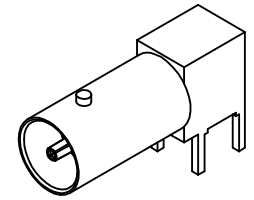


MATERIALS AND FINISHES

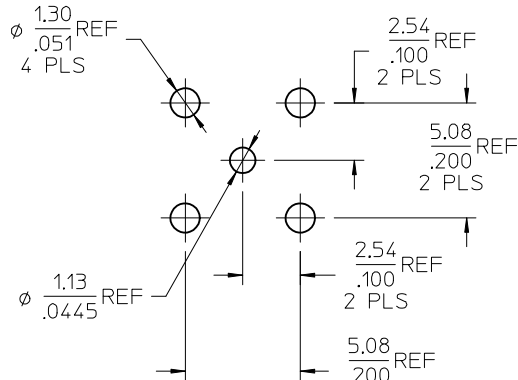
BODY BRASS  
PLATED SEE TABLE

CENTER CONTACT BERYLLIUM COPPER  
PLATED GOLD

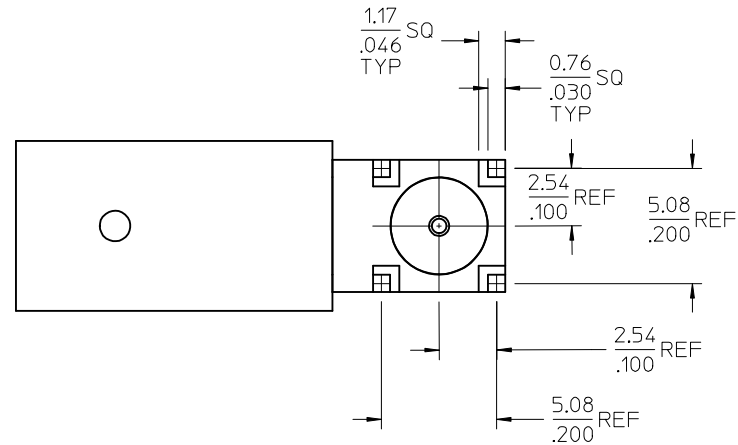
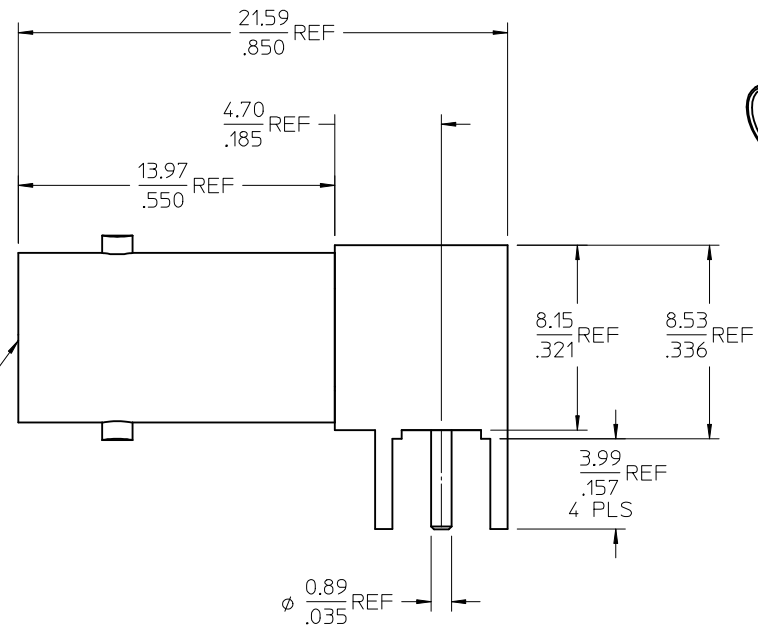
INSULATOR TEFLON



MINI BNC JACK  
INTERFACE



RECOMMENDED PCB  
LAYOUT



73171-2682	73171-2680, ONE PER BAG
73171-2681	GOLD/TRAY
73171-2680	NICKEL/TRAY
PART NO.	PLATING/PACKAGING

CHG: CORRECTED 73171-2680/81 TRAY WAS BULK PER RF15-E327 IEC NO: URF2016-0218 DRW: CME102 2015/09/16 CHKD: APPR: YCHENG 2015/09/18	QUALITY SYMBOLS	GENERAL TOLERANCES (UNLESS SPECIFIED)	DIMENSION STYLE	SCALE	DESIGN UNITS	THIRD ANGLE PROJECTION
	$\nabla=0$ $\nabla=0$	mm INCH 4 PLACES ± --- ± --- 3 PLACES ± --- ± --- 2 PLACES ± --- ± --- 1 PLACE ± --- ± --- ANGULAR ± 2°	MM/IN	DRAWN BY DATE SSS 2005/10/06 CHECKED BY DATE TEF 2005/10/06 APPROVED BY DATE JDW 2005/10/06	METRIC	MINI BNC JACK, R/A PCB, 75 OHMS, EWR-2924 MINI BNC-J/RA/PCB

DRAFT WHERE APPLICABLE MUST REMAIN WITHIN DIMENSIONS	MATERIAL NO.	DOCUMENT NO.	SHEET NO.
	SEE TABLE	SD-73171-268	1 OF 1

THIS DRAWING CONTAINS INFORMATION THAT IS PROPRIETARY TO MOLEX INCORPORATED AND SHOULD NOT BE USED WITHOUT WRITTEN PERMISSION
--

MOLEX INCORPORATED
--------------------