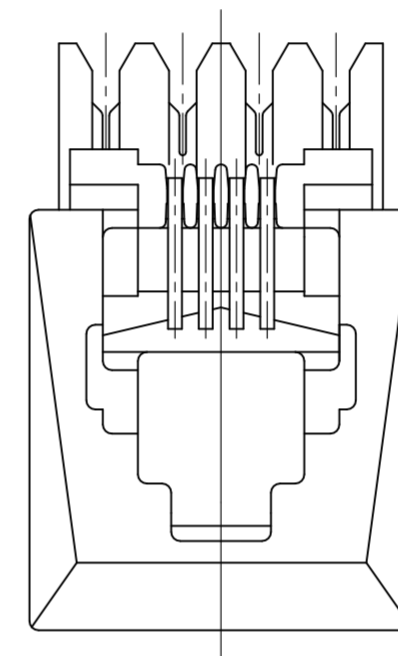
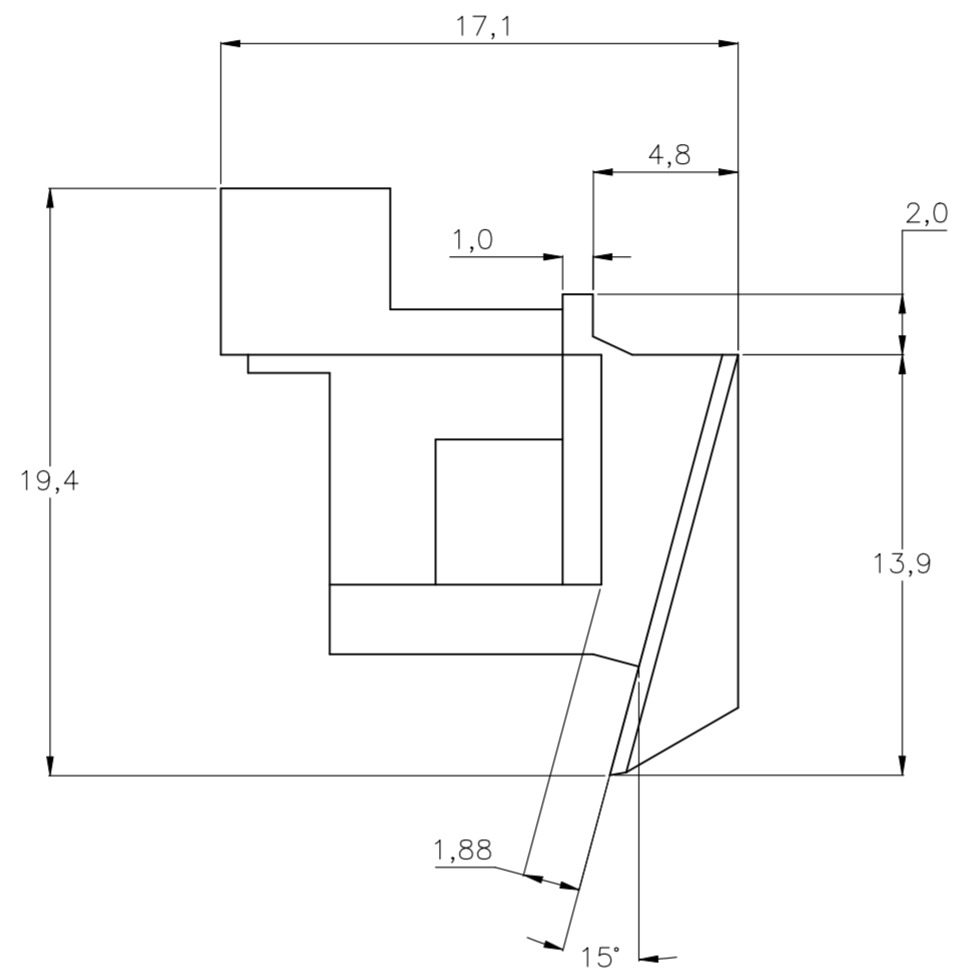
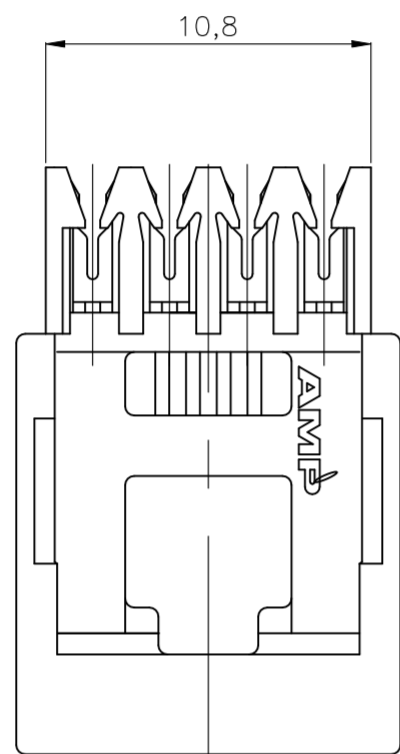
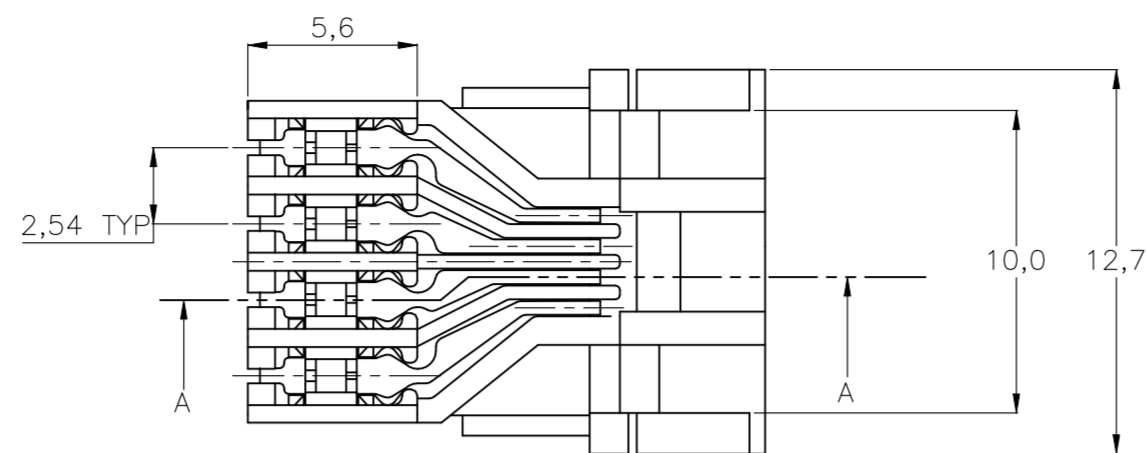


REVISIONS					
P	LTR	DESCRIPTION	DATE	DWN	APVD
V2		REVISED PER ECN-22-180673	09NOV2022	AB	SZ
V1		ECR-08-012368	08-07-08	AEG	WRV
V		ECR-06-013127	31-05-06	MO	-

NOTES:

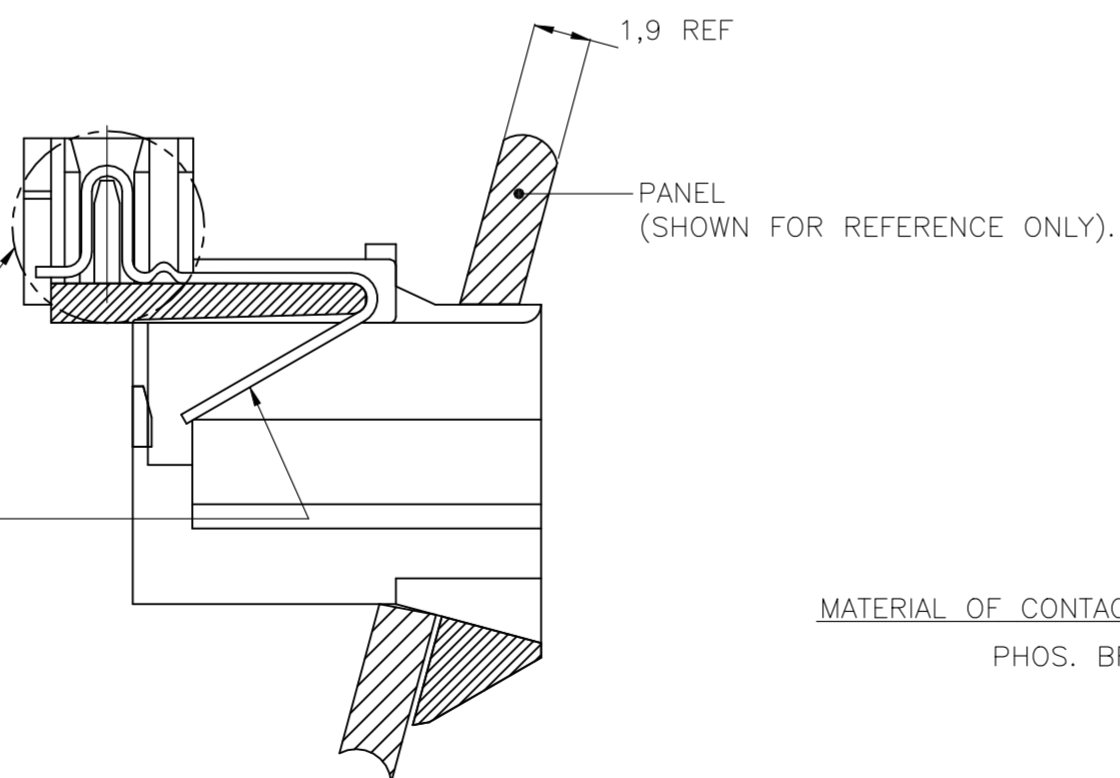
- FOR APPLICATION INFORMATION SEE TE SPECIFICATION 114-19005.
- FOR PERFORMANCE REQUIREMENTS SEE TE SPECIFICATION 108-19039.



CONTACT PLATING IN THIS AREA :
1.25µm MIN. TIN.

CONTACT AREA GOLD PLATING THICKNESS :
SEE TABLE.

UNDERPLATING ON ENTIRE CONTACT :
1.25µm MIN. NICKEL.



SECTION A-A

OBSOLETE	600 PCS. ON		ABS	2-166925-5
OBSOLETE	60 cm DIA. REEL		COLOR-BLACK, METALLIC FILTER	166925-5
	3000 PCS IN A BOX			2-166925-3
OBSOLETE	600 PCS. ON	1.2 µm	ABS	166925-3
	60 cm DIA. REEL		COLOR-GREY (RAL 9002)	
OBSOLETE	3000 PCS IN A BOX		NYLON, 13%G.F.	166925-1
			COLOR-BLACK	
	PACKAGING	GOLD PLATING IN CONTACT AREA	HOUSING MATERIAL	ORDER NUMBER

THIS DRAWING IS A CONTROLLED DOCUMENT.		DWN	05NOV92		
		CHK	-		
		APVD	-		
		PRODUCT SPEC	-		
DIMENSIONS:		TOLERANCES UNLESS OTHERWISE SPECIFIED:		NAME	
mm		0 PLC ± -		MODULAR JACK, 4 POS./4 CONT	
		1 PLC ± -		FLANGED, WITH INSULATION DISPLACEMENT CONTACTS	
		2 PLC ± -		SIZE	
		3 PLC ± -		CAGE CODE	
		4 PLC ± -		DRAWING NO	
		ANGLES ± -		RESTRICTED TO	
MATERIAL		FINISH		WEIGHT	
SEE NOTES		SEE NOTES		0.000000	
				A2 00779 C=166925	
				CUSTOMER DRAWING	
				SCALE NTS SHEET 1 of 1 REV V2	