

## **USER MANUAL**

### **Complex CMX-12GSDI-TR 12G SDI Over Singlemode Fiber Extender**



#### **FEATURES**

- Extends up to 6.25 miles over Singlemode Fiber
- SFP Based for Faster Connectivity
- Meets SMPTE ST 2082-1 & ST 2082-2 Standards
- 1 Reclocking SDI Loop Out on TX
- Embedded Audio
- Immune to RP-198 Interference
- Input Signal Detection LED
- Cable EQ
- Rugged Metal Housing

#### **INCLUDES**

- Two 5VDC/2A Power Supplies
- One 12G-SDI Transmitter
- One 12G-SDI Receiver
- Two LC Singlemode SFPs

**CAMPLEX**

812 Kings Highway • Saugerties, NY  
12477 [www.complex.com](http://www.complex.com)

## CMX-12GSDI-TR TRANSMITTER TX



- 1 SDI Input—Connect to Source
- 2 Power LED
- 3 Signal LED
- 4 Power Supply Connection
- 5 Loopout
- 6 Output



5VDC/2A Power Supply

## CMX-12GSDI-TR RECEIVER RX

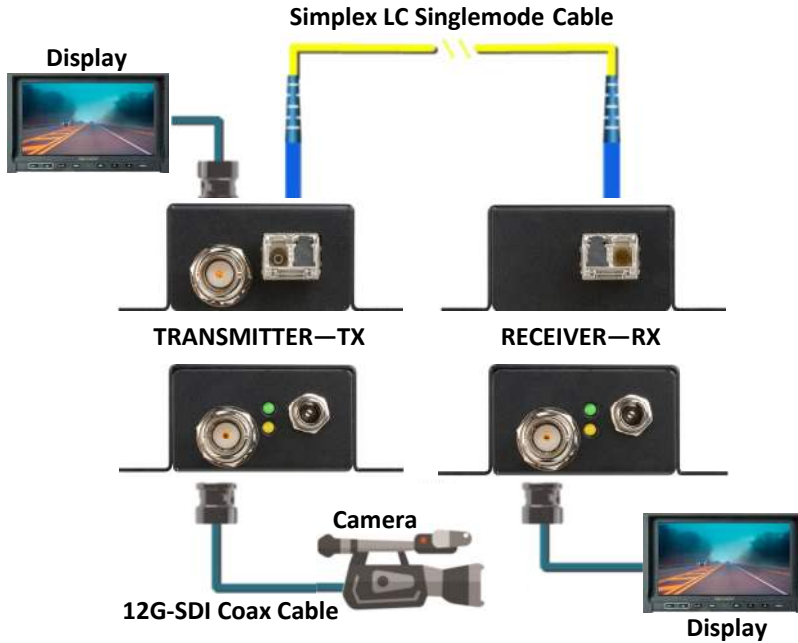


- 1 SDI Input—Connect to Display
- 2 Power LED
- 3 Signal LED
- 4 Power Supply Connection
- 5 Input



5VDC/2A Power Supply

## CONNECTION DIAGRAM



## CMX-12GSDI-TR SPECIFICATIONS

SDI Standards	12GSDI/6GSDI/3GSDI/HD-SDI/SD-SDI
Transmission Distance	6.25 Miles Singlemode
Video Support	HD 720p50/59.94/60, 1035i50/59.94/60, 1080i50/59.94/60, 1080p24/30, 1080p60, 1080p59.94, 4K2Kp30, 4K2Kp60, SD NTSC@59.94Hz, PAL@50Hz
Data Rates	270 / 1483 / 1485 / 2967 / 2970 / 5940 / 11880 Mbps
Video Bandwidth	2.97Gpbs & 2.97/1.001Gpbs
Supports	SMPT E 259M (270Mbps / 360Mbps), DVB ASI (270Mbps) SMPT E 292M / HDTV (1.485Gpbs and 1.485/1.001Gpbs) SMPT E 424M / HDTV (2.97Gpbs and 2.97/1.001Gpbs) SMPT E 2082-1 / HDTV (5.94Gpbs and 5.94/1.001Gpbs) SMPT E 2082-2 / HDTV (11.88Gpbs and 11.88/1.001Gpbs)
Audio	Embedded Audio
Dimensions/ Weight	2.9 x 2.9 x 1.0 in / 7.4 oz

# **CAMPLEX**<sup>®</sup>

## **BROADCAST FIBER OPTIC SOLUTIONS**



### **SAFETY PRECAUTIONS**



1. To prevent fire or shock hazard, do not expose this equipment to high humidity and/or dust. Do not use in an unprotected outdoor installation nor any area classified as overly damp or wet.
2. The temperature for installation should be between 32°F to 140°F (0°C to 60°C). Avoid direct sunlight exposure or extreme changes of temperature over a short period of time.
3. Do not disassemble the unit or place it on an unstable base.
4. Do not drop the unit and avoid heavy impact.
5. This unit should not be placed in a built-in installation unless proper ventilation is provided. Any openings in the enclosure must not be blocked or covered as they protect the unit from overheating.
6. Before cleaning, unplug the unit from all connections. Use a clean, slightly damp cloth. Do not use liquid or aerosol cleaners. Use appropriate cleaning kits for fiber optic cables.
7. Do not overload outlets and extension cords as this could result in a fire or electric shock.
8. Enclosure entry is dangerous. Never push objects of any kind, including liquids, into this unit through openings as they may touch dangerous voltage points or short-out parts that could result in a fire or electric shock.
9. Do not attempt to open or service this unit yourself as opening or removing covers may expose you to dangerous voltage and other hazards.
10. There are no user-serviceable parts inside the unit. If the unit requires service contact your authorized dealer, or an authorized repair service company.

### **Warranty**

Complex warrants the CMX-12GSDI-TR to be free from defects in the material and workmanship for one year from the date of purchase. Should this product fail to be in good working order within the one year warranty period, Complex, at its option, will repair or replace the unit, provided the unit has not been subjected to accident, disaster, abuse, or any unauthorized modifications including static discharge and power surges.

The content of this manual has been carefully reviewed and is believed to be accurate. Complex assumes no responsibility for any inaccuracies that may be contained in this manual. Complex will not be liable for direct, indirect, incidental, special, or consequential damages resulting from any defect or omission in this manual, even if advised of the possibility of such damages. The technical information contained herein is subject to change without notice.

---

**CAMPLEX**

812 Kings Highway • Saugerties, NY

12477 [www.complex.com](http://www.complex.com)

11/17/2017Rev