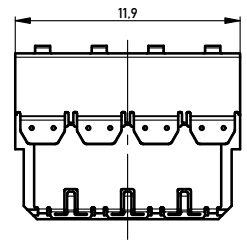
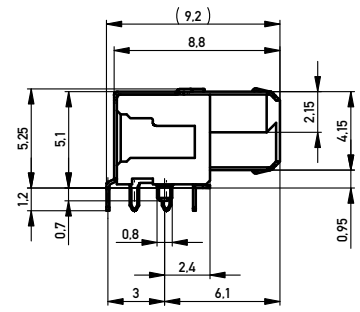
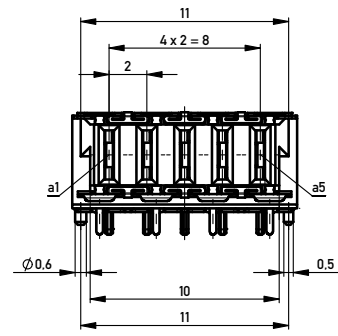
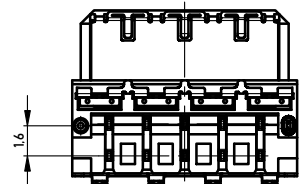
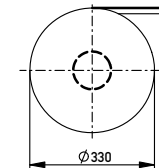
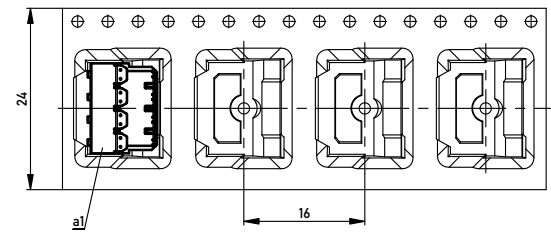


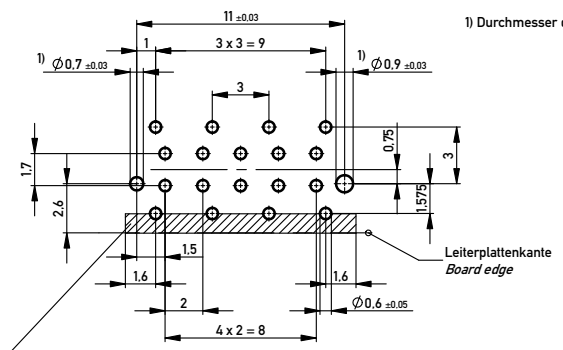
Verpackt im Gurt in Anlehnung an DIN IEC 60286-3
 Tape on Reel Packaging according to DIN IEC 60286-3
 Verpackungseinheit: 500 Stück
 Packaging unit: 500 pcs



Abspulrichtung - Reel off Direction



Leiterplatten-Layout Vorschlag / PCB-layout proposal



1) Durchmesser des Bohrers / Drill tool

Schirmblechauflagefläche berücksichtigen.
 keine Durchkontaktierungen oder Leitungen möglich!
 Consider shielding contact area, no vias or traces possible!

Anforderungsstufe 1
 Performance Level 1

Kontaktbereich vergoldet
 Mating Area gold plating

Anschlussbereich verzinkt 4-6 µm
 Terminal Area 4-6 µm tin plating

Information:		Tolerances		Scale	5:1
All rights reserved. Only for Information. To ensure that this is the latest version of this drawing, please contact one of the ERNI companies before using.		All Dimensions in mm		Designation	
		Subject to modification without prior notice. Drawing will not be updated.		MSpeed Federl. 90° PM THR MSpeed female 90° PM THR	
				www.ERNI.com	
				394571	
f	27.05.2015			I	
Index	Date			A2	
				Class	MSPPM

Copyright by ERNI Production GmbH & Co. KG
 Proprietary notice pursuant to §90 100ff. to be observed