

**Style**  
M8 Plug, shielded  
3 pin  
A-coding

**Ratings**  
Voltage: 60V  
Current: 3A

**Operating Temperature Range**  
-40~105 °C

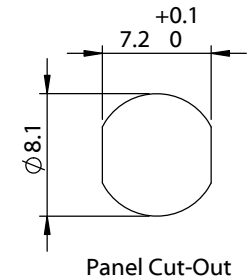
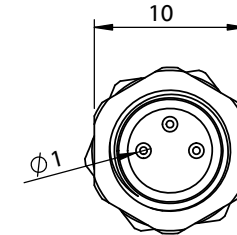
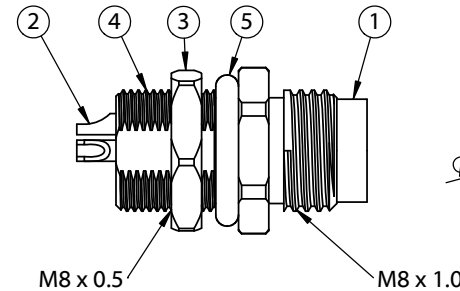
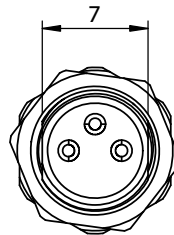
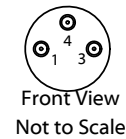
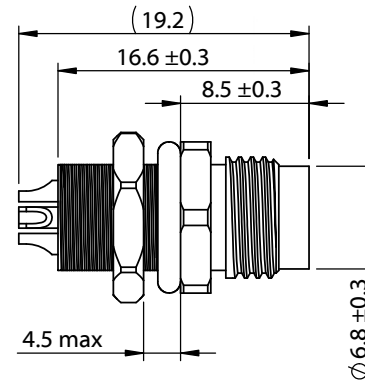
**Materials**  
① Insulator: PA66, UL 94 HB, black  
② Pin: C3604 brass, gold flashing  
③ Nut: C3604 brass, nickel plated  
④ Shell: C3604 brass, nickel plated  
⑤ O-ring: Nitrile rubber, black

**Electrical Requirements**  
Dielectric strength: 1 min @ 500 Vac  
Insulation resistance: 100 MΩ @ 500 Vdc  
Contact resistance: 10 mΩ or less

**Mechanical Requirements**  
Life cycle: 1000 mating cycles minimum

**Environmental Requirements**  
Salt spray test: 35 °C, relative humidity 90-95%, 5% NaCl mist for 24 hrs. Wash parts after test. Maintain mechanical requirements and a contact resistance of less than 10 mΩ.  
Waterproof: IP67

**Assembly Info**  
Wire gauge: 24 AWG max



Revision:	Date:	Description:
A	8/26/21	Initial Release

Prepared:  
**JD**  
Digitally signed by JD  
Date: 2021.12.30  
11:35:16 -08'00'

Verified:  
**AG**  
Digitally signed by AG  
Date: 2021.12.30  
17:42:06 -08'00'

Dimensions are in millimeters.  
Tolerances:  
X: ± 0.3 mm  
X.X: ± 0.1 mm  
X.XX: ± 0.05 mm

Notes:  
RoHS compliant

Function test: no open, no short circuit, no intermittent

Description:  
Connector, 3 pin M8 A-code plug, 8x19.2 mm, gold plated, panel mount, solder cup, IP67

**TENSILITY**

tel 1.541.323.3228 800 877.670.7118  
fax 1.541.323.4202 web tensility.com

Size:	Part number:
A	54-00294
Scale: 2:1	