

1445421-3 ✓ ACTIVE

AMP | AMP CPC

TE Internal #: 1445421-3

Circular Power Connectors, Housing, 250 VDC, 30 – 18 AWG Wire Size, .0509 – .823 mm² Wire Size, Wire-to-Wire, 4 Position, Sealable, AMP CPC

[View on TE.com >](#)



Connectors > Power Connectors > Circular Power > Circular Power Connectors > Mini Circular Plastic Connectors (CPC)



Connector Product Type: **Housing**

Operating Voltage: **250 VDC**

Wire Size: **.0509 – .823 mm²**

Connector System: **Wire-to-Wire**

[All Mini Circular Plastic Connectors \(CPC\) \(53\)](#)

Features

Product Type Features

| | |
|-----------------------------------|-----------------------------|
| Connector Seal & Plug Type | Peripheral, Wire Entry Seal |
| Connector Product Type | Housing |
| Connector System | Wire-to-Wire |
| Sealable | Yes |
| Connector & Contact Terminates To | Wire & Cable |
| Connector & Housing Type | Receptacle |
| Circular Connector Shell Type | All Plastic |

Configuration Features

| | |
|----------------------------|---|
| Number of Positions | 4 |
| Number of Power Positions | 0 |
| Number of Signal Positions | 4 |

Electrical Characteristics

| | |
|-------------------|---------|
| Operating Voltage | 250 VAC |
|-------------------|---------|



Contact Features

| | |
|------------------------------|-------|
| Reverse Gender | No |
| Contact Type | Pin |
| Contact Current Rating (Max) | 7.5 A |

Termination Features

| | |
|------------------------------------|-------|
| Termination Method to Wire & Cable | Crimp |
|------------------------------------|-------|

Mechanical Attachment

| | |
|-------------------------|----------------------------------|
| Mating Alignment | With |
| Mating Retention Type | Threaded Coupling |
| Thread Size | 5/8-24 UNEF-2A and 1/2-20 UNF-2A |
| Connector Mounting Type | Panel Mount |
| Mating Retention | With |
| Panel Mount Feature | With |

Housing Features

| | |
|-------------------------------|---------------|
| Housing Color | Black |
| Housing Material | Thermoplastic |
| Circular Connector Shell Size | 8 |

Dimensions

| | |
|--------------------------------------|------------------------------|
| Compatible Insulation Diameter Range | 1.5 mm[.059 – .11 in] |
| Wire Size | .0509 – .823 mm ² |

Usage Conditions

| | |
|-----------------------------|----------------------------|
| Operating Temperature Range | -55 – 105 °C[-67 – 221 °F] |
| Fluid Resistance | Immersion |

Operation/Application

| | |
|---------------------|----------------|
| Circuit Application | Power & Signal |
| Shielded | No |

Industry Standards

| | |
|------------------------|----------|
| UL Flammability Rating | UL 94V-0 |
|------------------------|----------|

Packaging Features

| | |
|--------------------|--------|
| Packaging Quantity | 100 |
| Packaging Method | Carton |



Product Compliance

[For compliance documentation, visit the product page on TE.com>](#)

| | |
|---|---|
| EU RoHS Directive 2011/65/EU | Compliant |
| EU ELV Directive 2000/53/EC | Compliant |
| China RoHS 2 Directive MIIT Order No 32, 2016 | No Restricted Materials Above Threshold |
| EU REACH Regulation (EC) No. 1907/2006 | Current ECHA Candidate List: JUNE 2023 (235) Candidate List Declared Against: JUNE 2022 (224) Does not contain REACH SVHC |
| Halogen Content | Not Low Halogen - contains Br or Cl > 900 ppm. |
| Solder Process Capability | Not reviewed for solder process capability |

Product Compliance Disclaimer

This information is provided based on reasonable inquiry of our suppliers and represents our current actual knowledge based on the information they provided. This information is subject to change. The part numbers that TE has identified as EU RoHS compliant have a maximum concentration of 0.1% by weight in homogenous materials for lead, hexavalent chromium, mercury, PBB, PBDE, DBP, BBP, DEHP, DIBP, and 0.01% for cadmium, or qualify for an exemption to these limits as defined in the Annexes of Directive 2011/65/EU (RoHS2). Finished electrical and electronic equipment products will be CE marked as required by Directive 2011/65/EU. Components may not be CE marked. Additionally, the part numbers that TE has identified as EU ELV compliant have a maximum concentration of 0.1% by weight in homogenous materials for lead, hexavalent chromium, and mercury, and 0.01% for cadmium, or qualify for an exemption to these limits as defined in the Annexes of Directive 2000/53/EC (ELV). Regarding the REACH Regulation, the information TE provides on SVHC in articles for this part number is based on the latest European Chemicals Agency (ECHA) 'Guidance on requirements for substances in articles' posted at this URL: <https://echa.europa.eu/guidance-documents/guidance-on-reach>

Compatible Parts

| | | | |
|---|--|--|--|
| | | | |
| <p>TE Part # CAT-AM71-C83998EE Mini Circular Plastic Connectors (CPC)</p> | <p>TE Part # 1604089-1 CAP, DUST, SIZE 8</p> | <p>TE Part # 1604196-1 NUT, JAM, 5/8-24, PKG QTY 100</p> | <p>TE Part # 1-770988-1 MINI UMNL SOK 22-18AWG LP LF</p> |




TE Part # 1-770985-0
MINI UMNL PIN 26-22AWG AU LP



TE Part # 1-770987-0
MINI UMNL PIN 22-18 AWG AU LP



TE Part # 770988-3
MINI UMNL SOK 22-18AWG AU LP



TE Part # 1-770988-0
MINI UMNL SOK 22-18AWG AU



TE Part # 1-794059-0
MINI UMNL PIN L/P LF



TE Part # 770988-1
MINI UMNL SOK 22-18AWG SN LP



TE Part # 770986-1
MINI UMNL SOK 26-22AWG SN LP



TE Part # 794058-1
MINI UMNL SOK L/P



TE Part # 770985-1
MINI UMNL PIN 26-22AWG SN LP



TE Part # 770903-3
MINI UMNL PIN 22-18 AWG AU



TE Part # 794059-1
MINI UMNL PIN L/P



TE Part # 1-770902-1
MINI UMNL SOK 26-22 AWG AU LF



TE Part # 770902-3
MINI UMNL SOK 26-22 AWG AU



TE Part # 1-770901-0
MINI UMNL PIN 26-22 AWG AU LF




TE Part # 1-770835-0
MINI UMNL PIN AU LF




TE Part # 1-770903-0
MINI UMNL PIN 22-18 AWG AU


Also in the Series | AMP CPC




Circular Connector Adapters(7)



Circular Connector Caps & Covers(16)



Circular Connector Hardware(3)



Circular Connector Keying Plugs(2)



Circular Power Connectors(459)



Connector Backshells(56)



Connector Seals & Cavity Plugs(36)



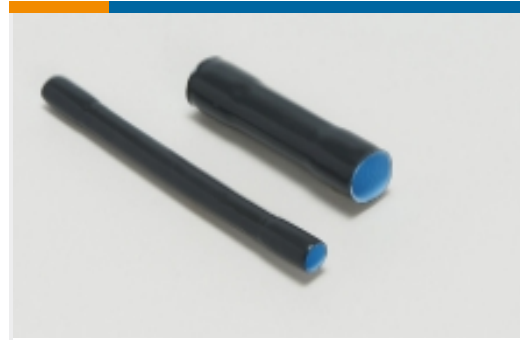
Connector Strain Relief(6)



Insertion & Extraction Tools(1)



Power Contacts(6)



Sealing Sleeves(2)

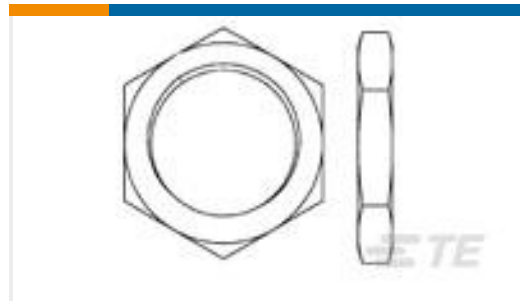
Customers Also Bought



TE Part #1445390-3
PLUG,8-4,LG INS,STD KEY



TE Part #1-1625999-0
HSC100 1K0 5%



TE Part #1604196-1
NUT,JAM,5/8-24,PKG QTY 100



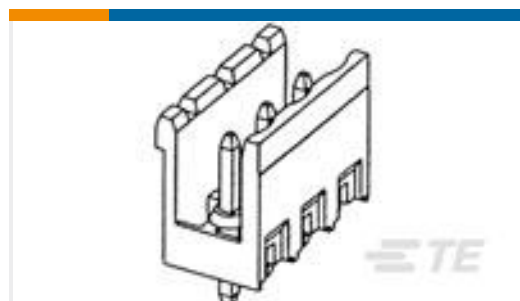
TE Part #1-87175-0
04 LOCKING CLIP HSG SR .100CL



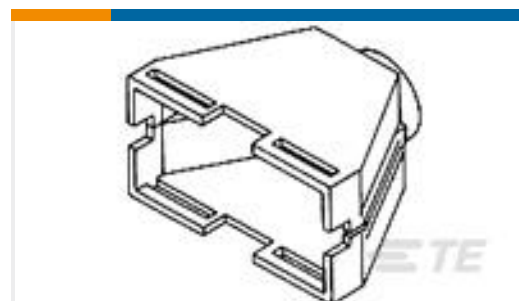
TE Part #1-770986-0
MINI UMNL SOK 26-22AWG AU LP



TE Part #1445420-1
SEAL,FLANGE, SIZE 8/M13.5



TE Part #282825-2
TERMI-BLOCK HEADER,ASSY90 2P.5,



TE Part #480594-1
36P STR/REL HSG HNGD V0



TE Part #2-380937-0
MR SPLT GROMET .312 DIA BLK LF



TE Part #NB16352001
RW-175-1/4-X-STK

Documents



Product Drawings

[REC,8-4,FLNG MT,LG INS,STD KEY](#)

English

CAD Files

Customer View Model

[ENG_CVM_CVM_1445421-3_C1.2d_dxf.zip](#)

English

3D PDF

3D

Customer View Model

[ENG_CVM_CVM_1445421-3_C1.3d_igs.zip](#)

English

Customer View Model

[ENG_CVM_CVM_1445421-3_C1.3d_stp.zip](#)

English

By downloading the CAD file I accept and agree to the [Terms and Conditions](#) of use.

Datasheets & Catalog Pages

[1-1773902-9_CPC_Catalog](#)

English

[1-1773902-9_CPC_Catalog](#)

[1-1773902-9_CPC_Catalog](#)

German

[1-1773902-9_CPC_Catalog](#)

Japanese

[AMP Circular Connectors for Commercial Signal & Power Applications Continued](#)

English

Product Specifications

[Application Specification](#)

English