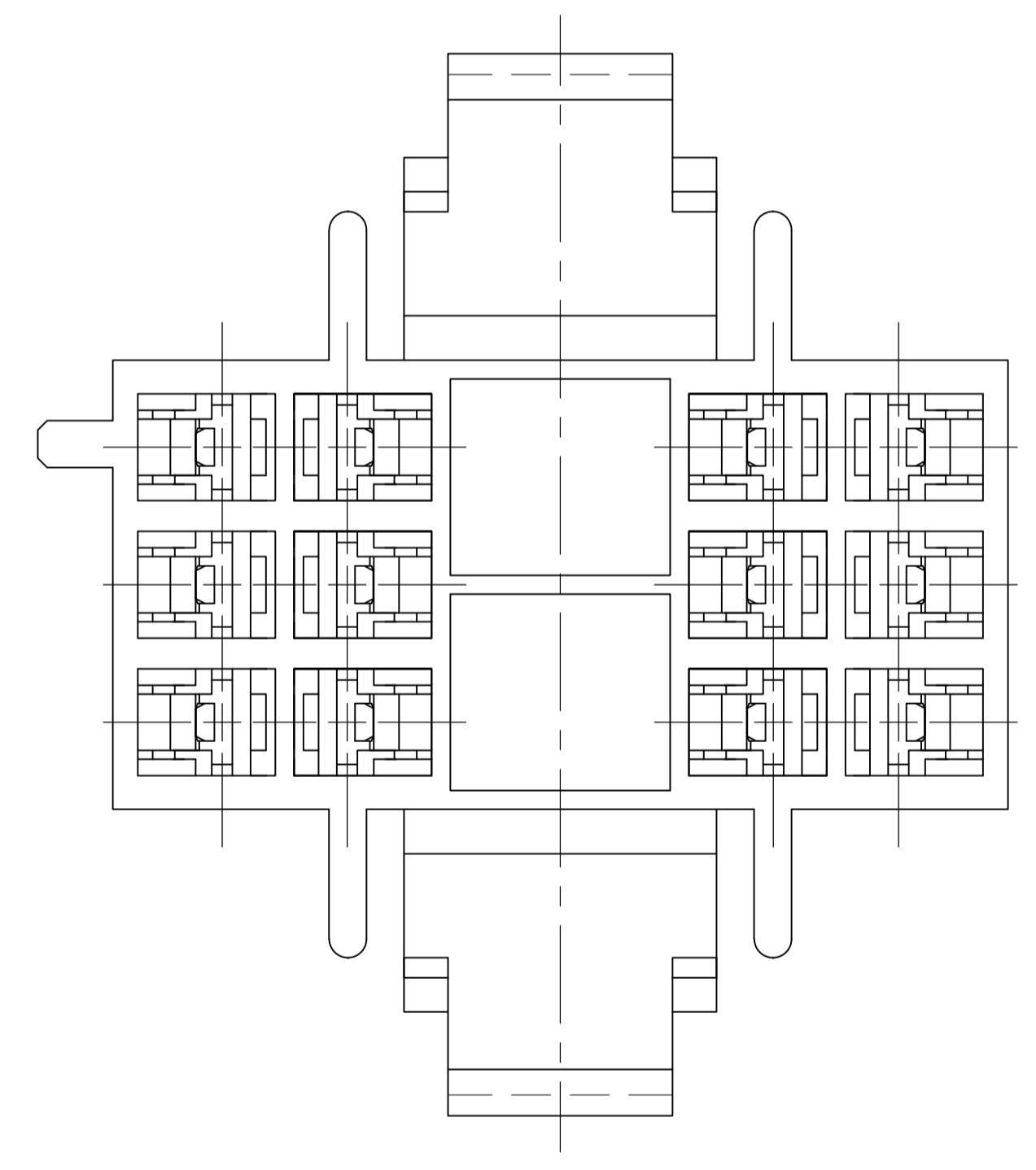
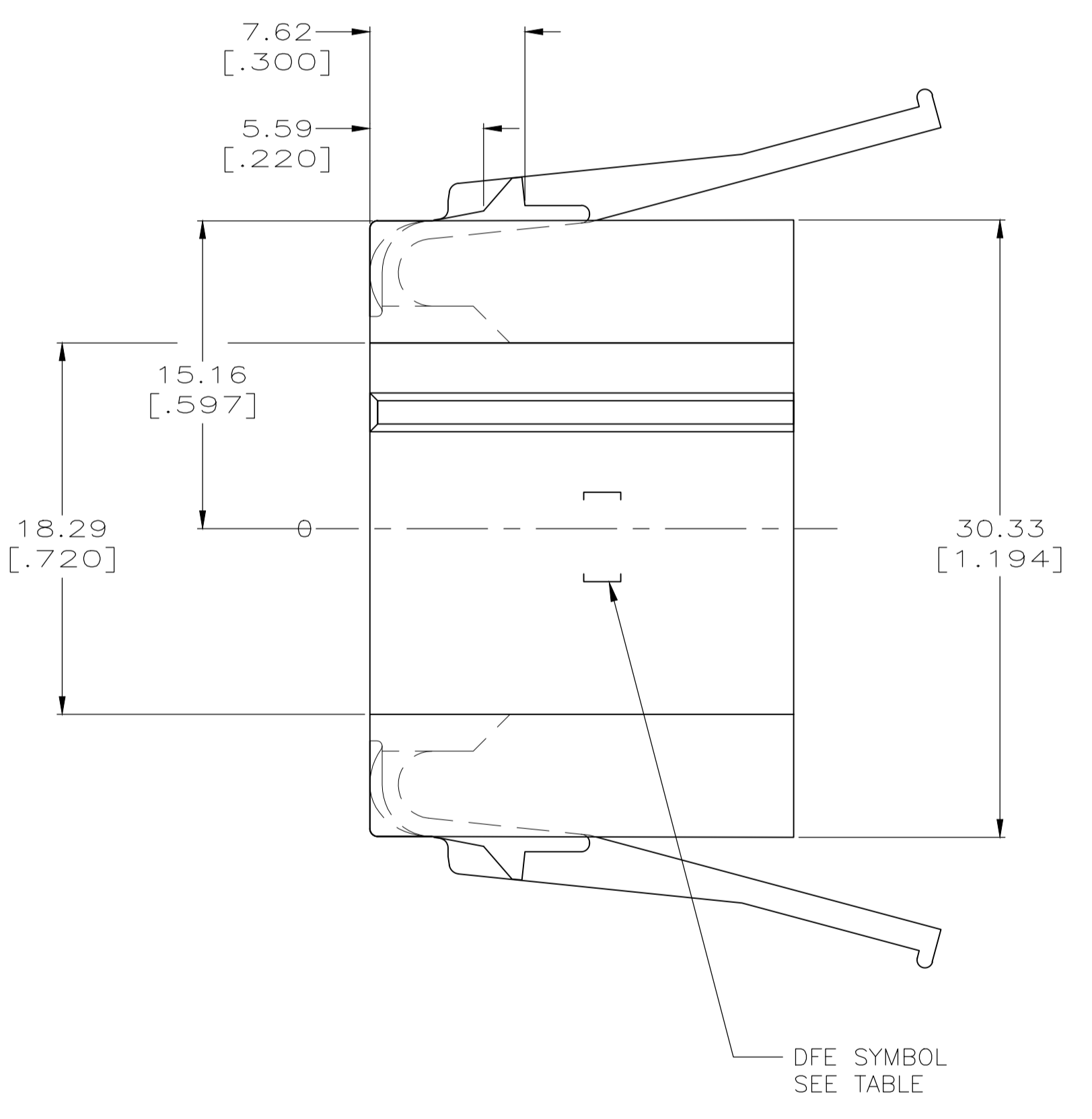
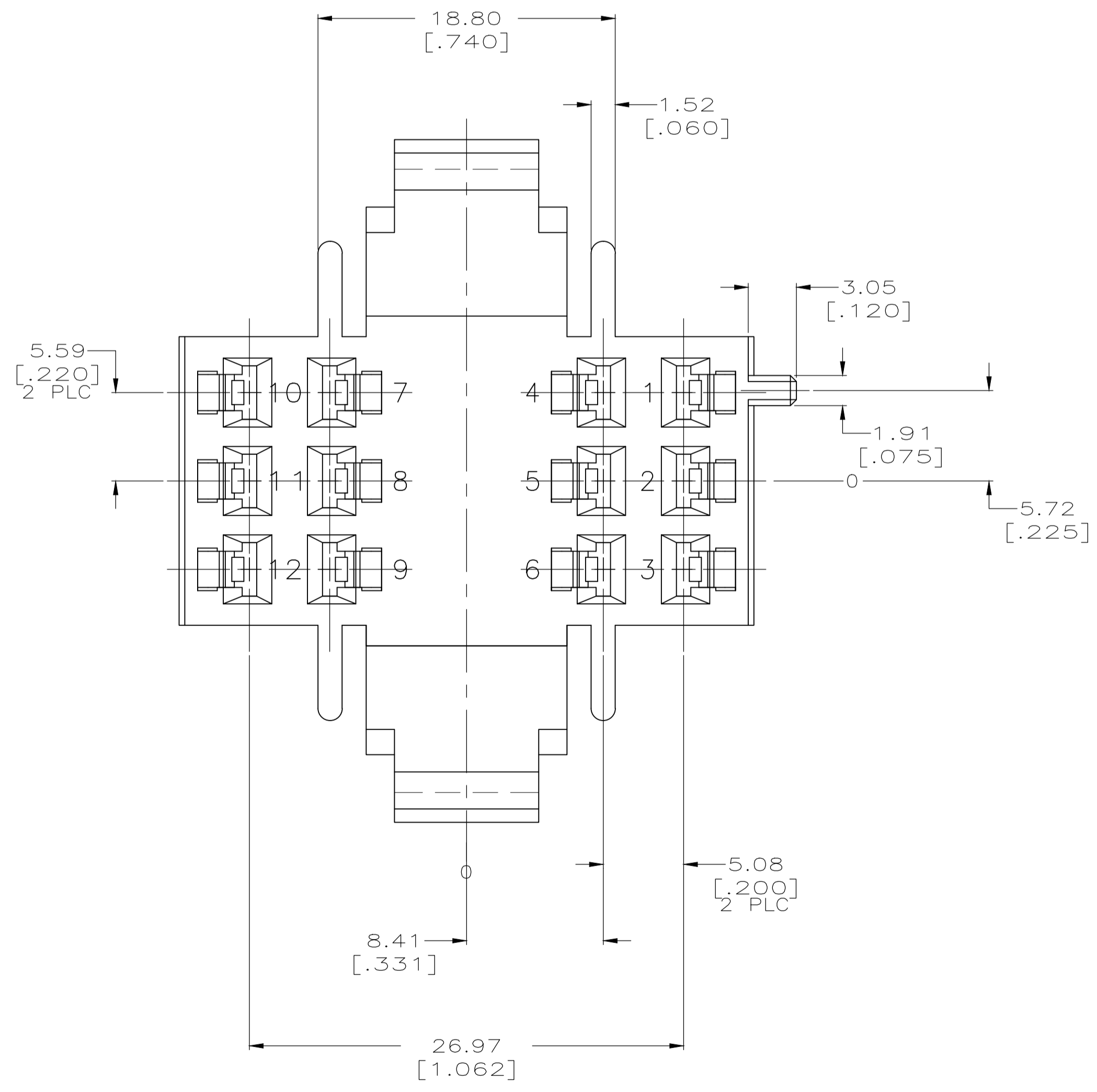
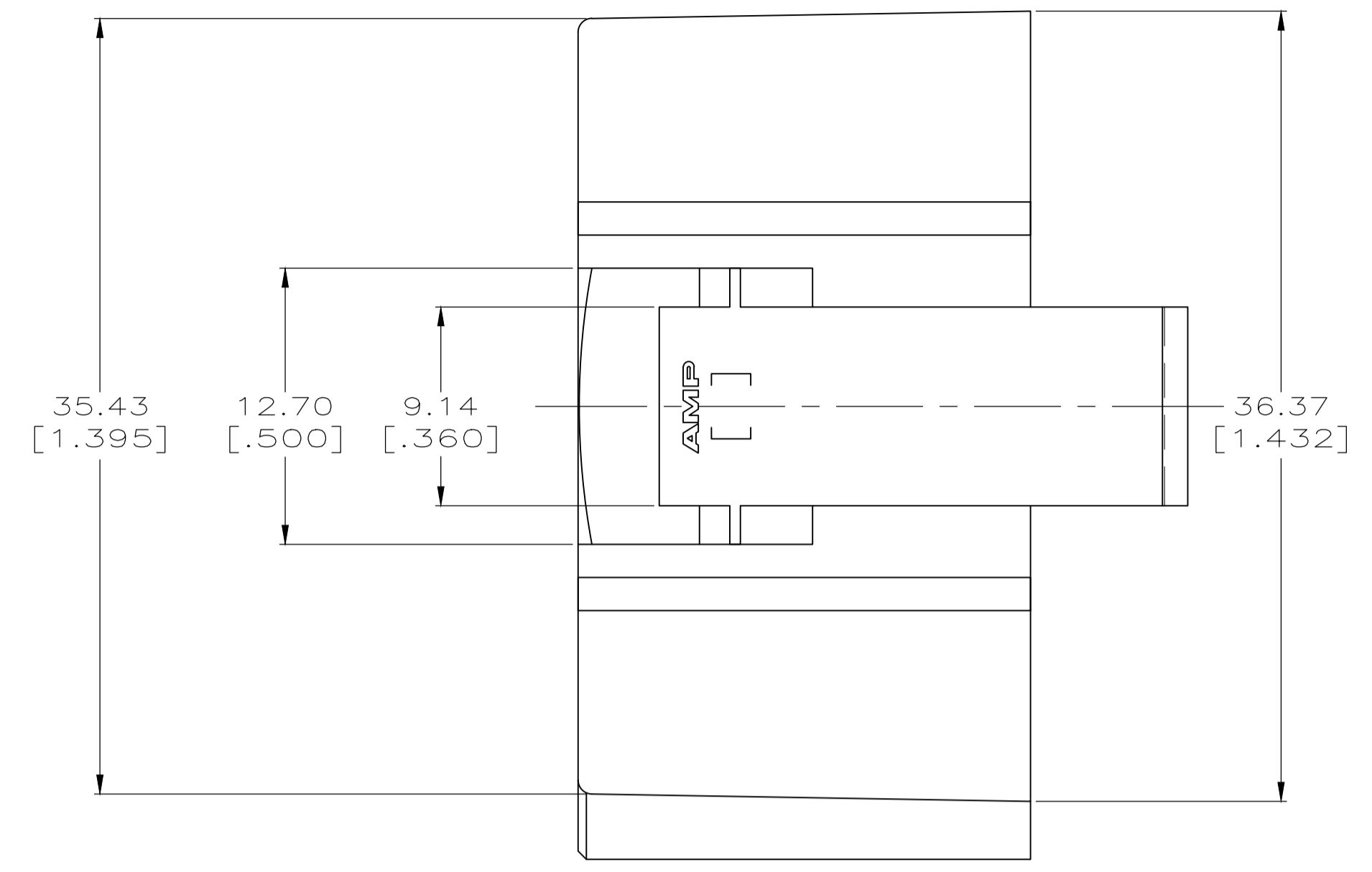


- HOUSING ACCEPTS RECEPTACLE CONTACT P/N 770642-1.
- CIRCUITS ARE ARRANGED IN A 5.08 X 5.59 [.200 X .220] GRID.



>PA666<	NYLON 66/6, UL 94V-0	521163-2
>PA66<	NYLON 6/6, UL 94V-2	521163-1
DFE SYMBOL	MATERIAL	PART NUMBER

THIS DRAWING IS A CONTROLLED DOCUMENT.		DMN: PHILLIP M. FORTNEY 01/JUL/98	STE TE Connectivity	
DIMENSIONS: mm		CHK: JEFF R. RUTH 01/JUL/98	NAME: HOUSING, TIMER CONNECTOR, 12 POSITION GEN 2	
TOLERANCES UNLESS OTHERWISE SPECIFIED:		APVD: DONALD DECKER 01/JUL/98	PRODUCT SPEC: 108-1271	
0 PLC ± -		APPLICATION SPEC: 114-49003	RESTRICTED TO: -	
1 PLC ± -		SIZE: A1	CAGE CODE: 00779	
2 PLC ± 0.25[.010]		DRAWING NO: 521163	SCALE: 4:1	
3 PLC ± -		WEIGHT: -	SHEET 1 OF 1	
4 PLC ± -		CUSTOMER DRAWING	REV D3	
ANGLES ± -				
FINISH: COLOR-BLACK				