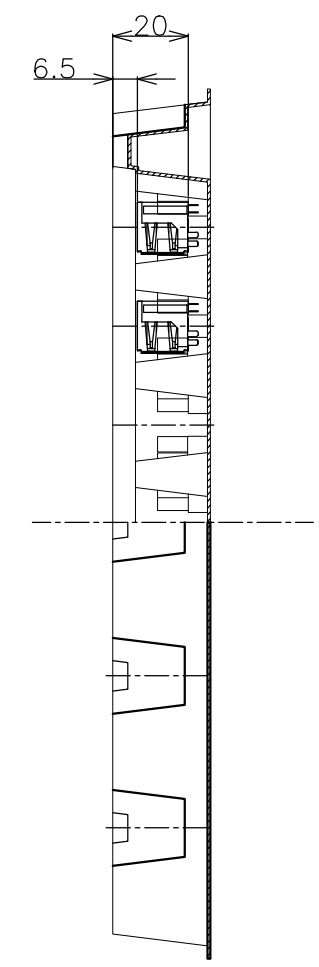
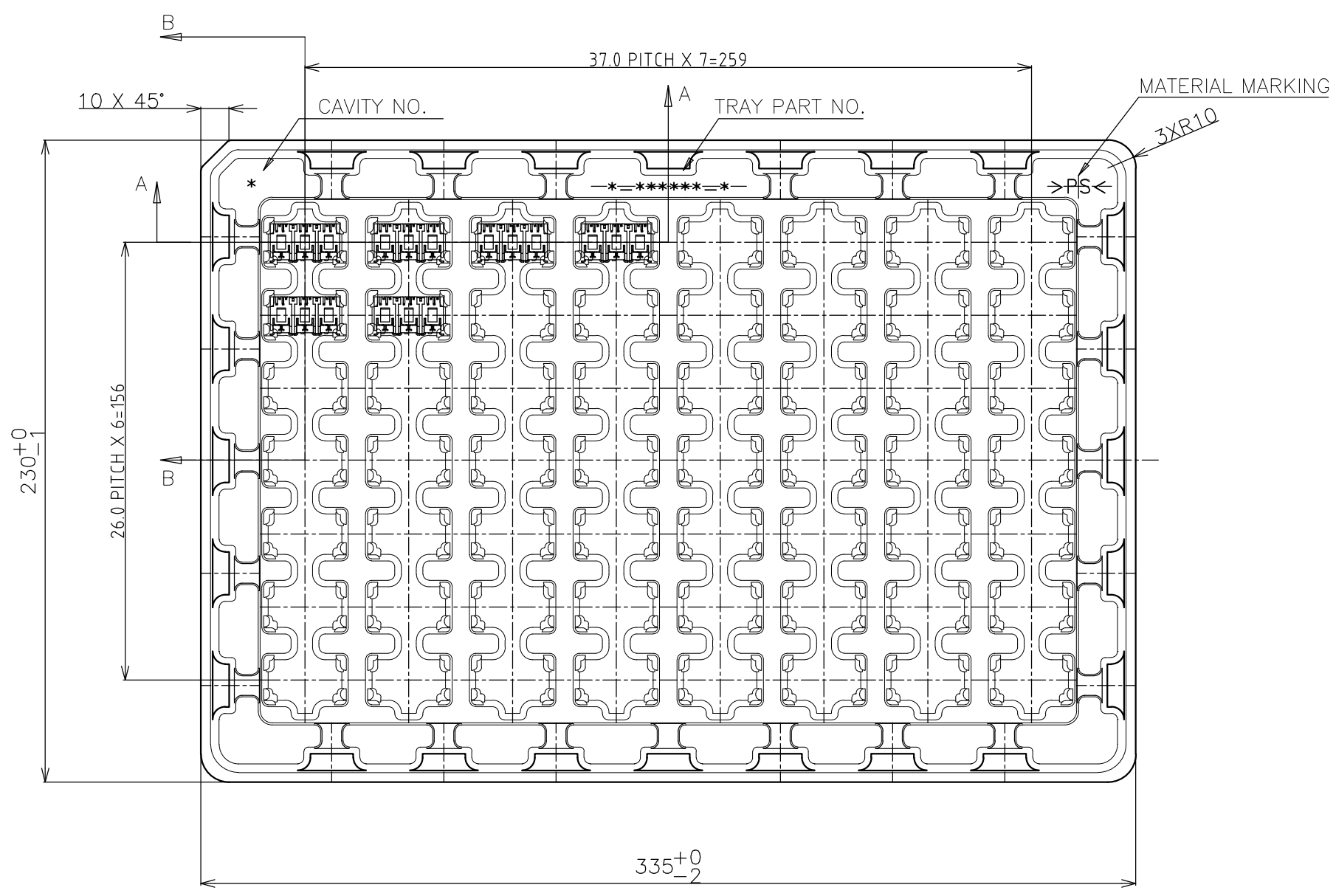
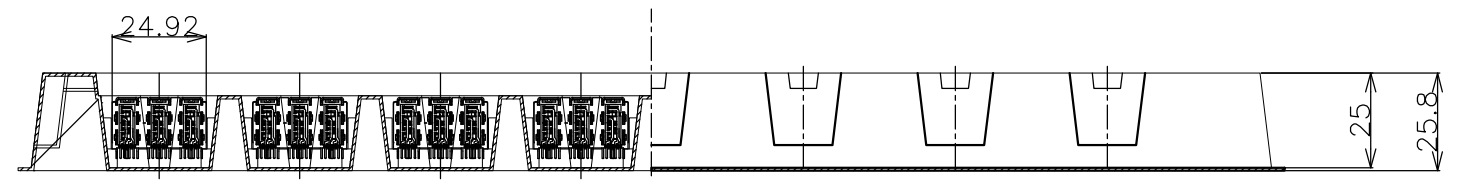


THIS DRAWING IS UNPUBLISHED. RELEASED FOR PUBLICATION
 © COPYRIGHT BY TYCO ELECTRONICS CORPORATION. ALL RIGHTS RESERVED.

LOC ES	DIST /	REVISIONS		
P	LTR	DESCRIPTION	DATE	DWN APVD
	P	REVISED PER ECR-15-016523	16NOV2015	T.Z H.W



SECTION B-B



SECTION A-A

Ⓟ OBSOLETE	△	1674456=3
	FINISH	PART NO.

THIS DRAWING IS A CONTROLLED DOCUMENT.		DWN B.WONG 30NOV05	Tyco Electronics Corporation Shanghai, P.R.China, 200233	
DIMENSIONS: MM		CHK G.ZHANG 30NOV05		
TOLERANCES UNLESS OTHERWISE SPECIFIED:		APVD S.YAO 30NOV05	NAME	
0 PLC ± 0.3 1 PLC ± 0.3 2 PLC ± 0.3 3 PLC ± 0.3 4 PLC ± 0.3 ANGLES ± 3°		PRODUCT SPEC	HARD TRAY ASSY USB CONNECTOR REC 3P	
MATERIAL		APPLICATION SPEC	SIZE	CAGE CODE
△ 1		WEIGHT	A3	00779
△ 2		CUSTOMER DRAWING	DRAWING NO	RESTRICTED TO
		SCALE	C-1674456	
		2:1	1 OF 3	
		SHEET	REV P	

THIS DRAWING IS UNPUBLISHED. RELEASED FOR PUBLICATION

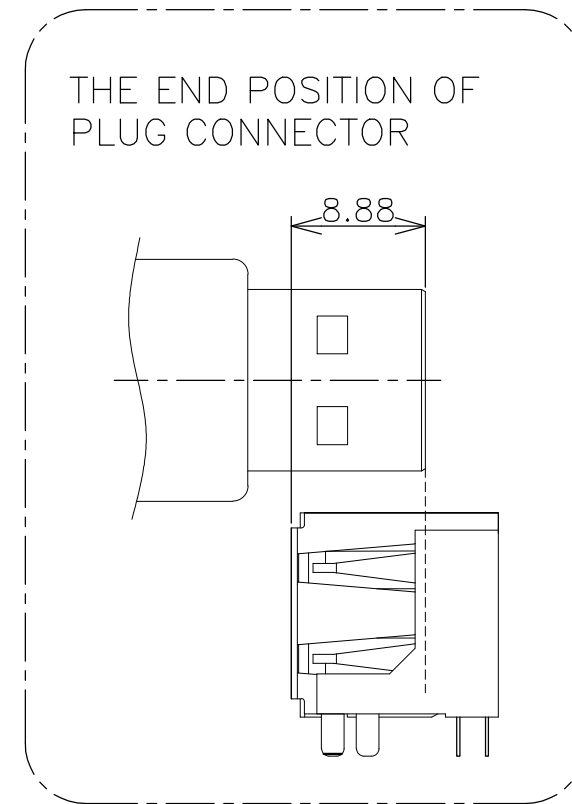
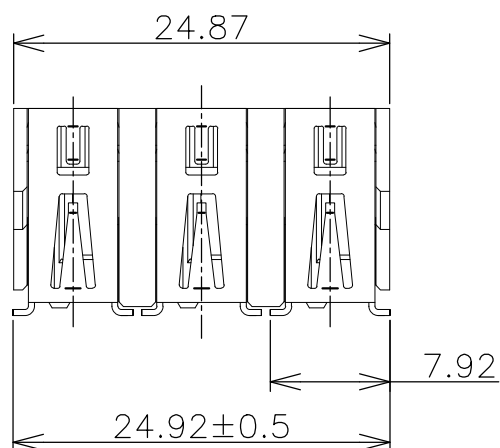
© COPYRIGHT BY TYCO ELECTRONICS CORPORATION. ALL RIGHTS RESERVED.

LOC ES DIST

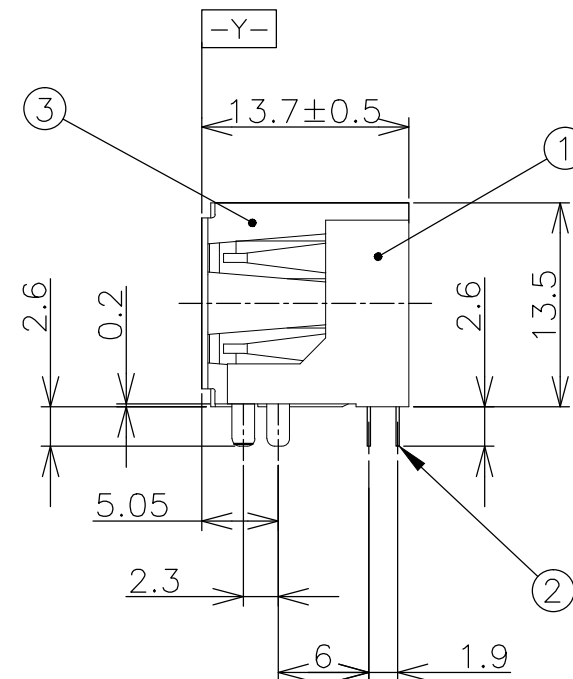
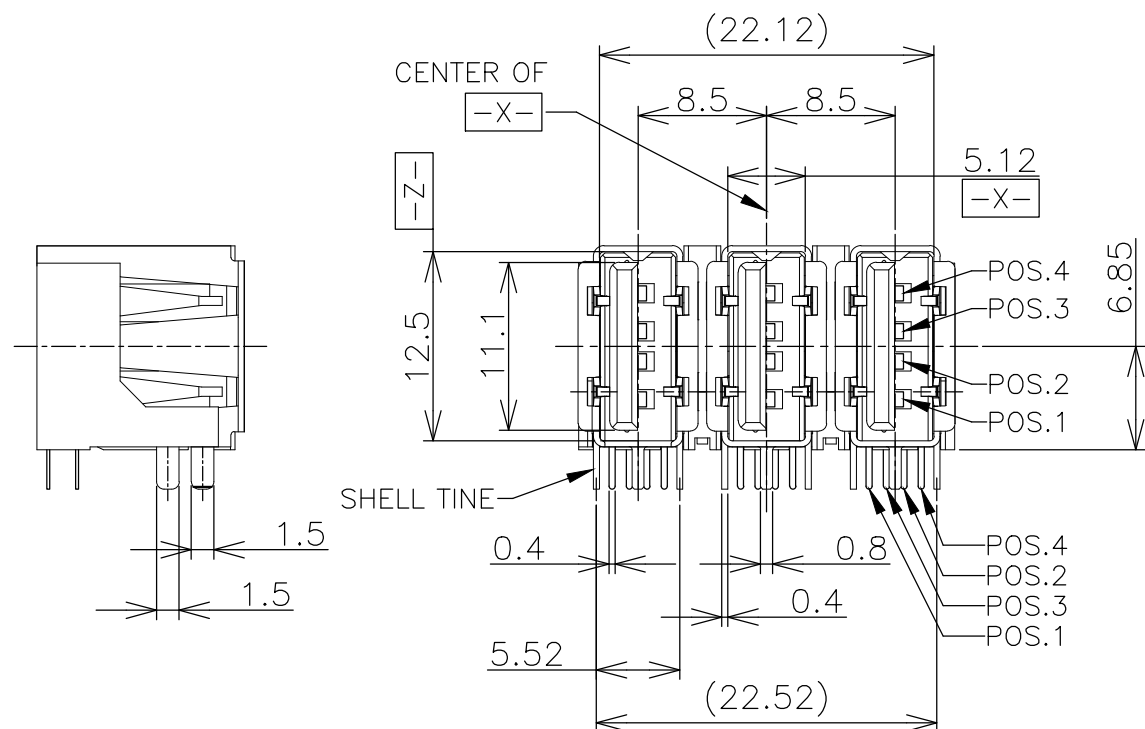
REVISIONS

P	LTR	DESCRIPTION	DATE	DWN	APVD
		SEE SHEET 1			

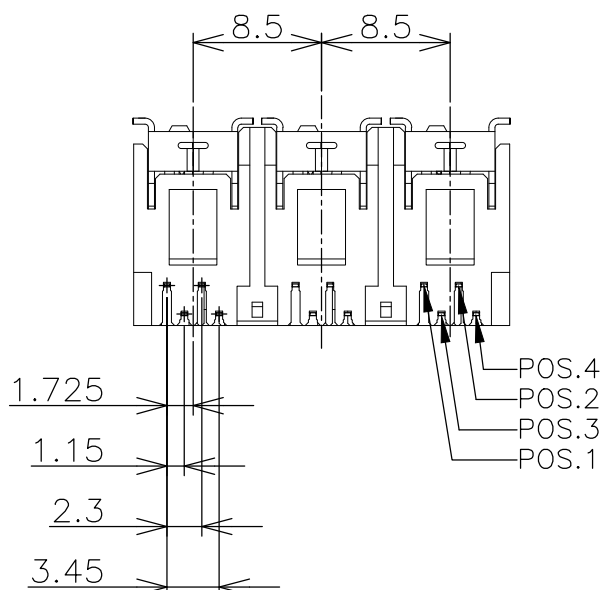
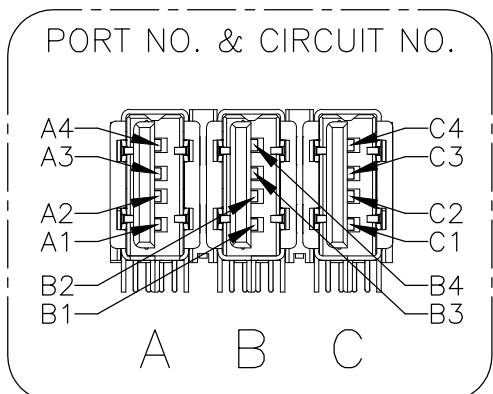
FRONT SHELL	③
CONTACT	②
HOUSING	①
NAME	ITEM No.



THE END POSITION OF PLUG CONNECTOR

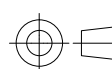


- ① MATERIAL
HOUSING: THERMO-PLASTICS UL94V-0 BLACK
CONTACT: COPPER ALLOY
FRONT SHELL: COPPER ALLOY
- ② FINISH
CONTACT: NICKEL UNDER PLATE ALL OVER.
CONTACT AREA: GOLD PLATE
TINE AREA: TIN PLATING
FRONT SHELL: TIN PLATE



THIS DRAWING IS A CONTROLLED DOCUMENT.

DIMENSIONS: MM



TOLERANCES UNLESS OTHERWISE SPECIFIED:	
0 PLC	± 0.3
1 PLC	± 0.3
2 PLC	± 0.3
3 PLC	± 0.3
4 PLC	± 0.3
ANGLES	± 3°
FINISH	

MATERIAL

DWN
CHK
APVD
PRODUCT SPEC
APPLICATION SPEC
WEIGHT

tyco Tyco Electronics Corporation
Shanghai, P.R.China, 200233

Electronics

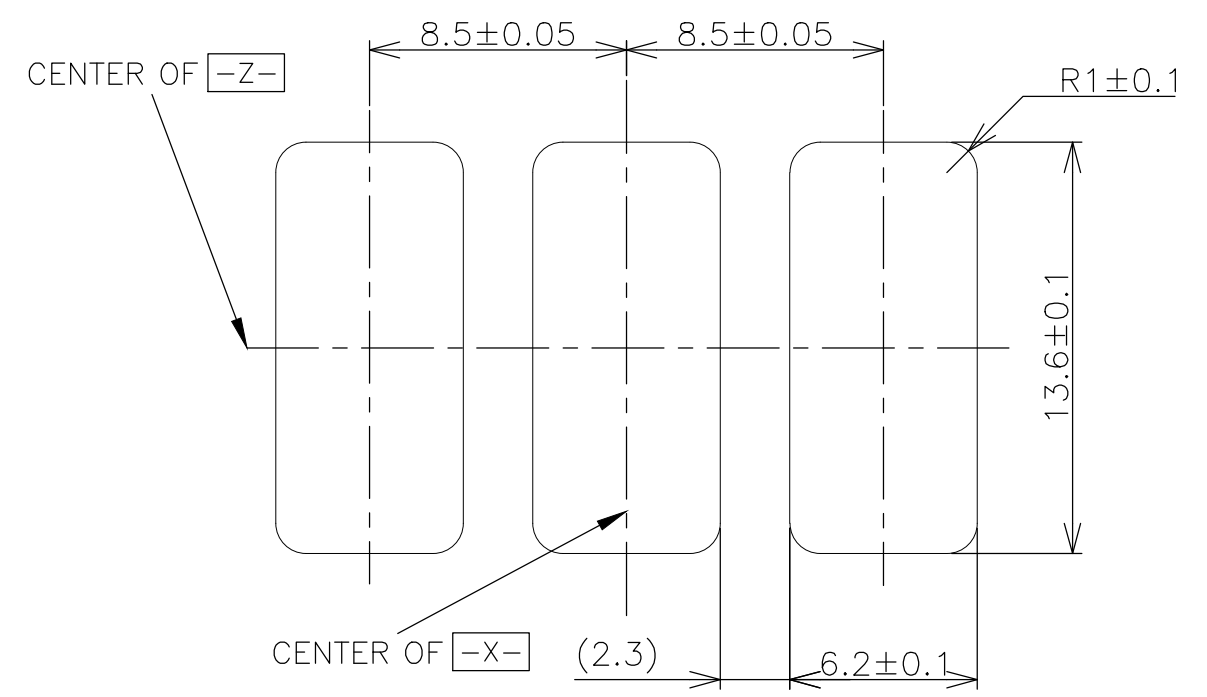
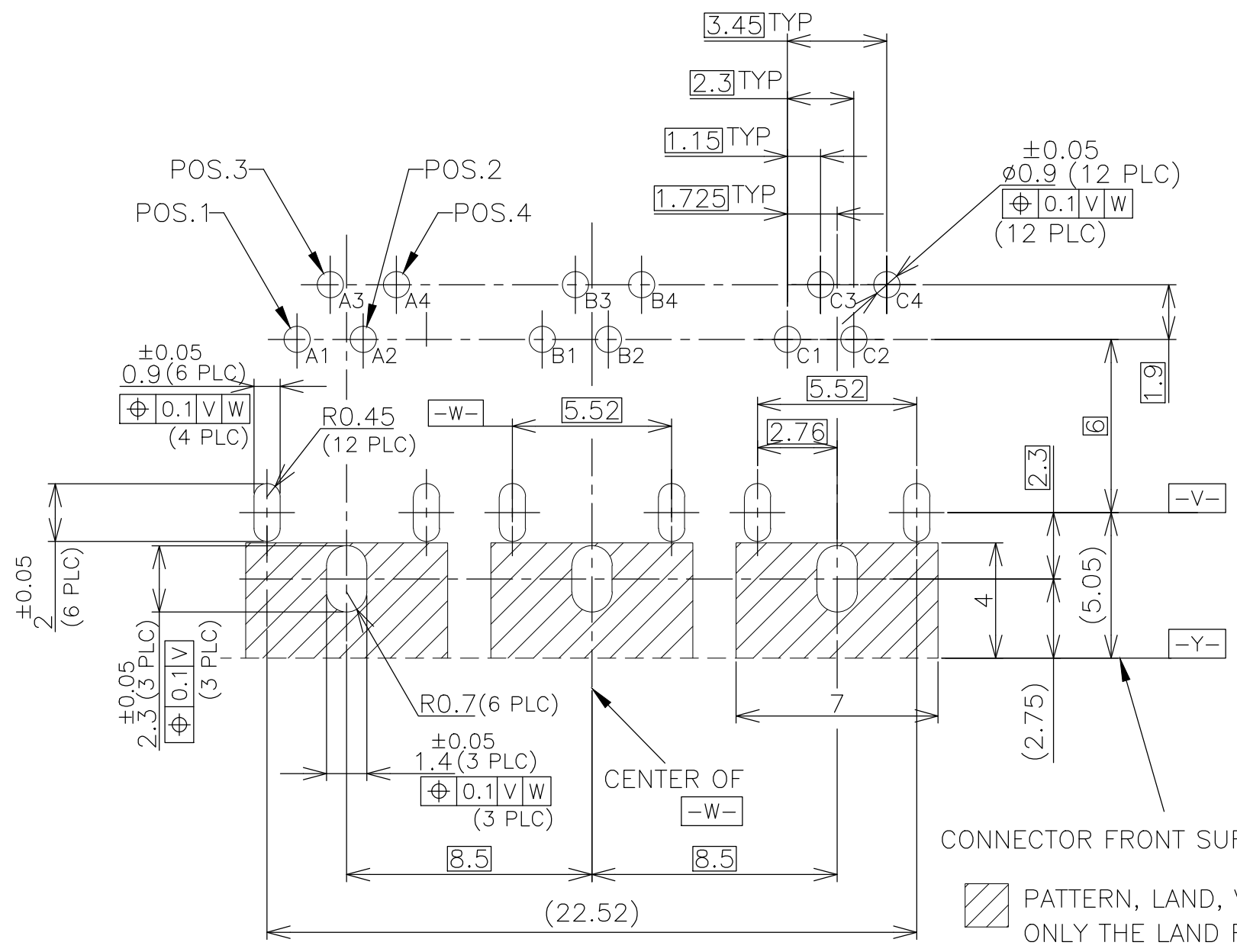
NAME: HARD TRAY ASSY
USB CONNECTOR
REC 3P

SIZE	CAGE CODE	DRAWING NO	RESTRICTED TO
A3	00779	C-1674456	

CUSTOMER DRAWING SCALE 2:1 SHEET 2 OF 3 REV P

THIS DRAWING IS UNPUBLISHED. RELEASED FOR PUBLICATION
 © COPYRIGHT - BY TYCO ELECTRONICS CORPORATION. ALL RIGHTS RESERVED.

LOC		DIST		REVISIONS					
ES				P	LTR	DESCRIPTION	DATE	DWN	APVD
				-	-	SEE SHEET 1	-	-	-



* THIS DIMENSIONS ARE NOT CONSIDERATION PANEL TOLERANCE AND PANEL ASSEMBLY TOLERANCE.

RECOMMENDED PANEL DIMENSION (SCALE 4:1)

CONNECTOR FRONT SURFACE

PATTERN, LAND, VIA HOLE, MOUNT, PROHIBITION AREA. ONLY THE LAND FOR SOLDERING OF FRONT SHELL IS OK.

RECOMMENDED LAYOUT OF P.C.B (CONNECTOR MOUNTING SIDE)
 RECOMMENDED THICKNESS: 1.0~1.6mm

THIS DRAWING IS A CONTROLLED DOCUMENT.		DWN		Tyco Electronics Corporation Shanghai, P.R.China, 200233			
DIMENSIONS: MM		CHK					
		APVD					
		PRODUCT SPEC					
TOLERANCES UNLESS OTHERWISE SPECIFIED:		APVD		NAME			
0 PLC ± 0.3 1 PLC ± 0.3 2 PLC ± 0.3 3 PLC ± 0.3 4 PLC ± 0.3 ANGLES ± 3°		PRODUCT SPEC		HARD TRAY ASSY USB CONNECTOR REC 3P			
MATERIAL		APPLICATION SPEC		SIZE	CAGE CODE	DRAWING NO	RESTRICTED TO
FINISH		WEIGHT		A3	00779	C-1674456	
CUSTOMER DRAWING				SCALE	SHEET	REV	
				5:1	3 OF 3	P	