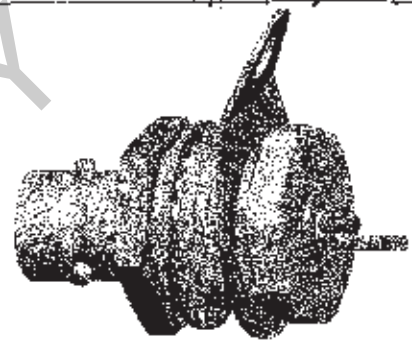
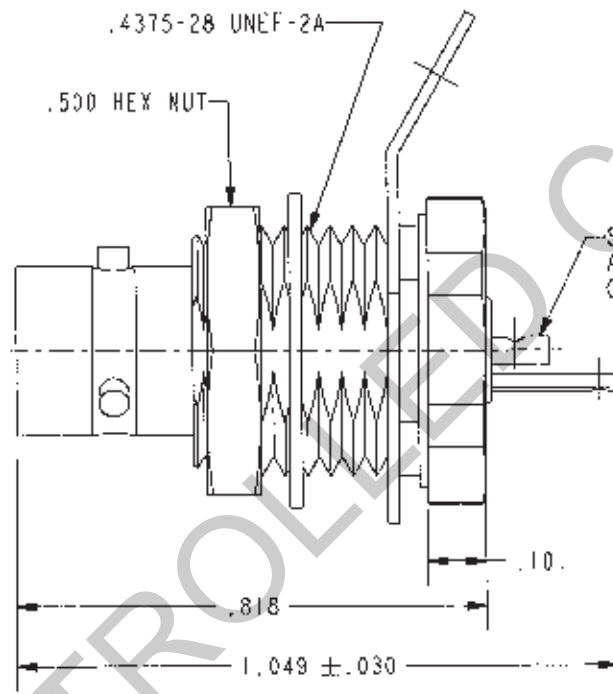
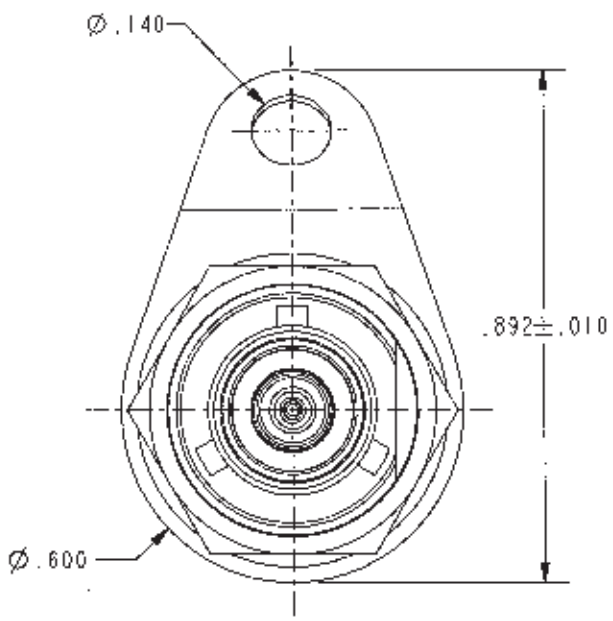
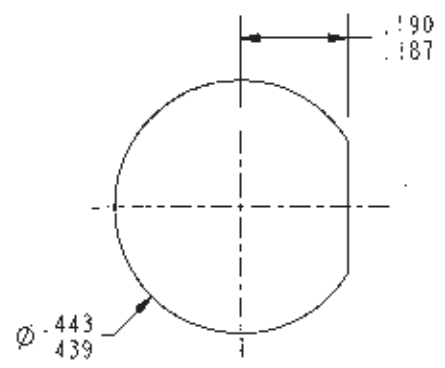


DATA CONTAINED IN THIS DOCUMENT IS PROPRIETARY TO TROMPETER ELECTRONICS INC. AND SHALL NOT BE DISCLOSED, COPIED OR USED FOR PURCHASING OR MANUFACTURE WITHOUT EXPRESS WRITTEN PERMISSION.

REVISIONS			
REV	DESCRIPTIONS	DATE	APPROVED
G	REVISED PER ECO # 16699	9/22/09	Zm



SCALE 2/1




RECOMMENDED PANEL CUTOUT SCALE 3/1

RED INDICATES ORIGINAL

3. MAXIMUM PANEL THICKNESS .250
2. FINISH: TFS-1A (NICKEL)
1. SUBMIN.ATURE TWINAX/TRIAX REAR MOUNT SOLDER POT BULKHEAD RECEPTACLE

NOTES: UNLESS OTHERWISE SPECIFIED.

INTERPRET DRAWING PER MIL-STD-100. DIMENSIONS ARE IN INCHES AND INCLUDE FINISH THICKNESS UNLESS OTHERWISE SPECIFIED.		FOL: UNLESS SPECIFIED. .XX ± .02 .XXX ± .010 ANGLE ± 1°		 <p>TROMPETER RF connectivity <small>a cinch connectivity solutions brand</small></p>	
BY: J. CARPENTER 06-30-08 CHK: M.J. 9-16-09 QTY:	MATERIAL:	TITLE: BJ150			
APPR: Zm 9/21/09	FINISH:	SIZE: A	CASE CODE: 14949	DRAWING NO.: 3-0259	REV.: G
NEXT ASSY:	PART FILE NO.: 3-0259	DO NOT SCALE DIM:	SCALE: 3/1	DATE: 2-1-82	SPCS: IC