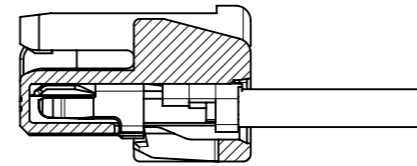
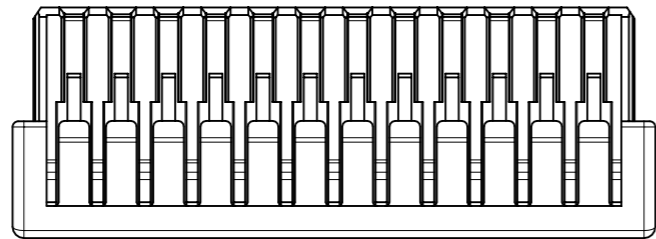


奇数キャビティ：キャビティ番号及び金型番号
 偶数キャビティ：トレードマーク
 ODD CAV:CAVITY & MOLD NUMBER
 EVEN CAV:TRADE MARK

奇数キャビティ：トレードマーク
 偶数キャビティ：キャビティ番号及び金型番号
 ODD CAV:TRADE MARK
 EVEN CAV:CAVITY & MOLD NUMBER



ターミナル装着図
 TERMINAL ASSEMBLY DRAWING

注記：

NOTES:

- ① 材質：TABLE 1参照
MATERIAL：SEE TABLE 1.
- ② 偶数極に適用。
APPLY TO EVEN CIRCUIT.
- ③ 製品仕様書、コネクタ取扱説明書、適合嵌合相手、適合ターミナルはSHEET 3をご参照ください。
PLEASE REFER TO SHEET 3 FOR PRODUCT SPECIFICATION, APPLICATION SPECIFICATION, MATE WITH AND APPLICABLE TERMINAL.
- ④ 発注番号
ORDER NUMBER

204532**0*

極数
CIRCUIT SIZE

| 番号 NO. | ハウジングカラー HOUSING COLOR |
|-----------|-----------------------------|
| 0 | ナチュラル(白) NATURAL (WHITE) |
| 1 | 黒 BLACK |

| | | |
|-------|-------|--------------------|
| 18.75 | 22 | 16 |
| 17.5 | 20.75 | 15 |
| 16.25 | 19.5 | 14 |
| 15 | 18.25 | 13 |
| 13.75 | 17 | 12 |
| 12.5 | 15.75 | 11 |
| 11.25 | 14.5 | 10 |
| 10 | 13.25 | 9 |
| 8.75 | 12 | 8 |
| 7.5 | 10.75 | 7 |
| 6.25 | 9.5 | 6 |
| 5 | 8.25 | 5 |
| 3.75 | 7 | 4 |
| 2.5 | 5.75 | 3 |
| 1.25 | 4.5 | 2 |
| B | A | 極数 CIRCUIT SIZE |

① TABLE 1

| 部品 PART | 材質 MATERIAL |
|------------------|--|
| ハウジング HOUSING | ポリエステル(PBT), UL94 V-0, 色：SHEET 3参照 POLYESTER(PBT), UL94 V-0, COLOR：SEE SHEET 3. |
| DOCUMENT STATUS | P1 |
| RELEASE DATE | 2022/11/30 03:03:33 |

| DIMENSION UNITS | | SCALE | CURRENT REV DESC: | | |
|--|--|-------|------------------------------|----------|--------------|
| mm | | NTS | | | |
| GENERAL TOLERANCES (UNLESS SPECIFIED) | | | EC NO: 720259 | | |
| ANGULAR TOL ± 3.0° | | | DRWN: SOKUMURA01 2022/10/31 | | |
| 4 PLACES ± 0.2 | | | CHK'D: SAKIYAMA 2022/11/28 | | |
| 3 PLACES ± 0.2 | | | APPR: AIDA 2022/11/30 | | |
| 2 PLACES ± 0.2 | | | INITIAL REVISION: | | |
| 1 PLACE ± 0.2 | | | DRWN: RWATANABE01 2017/09/15 | | |
| 0 PLACES ± 0.2 | | | APPR: TKANEKO 2017/09/26 | | |
| DRAFT WHERE APPLICABLE MUST REMAIN WITHIN DIMENSIONS | | | THIRD ANGLE PROJECTION | DRAWING | SERIES |
| | | | | A3-SIZE | 204532 |
| | | | MATERIAL NUMBER | CUSTOMER | SHEET NUMBER |
| | | | SEE SHEET 3 | GENERAL | 1 OF 3 |

molex

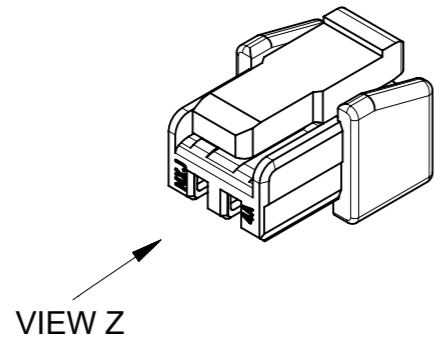
MICRO-LOCK PLUS 1.25 W/B
 SINGLE ROW RECEPTACLE HOUSING
 LOW-HALOGEN

PRODUCT CUSTOMER DRAWING

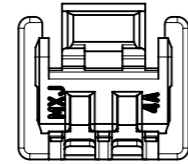
DOCUMENT NUMBER DOC TYPE DOC PART REVISION

2045320000-SD PSD 000 F

製品形状
PRODUCT SHAPE

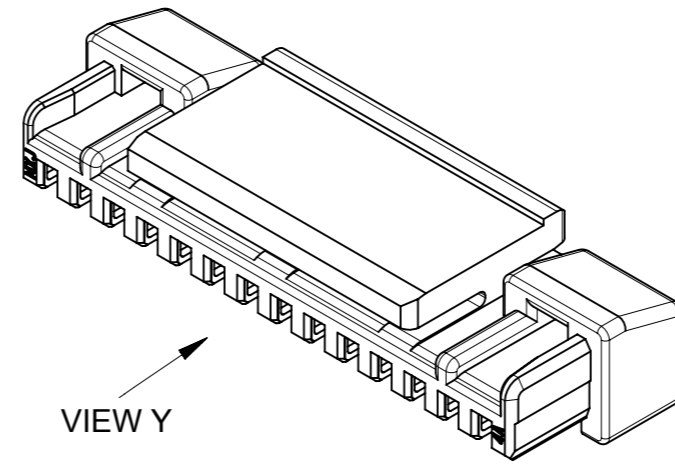


VIEW Z

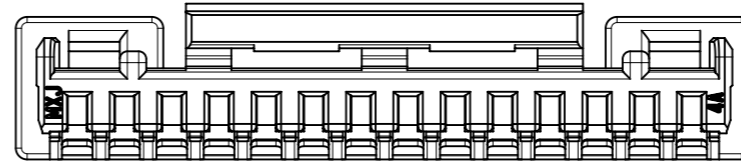


VIEW Z

2-13極
2-13 CIRCUIT



VIEW Y



VIEW Y

14-16極
14-16 CIRCUIT

| | | | | | | | | | | |
|---|-------|------------------------|------------|------------|--|--|--|-----------------|----------|--------------|
| THIS DRAWING CONTAINS INFORMATION THAT IS PROPRIETARY TO MOLEX ELECTRONIC TECHNOLOGIES, LLC AND SHOULD NOT BE USED WITHOUT WRITTEN PERMISSION | | | | | | | | | | |
| DIMENSION UNITS | SCALE | CURRENT REV DESC: | | | | | | | | |
| mm | NTS | | | | | | | | | |
| GENERAL TOLERANCES (UNLESS SPECIFIED) | | | | | | MICRO-LOCK PLUS 1.25 W/B SINGLE ROW RECEPTACLE HOUSING LOW-HALOGEN | | | | |
| ANGULAR TOL ± 3.0 ° | | | | | | PRODUCT CUSTOMER DRAWING | | | | |
| 4 PLACES | ± 0.2 | EC NO: 720259 | | | | | | | | |
| 3 PLACES | ± 0.2 | DRWN: SOKUMURA01 | 2022/10/31 | | | | | | | |
| 2 PLACES | ± 0.2 | CHK'D: SAKIYAMA | 2022/11/28 | | | | | | | |
| 1 PLACE | ± 0.2 | APPR: AIDA | 2022/11/30 | | | | | | | |
| 0 PLACES | ± 0.2 | INITIAL REVISION: | | | | DOCUMENT NUMBER | | DOC TYPE | DOC PART | REVISION |
| DRAFT WHERE APPLICABLE MUST REMAIN WITHIN DIMENSIONS | | DRWN: RWATANABE01 | | 2017/09/15 | | 2045320000-SD | | PSD | 000 | F |
| | | APPR: TKANEKO | | 2017/09/26 | | SEE SHEET 3 | | GENERAL | | SHEET NUMBER |
| | | THIRD ANGLE PROJECTION | | DRAWING | | SERIES | | MATERIAL NUMBER | | CUSTOMER |
| | | | | A3-SIZE | | 204532 | | GENERAL | | 2 OF 3 |

| | | | | |
|-----------------|----|--------------|------------|----------|
| DOCUMENT STATUS | P1 | RELEASE DATE | 2022/11/30 | 03:03:33 |
|-----------------|----|--------------|------------|----------|

△ 3 適合製品及び各種仕様書 APPLICABLE PRODUCTS AND VARIOUS SPECIFICATIONS

| | | |
|----------------------------------|-------------|----------------------|
| 梱包仕様書 PACKAGING SPECIFICATION | PART NUMBER | SPECIFICATION NUMBER |
| | 204532**0* | 2045329200 PS 200 |


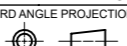
| | | | |
|--------------------------------|-------------|--------------|----------------|
| 適合ターミナル APPLICABLE TERMINAL | PART NUMBER | PLATING TYPE | WIRE SIZE(AWG) |
| | 5054311000 | TIN | #26-30 |
| | 5054311100 | GOLD | |

| | | | | | | |
|--|----------------------|-------------|---------------------------|-------------------------|-------------------------|----------------------|
| 適合嵌合相手 MATE WITH | WIRE TO BOARD | | | | WIRE TO WIRE | |
| | TIN PLATING | | GOLD PLATING | | TIN PLATING | |
| | VERTICAL | RIGHT ANGLE | VERTICAL (FOR POTTING) | VERTICAL | RIGHT ANGLE | --- |
| | 2-16CKT | | | | 2-9CKT | |
| 製品番号 PART NUMBER | 204530**7* | 204529**7* | 205957**7* | 204530**** 3, 5, 8 ▲ | 204529**** 3, 5, 8 ▲ | 2145252*** |
| 製品仕様書 PRODUCT SPECIFICATION | 2045320000-PS PS 000 | | 2045320001-PS PS 000 | 2045320000-PS PS 001 | | 5055650003-PS PS 000 |
| コネクタ取扱説明書 APPLICATION SPECIFICATION | 5055650000-AS PS 000 | | | | | |

製品嵌合図は各嵌合相手図面を参照のこと
MATING VIEW : REFER TO EACH "MATE WITH" PART DRAWING.

△ 4 204532**0* 発注番号一覧 ORDER NUMBER LIST

| BLACK | NATURAL (WHITE) | HOUSING COLOR |
|---|-----------------|--------------------|
| 2045321601 | 2045321600 | 16 |
| 2045321501 | 2045321500 | 15 |
| 2045321401 | 2045321400 | 14 |
| 2045321301 | 2045321300 | 13 |
| 2045321201 | 2045321200 | 12 |
| 2045321101 | 2045321100 | 11 |
| 2045321001 | 2045321000 | 10 |
| 2045320901 | 2045320900 | 9 |
| 2045320801 | 2045320800 | 8 |
| 2045320701 | 2045320700 | 7 |
| 2045320601 | 2045320600 | 6 |
| 2045320501 | 2045320500 | 5 |
| 2045320401 | 2045320400 | 4 |
| 2045320301 | 2045320300 | 3 |
| 2045320201 | 2045320200 | 2 |
| 発注番号 ORDER NUMBER | | 極数 CIRCUIT SIZE |
| 梱包形態 : ポリ袋 PACKAGING : POLYBAG PACKAGE | | |

| | | | | | | | | | |
|---|------------------------------|---|---------|--|---|--|--|--|--|
| THIS DRAWING CONTAINS INFORMATION THAT IS PROPRIETARY TO MOLEX ELECTRONIC TECHNOLOGIES, LLC AND SHOULD NOT BE USED WITHOUT WRITTEN PERMISSION | | | | | | | | | |
| DIMENSION UNITS | SCALE | CURRENT REV DESC: | | |  MICRO-LOCK PLUS 1.25 W/B SINGLE ROW RECEPTACLE HOUSING LOW-HALOGEN | | | | |
| mm | NTS | | | | | | | | |
| GENERAL TOLERANCES (UNLESS SPECIFIED) | | EC NO: 720259 | | | PRODUCT CUSTOMER DRAWING | | | | |
| ANGULAR TOL ± 3.0 ° | | DRWN: SOKUMURA01 2022/10/31 | | | | | | | |
| 4 PLACES ± 0.2 | CHK'D: SAKIYAMA 2022/11/28 | | | DOCUMENT NUMBER: 2045320000-SD DOC TYPE: PSD DOC PART: 000 REVISION: F | | | | | |
| 3 PLACES ± 0.2 | APPR: AIDA 2022/11/30 | | | | | | | | |
| 2 PLACES ± 0.2 | INITIAL REVISION: | | | MATERIAL NUMBER: SEE CHART CUSTOMER: GENERAL SHEET NUMBER: 3 OF 3 | | | | | |
| 1 PLACE ± 0.2 | DRWN: RWATANABE01 2017/09/15 | | | | | | | | |
| 0 PLACES ± 0.2 | APPR: TKANEKO 2017/09/26 | | | | | | | | |
| DRAFT WHERE APPLICABLE MUST REMAIN WITHIN DIMENSIONS | | THIRD ANGLE PROJECTION | DRAWING | SERIES | | | | | |
| | |  | A3-SIZE | 204532 | | | | | |