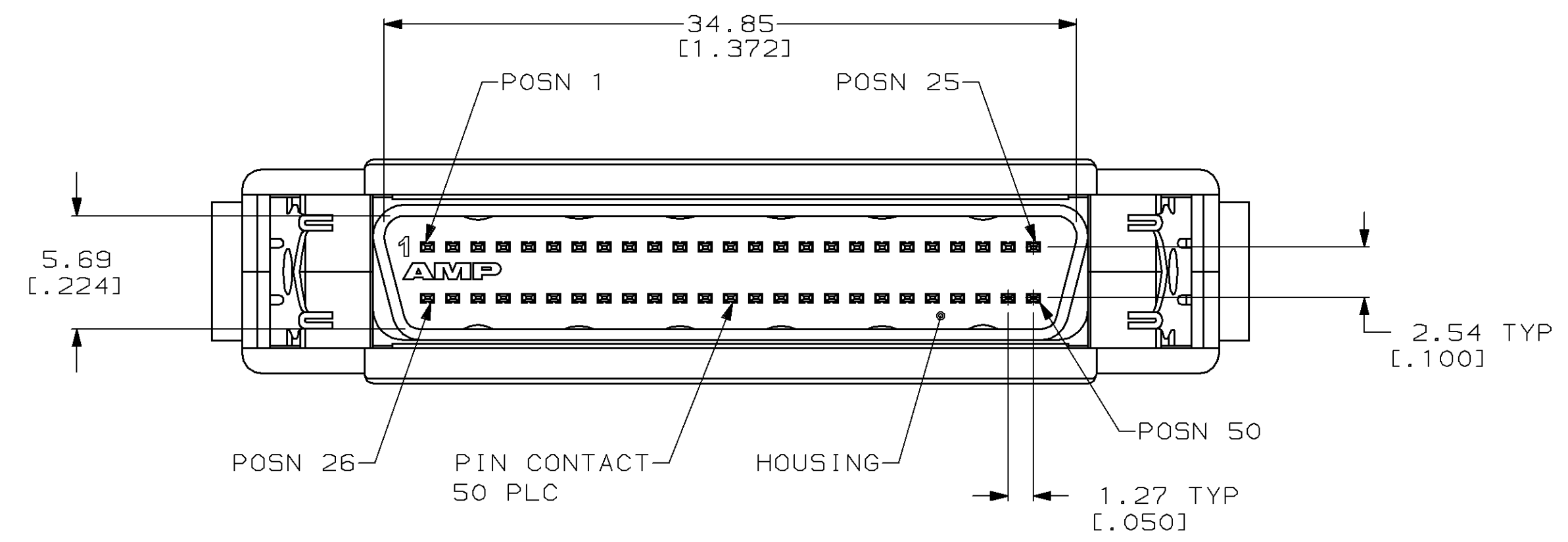
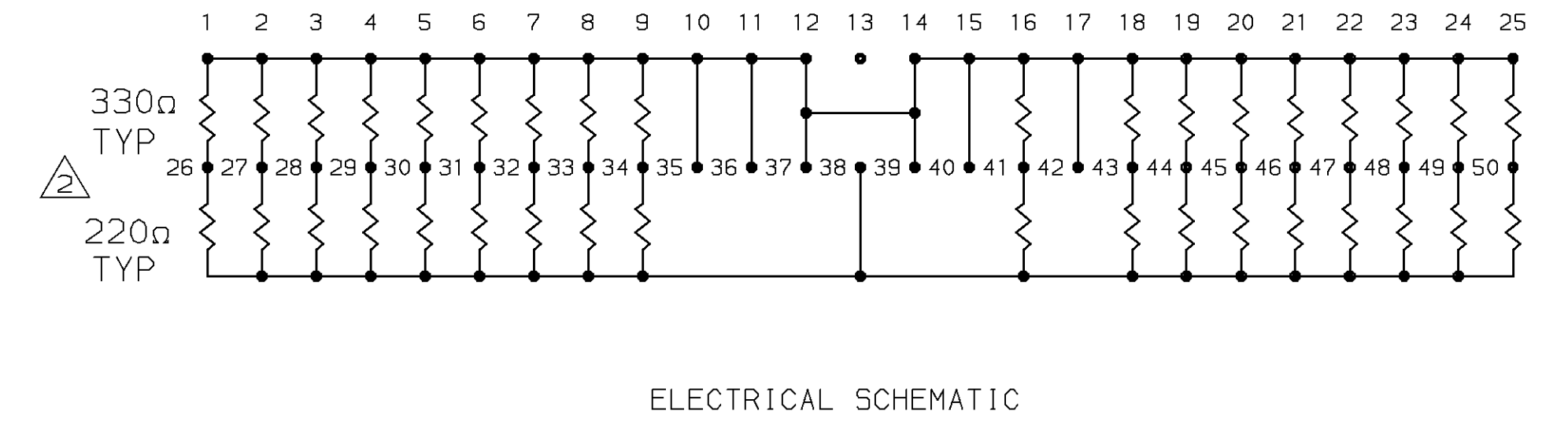
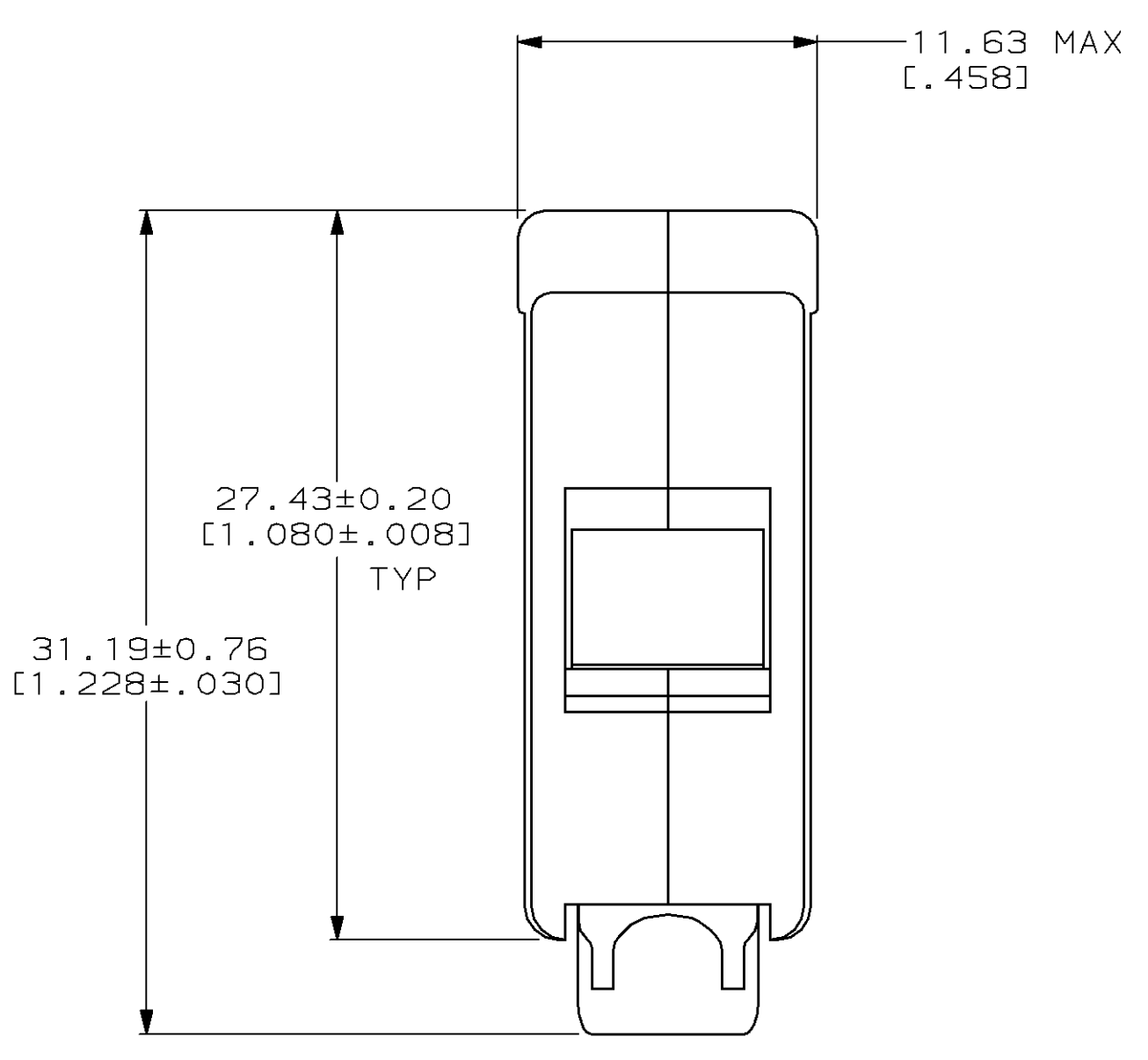
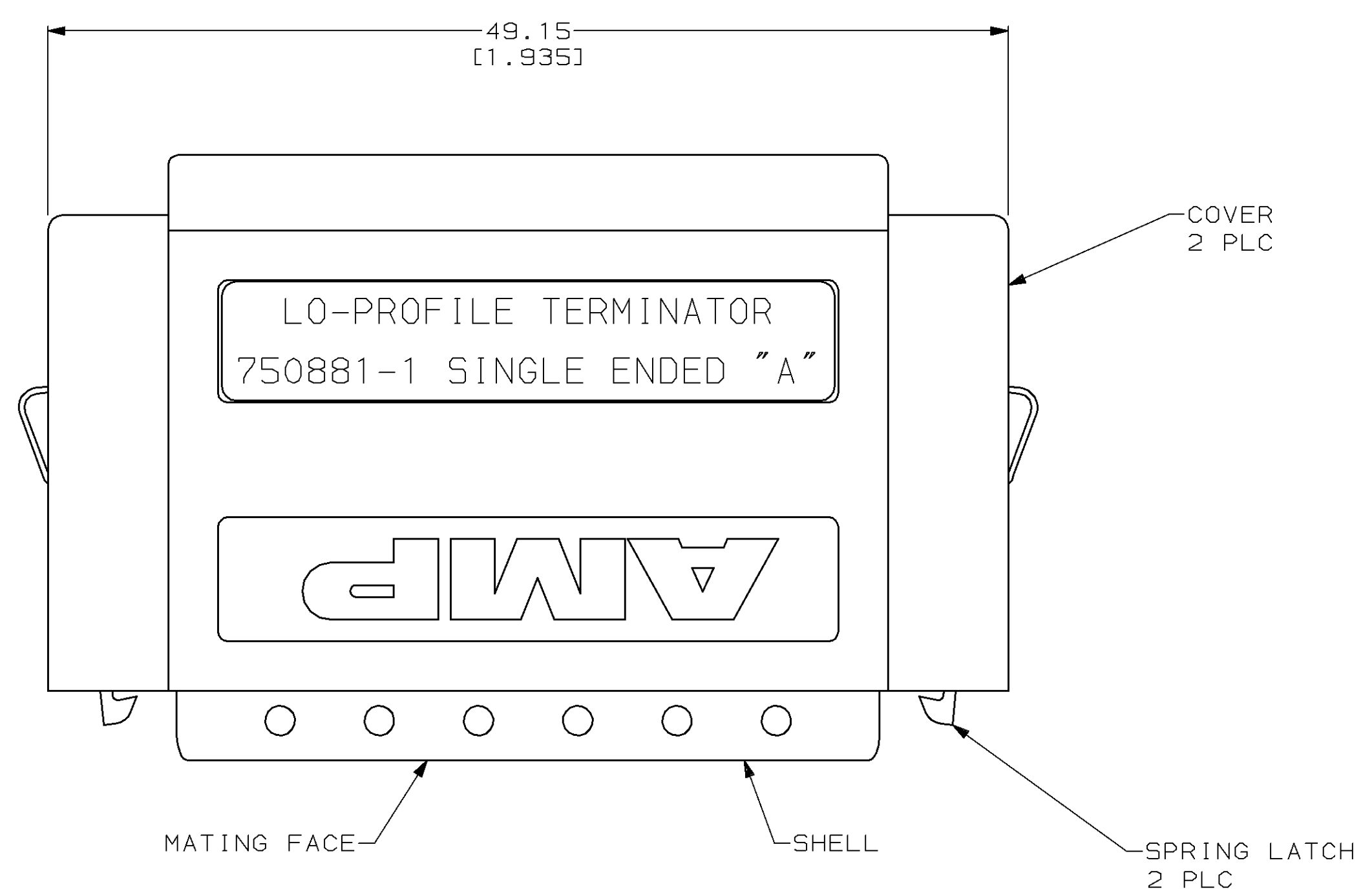


MOD		LOC	Q1ST	P		F		ZONE		LTR		DESCRIPTION	DATE	APPD
5		BD	62									RLSE WAS 91-4163-045-01	8-91	-
												REV NPR 3794	10/28/91	PR
												REVISED ECN B06418	07/28/92	PR
												REV PER EC 0020-601-93	10/27/93	PR



- ① SHELL: CARBON STEEL; PIN CONTACT: PHOSPHOR BRONZE; HOUSING: POLYESTER, BLACK; RESISTOR NETWORK: THICK FILM RESISTOR COMPOSITION ON ALUMINA SUBSTRATE. SPRING LATCH: STAINLESS STEEL; COVER: ABS, GRAY, UL 94V-0 RATED.
- ② RESISTOR TOLERANCE: ±5%.
- ③ 5.08μm [0.000200] MIN TIN OR TIN-LEAD OVER 1.27μm [0.000050] MIN COPPER.
- ④ 0.76μm [0.000030] MIN GOLD FOR A LENGTH OF 3.35 [0.132] MIN FROM MATING END OVER 1.27μm [0.000050] MIN NICKEL.

DO NOT SCALE PRINT. UNLESS SPECIFIED DIMENSIONS IN mm [INCHES] TOLERANCES: 0N; 2 PLC DEC ± 0.25 [0.010]; 3 PLC DEC ± -; ANGLES ± -		DR 8-4-91 J McCLINTON	AMP Incorporated Harrisburg, PA 17105-3608	
MATERIAL		CHK 8-5-91 R. STONE		
FINISH SHELL: ③ CONTACTS: ④		APPD 8-7-91 P. RUELVIS	NAME PLUG ASSEMBLY, 50 POSITION, .050 SERIES AMPLIMITE™, TERMINATOR	
APPLICATION SPEC		APPD 8-7-91 C. ROHDE	SIZE D	CAGE CODE 00779
WEIGHT		PRODUCT SPEC	SCALE 4:1	DRAWING NO 750881
				SHEET 1 OF 1