

PART NAME: KNOB

SCALE: 1:1

DATE: 7/22/91

DR. BY HD

THIS DRAWING IS THE PROPERTY OF DAVIES MOLDING COMPANY, IS SUBMITTED SOLELY AS A DESIGN OR ENGINEERING PROJECT. WE ACCEPT NO RESPONSIBILITY WHATSOEVER FOR THE PRACTICAL APPLICATION OF THE PIECES MADE TO THIS DESIGN.



DESIGNERS & MANUFACTURERS OF KNOBS, HANDLES, CASES & CUSTOM PLASTIC COMPONENTS

P/N 3036-L

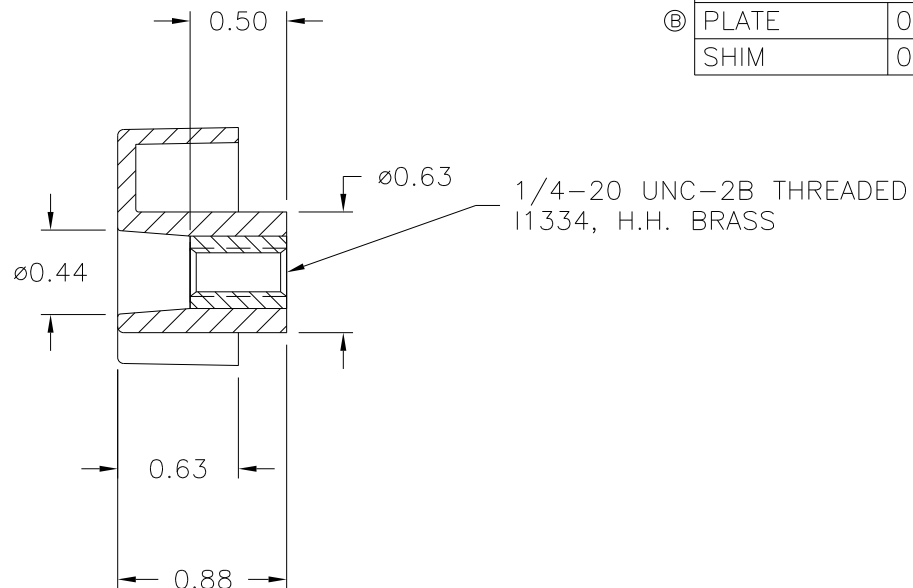
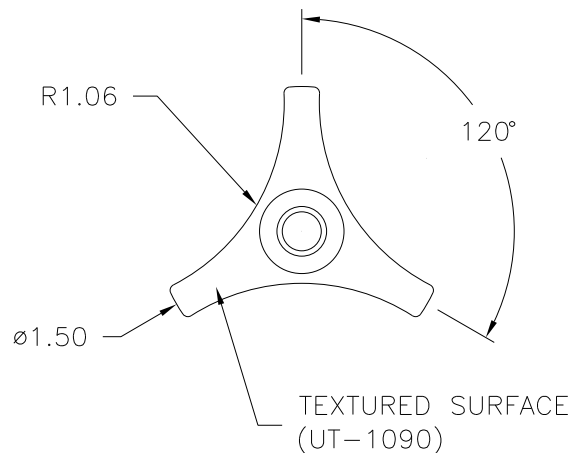
M<sup>NO.</sup> 38 #1

CAVITY	3036
CORE	3036
CAVITY PLUG	3036-H-1
SLEEVE	2780
PIN	2780-1
© PIN SHIM	0.015
Ⓐ SHIMS	.306+.241+.015
INSERT	11334

M<sup>NO.</sup> 38 #2

Ⓑ PLATE	0.548
SHIM	0.030

S.O. # 17402



MATERIAL: 20% TALC FILLED POLYPROPYLENE  
COLOR: BLACK

TOLERANCES: UNLESS OTHERWISE SPECIFIED	DO NOT SCALE DRAWING
DECIMALS: X.XXX ± .005 X.XX ± .015	MM: X.XX ± 0.15MM X.X ± 0.4MM
FRACTIONS ± 1/64	ANG. ± 1°

C	ADDED SHIM UNDER PIN	TS	12/9/02
B	CORRECTED SHIM	TS	8/29/02
A	ADDED 0.015 SHIM	JAM	6/5/00
-	CORRECTED DRAWING	TL	6/22/99
-	CAD REDRAW	HD	6/15/92

CHANGES