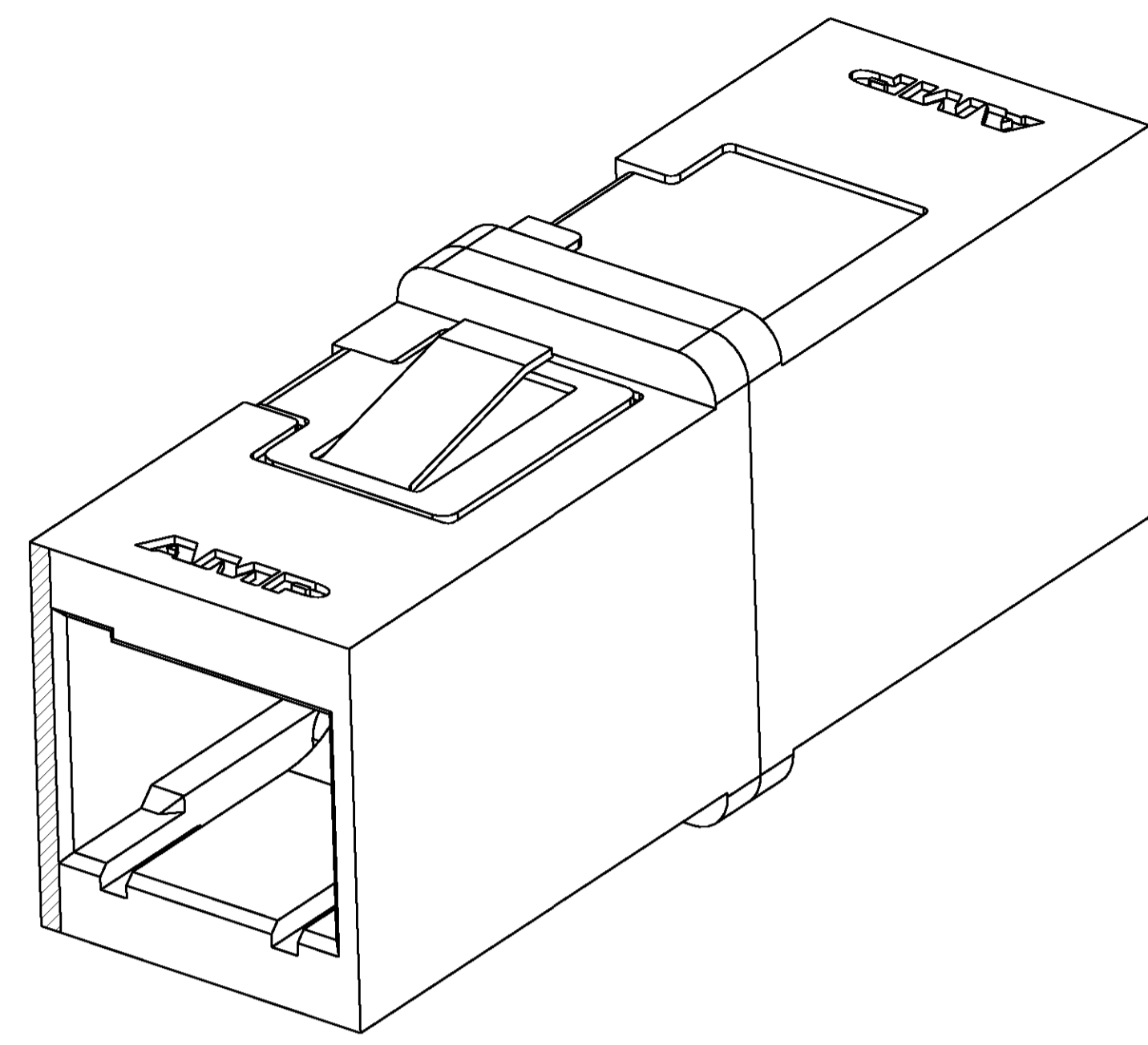
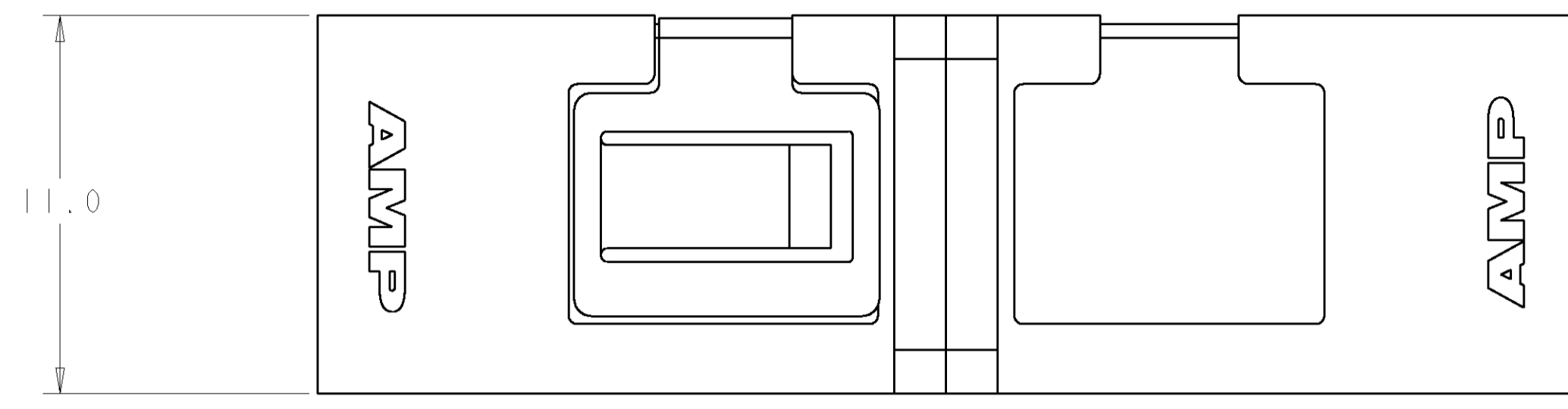
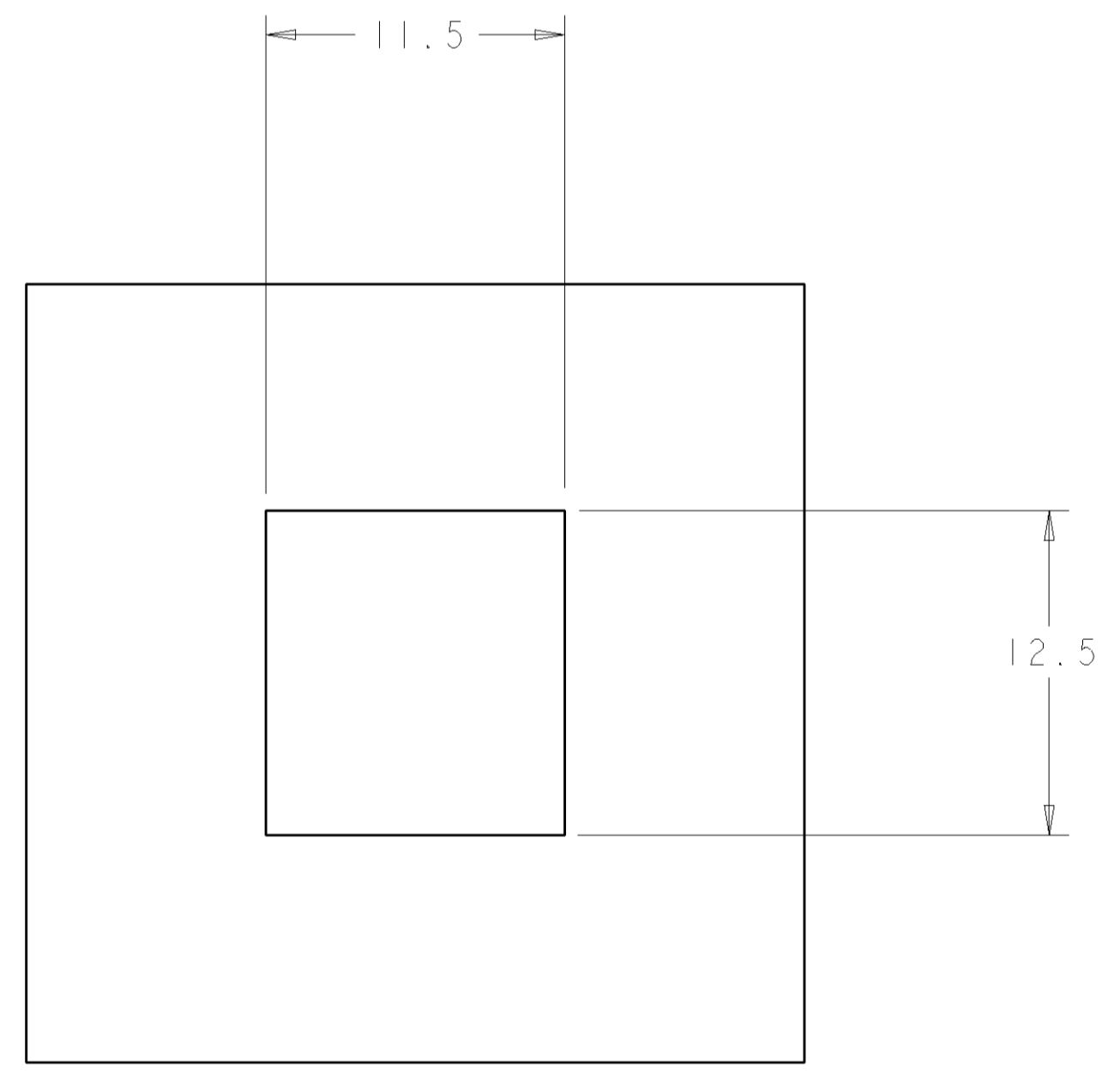
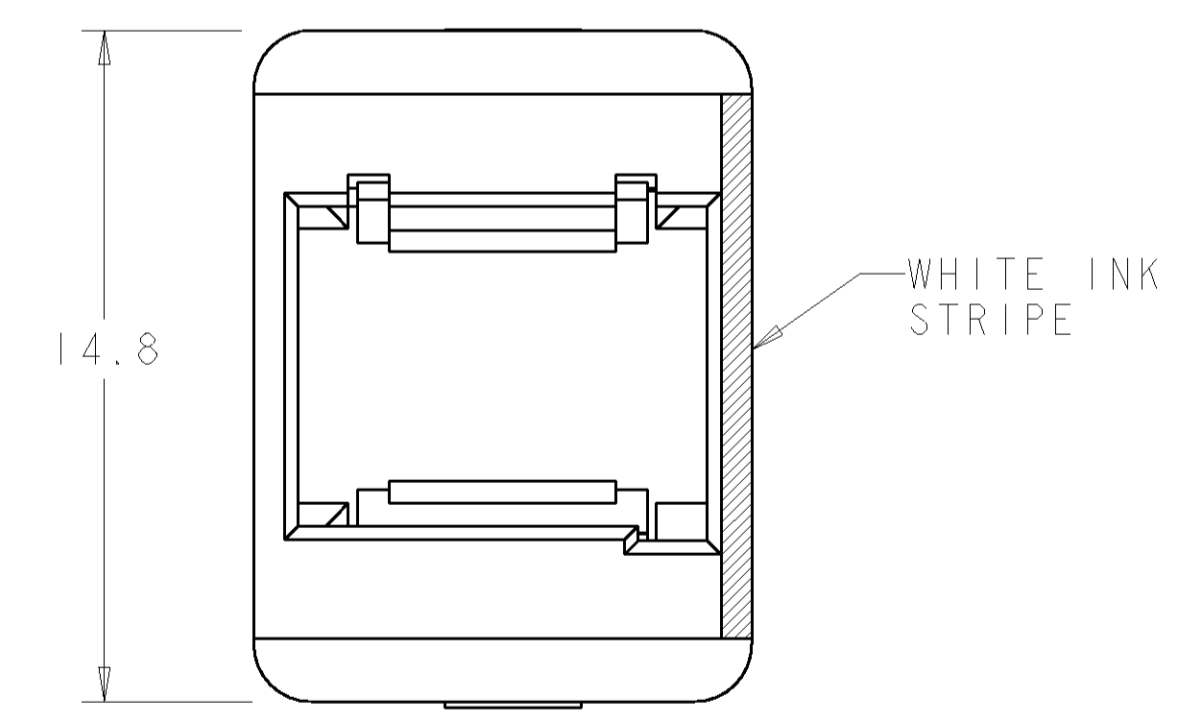
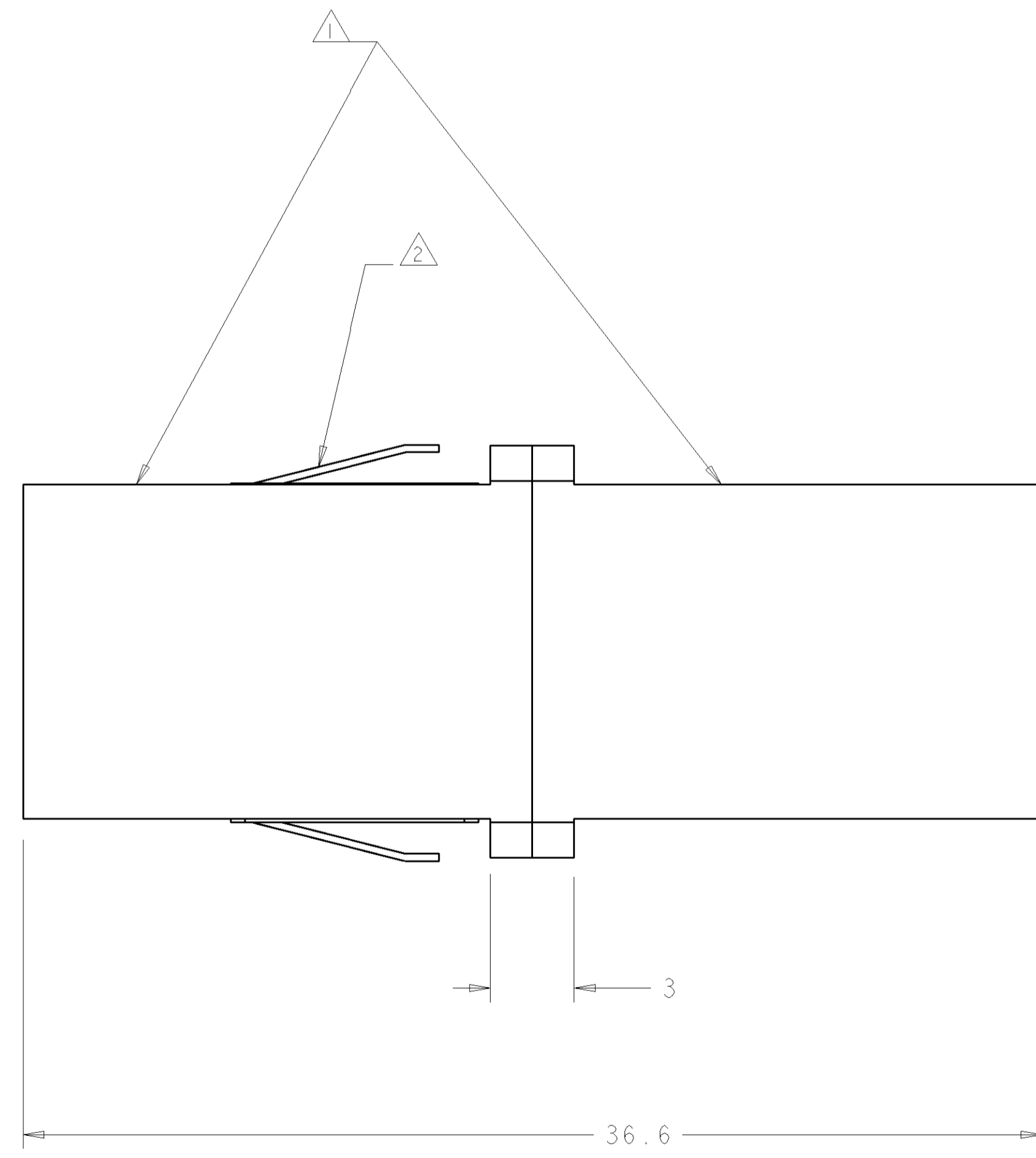
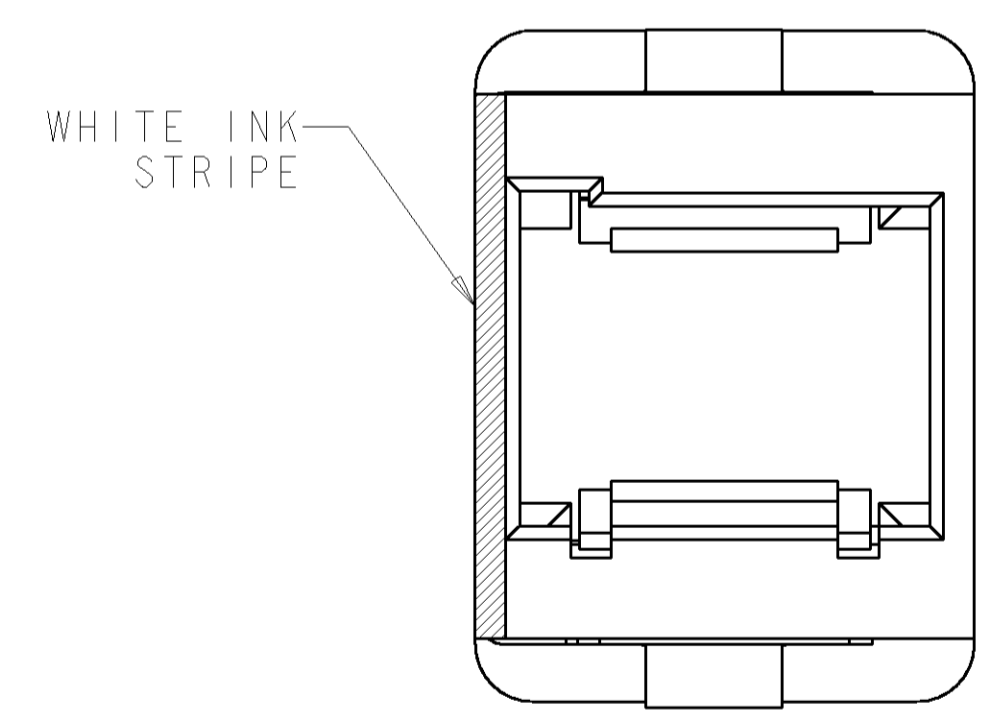


LOC	DIST	REVISIONS			
F	LTB	DESCRIPTION	DATE	DWN	APD
A		REV PER EC 0A00-0663-00	08AUG2000	LM	LB
B		REVISED PER EC 0A00-0314-02	29APR2002	EB	AP
C		REV PER EC 0A00-0172-04	01APR2004	EH	AP



- △ HOUSING MATERIAL:
PBT 30% GLASS FILLED, UL 94 V-0
COLOR: BLACK.
- △ RETENTION CLIP MATERIAL:
STAINLESS STEEL.



SUGGESTED PANEL CUT-OUT
SCALE 4:1

1374650-1
PART NUMBER

<small>THIS DRAWING IS UNPUBLISHED. RELEASED FOR PUBLICATION. ALL RIGHTS RESERVED.</small> <small>ALL DIMENSIONS ARE IN MILLIMETERS UNLESS OTHERWISE SPECIFIED.</small>		DWN: L. MORNINGSTAR CHK: L. BARKUS APD: F. ABENDSCHEIN	ZOMART00 ZOMART00 Z7APROD	AMP Incorporated Harrisburg, PA 17105-3608
DIMENSIONS: mm 	TOLERANCES UNLESS OTHERWISE SPECIFIED: 0 PLC ±. 1 PLC ±.2 2 PLC ±.13 3 PLC ±.013 4 PLC ±. ANGLES ±. FINISH -	PRODUCT SPEC APPLICATION SPEC WEIGHT -	NAME: COUPLING BUSHING ASSY, SMALL FLANGE, LIGHTRAY MPX SIZE: A1 CAGE CODE: 00779 DRAWING NO: C-1374650	AMP AMP Incorporated Harrisburg, PA 17105-3608
MATERIAL: -		CUSTOMER DRAWING		SCALE: 6:1 SHEET: 1 OF 1 REV: C