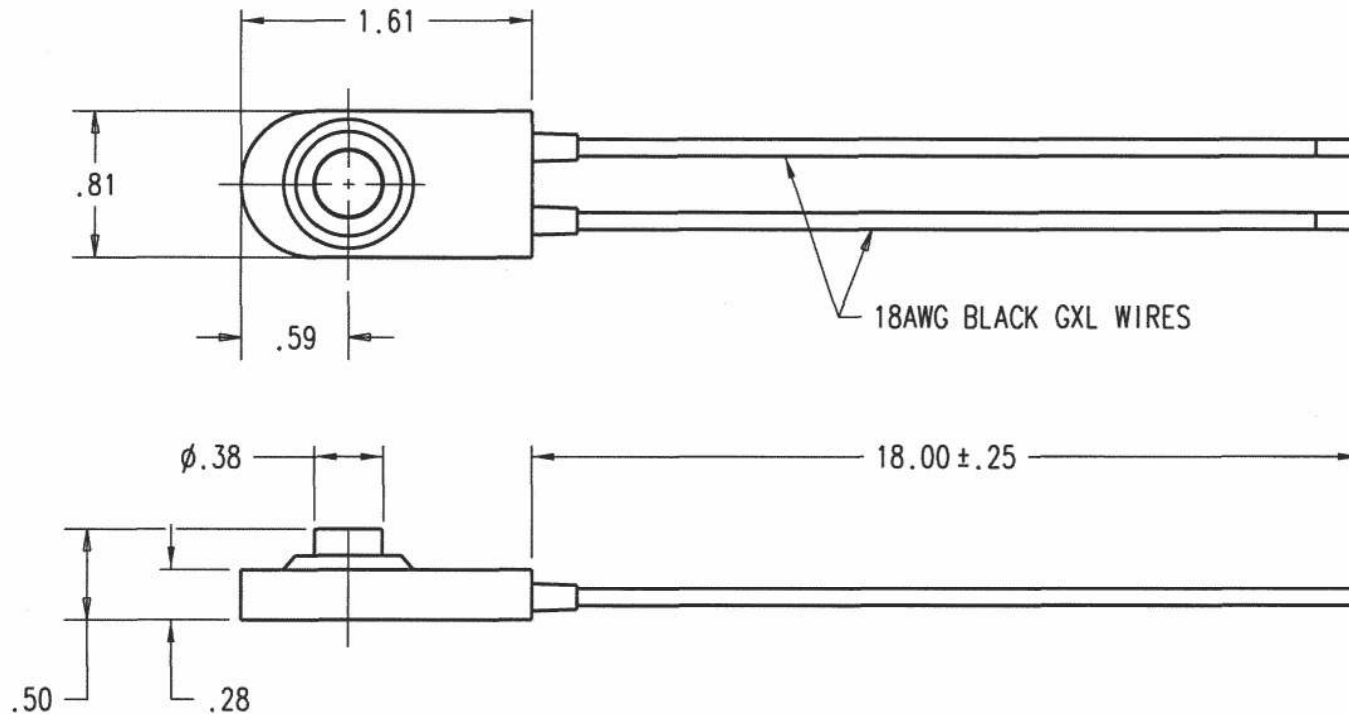


DRAWING NO.

B7151-532



NOTES:

1. SWITCH IS ENTIRELY WATERPROOF.
2. SWITCH CONFIGURATION IS NORMALLY OPEN.
3. WIRE CONNECTIONS MUST BE SEALED TO MAINTAIN THE WATERPROOFNESS OF THE SWITCH.
4. ELECTRICAL RATING (28VDC/120VAC): 5 AMP RESISITIVE, 3 AMP INDUCTIVE.
5. PROPER APPLICATION OF THIS PRODUCT IS RESPONSIBILITY OF THE USER.

REV	DESCRIPTION	DATE	BY	APP	UNLESS OTHERWISE SPECIFIED DIMENSIONS ARE IN INCHES		APPROVALS		DATE	CPI CONTROL PRODUCTS, INC. EAST HANOVER, NEW JERSEY WWW.CPI-NJ.COM								
					TOLERANCES ARE:		DRAWN	GHS	7/26/21	TITLE WATERPROOF SWITCH, N.O.								
					.X \pm .1 .XX \pm .03 .XXX \pm .015 ANG \pm 5°		CHECKED											
REVISIONS					MATERIAL		ISSUED	ECN7184	ROG 7/27/21	SIZE A			SCALE NONE		DRAWING NO. B7151-532		SHEET 1 OF 1	
THE INFORMATION FURNISHED HEREIN IS THE PROPERTY OF CONTROL PRODUCTS, INC. AND SHALL NOT BE USED, DISCLOSED TO OTHERS, OR COPIED WITHOUT THE EXPRESS WRITTEN CONSENT OF CONTROL PRODUCTS, INC.					FINISH AND HEAT TREAT		DIGI-KEY						DO NOT SCALE DRAWING					