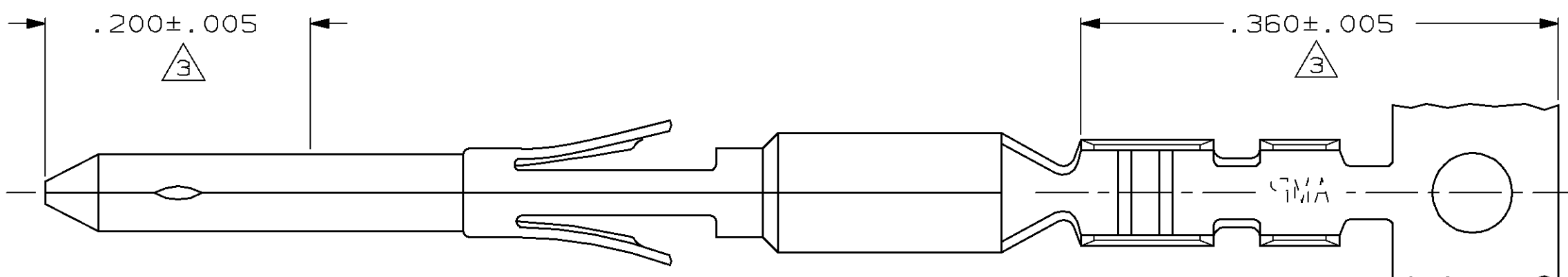


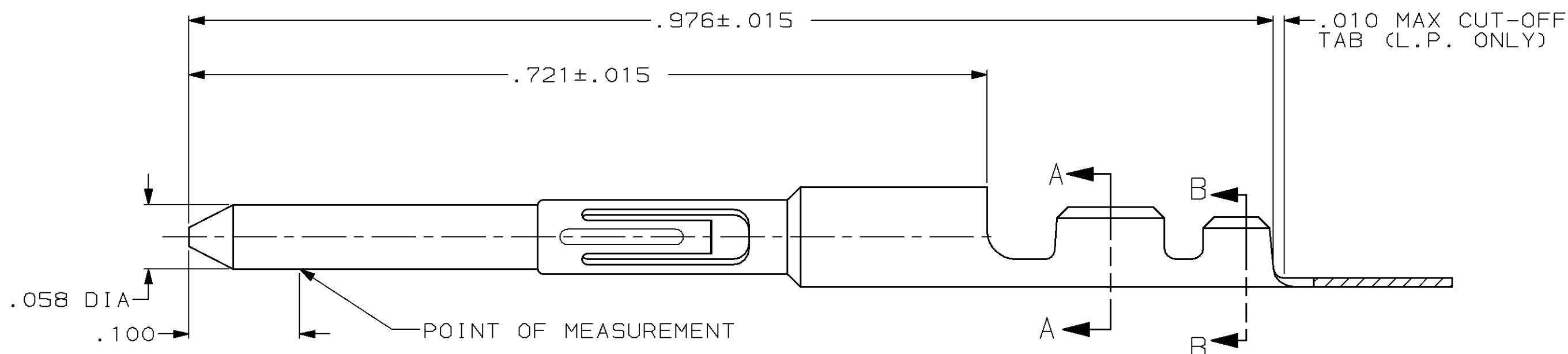
THIS DRAWING IS UNPUBLISHED. RELEASED FOR PUBLICATION, 19 .
 © COPYRIGHT 19 BY AMP INCORPORATED. ALL INTERNATIONAL RIGHTS RESERVED.

MOD 1 LOC BD DIST 20

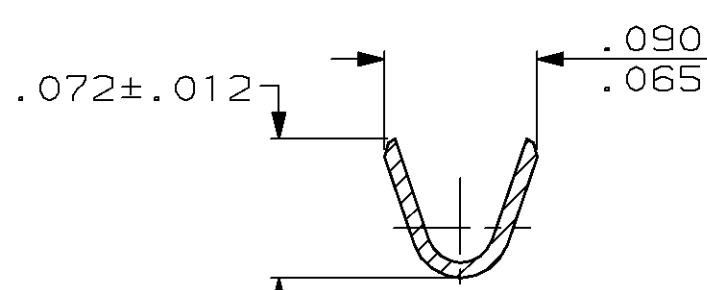
| P | | F | | ZONE | | LTR | | DESCRIPTION | DATE | APPD |
|---|--|---|--|------|--|-----|--|----------------------------------|----------|------|
| | | | | | | | | E REVISED & REDRAWN PER SP-46 | 8-27-87 | - |
| | | | | | | | | F REVISED ECN-SP-85 | 2-11-88 | - |
| | | | | | | | | G REVISED ECN BD2801 | 2-16-89 | RW |
| | | | | | | | | H OBSOLETE -6 PER EC 0020-894-94 | 08/17/94 | AT |
| | | | | | | | | J OBS -4 PER EC 0020-1416-94 | 11/25/94 | AT |



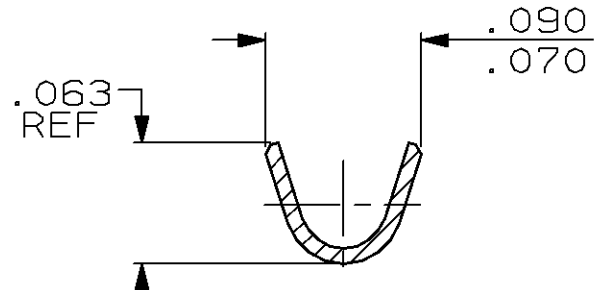
1. WIRE RANGE: #24 - #20 AWG.
2. INSULATION RANGE: .054 - .036 DIA.
- △3 DUPLEX PLATED .000150 MIN. TIN/LEAD ON WIRE BARREL END FOR LENGTH OF .360, .0000150 MIN. THK. GOLD ON MATING END FOR A LENGTH OF .200 WITH ENTIRE CONTACT UNDERPLATED .000100 MAX. THK. NICKEL.
- △4 TIN PLATE .000050 MIN. THK OVER NICKEL.
- △5 SILVER PLATE .000100 MIN. THK. OVER COPPER.
- △6 OBSOLETE PART NUMBER.



| | | | |
|-----------------|---------|---------|---------|
| - | △5 | △6 | 66735-6 |
| △6 | 66735-4 | △4 | 66735-2 |
| △6 | 66735-3 | △3 | 66735-1 |
| LOOSE PIECE P/N | FINISH | PART NO | |



SECTION A-A



SECTION B-B

| | | | |
|---|---------------------------|---|-----------|
| DO NOT SCALE PRINT. UNLESS SPECIFIED DIMENSIONS IN INCHES TOLERANCES ON : 2 PLC DEC ± - 3 PLC DEC ± - ANGLES ± - | DR 10-6-87 L.SIPE | AMP Incorporated Harrisburg, PA 17105-3608 | |
| | CHK 10-13-87 S.WELDON | | |
| MATERIAL | APPD 10-13-87 D.NEIDIG | NAME | |
| BRASS PER MIL-C-50 | APPD 10-13-87 V.KUMAR | CIRCULAR DIN, PIN CONTACT | |
| FINISH | APPLICATION SPEC | SIZE | CAGE CODE |
| SEE TABLE | - | © | 00779 |
| | | DRAWING NO | ©=66735 |
| | | SCALE | 10:1 |
| | | WEIGHT | - |
| | | SHEET | 1 OF 1 |

THIS DRAWING IS A CONTROLLED DOCUMENT FOR AMP INCORPORATED. IT IS SUBJECT TO CHANGE AND THE CONTROLLING ENGINEERING ORGANIZATION SHOULD BE CONTACTED FOR THE LATEST REVISION.