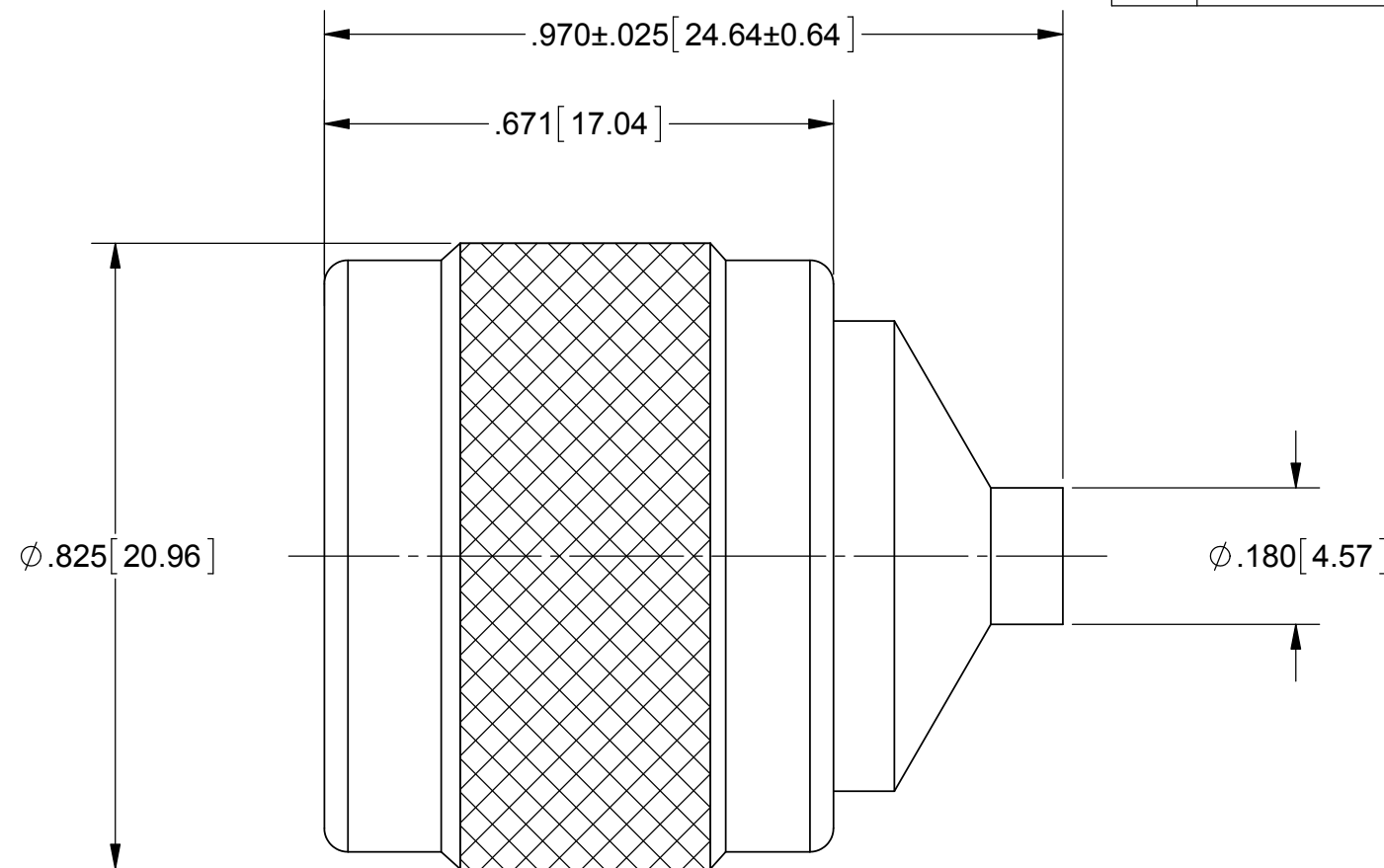
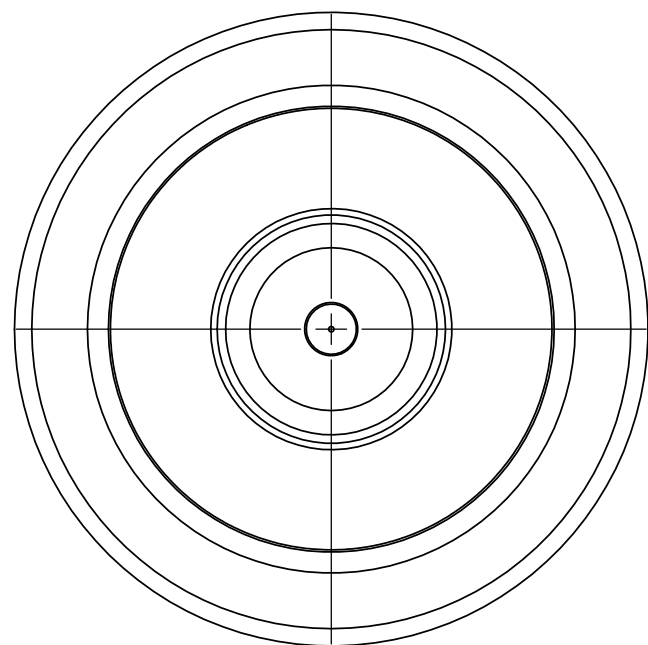


# PRODUCT DATA DRAWING

REVISION HISTORY			
REV	DESCRIPTION	DATE	APPROVED
A	DCN 41717	09/15	BNK



**MATERIAL:**

- BODY & COUPLING NUT: STAINLESS STEEL PER AMS-5640, ALLOY UNS S30300, TYPE 1
- CONTACT: BRASS PER ASTM B16, ALLOY UNS No. C36000
- INSULATOR: PTFE PER ASTM D1710, TYPE I, GRADE 1, CLASS B
- RETAINING RING: PHOSPHOR BRONZE PER ASTM-B 159, ALLOY 51000, TEMPER H08
- GASKET: SILICONE RUBBER PER A-A-59588, CLASS 2B, GRADE 60 OR 70

**FINISH:**

- COUPLING NUT: PASSIVATED PER AMS-2700
- BODY & CONTACT: GOLD PER ASTM B488, TYPE II, CODE C, CLASS .76, OVER NICKEL PER AMS-QQ-N-290, CLASS 1

**PERFORMANCE:**

- IMPEDANCE: 50 OHMS
- FREQ. RANGE: DC TO 18.0 GHz
- VSWR: 1.20:1 DC TO 18.0 GHz
- INSERTION LOSS: .05 X SQRT(F(F IN GHz))
- DWV: 1000 VRMS

MATERIAL: SEE NOTES	DIMENSIONS ARE IN INCHES TOLERANCES: FRACTIONAL: ±1/64 ANGULAR: X° ±1'0" X'X' ±15'	UNLESS OTHERWISE SPECIFIED 1) ALL DIMENSIONS ARE IN INCHES (MILLIMETERS) 2) ALL DIMENSIONS ARE AFTER PLATING. 3) BREAK CORNERS & EDGES .005 R. MAX. 4) CHAM. 1ST & LAST THREADS. 5) SURFACE ROUGHNESS 63-MIL-STD-10. 6) DIA.'S ON COMMON CENTERS TO BE CONCENTRIC WITHIN .005 T.I.R. 7) REMOVE ALL BURRS	 2400 Centrepark West Drive, Suite 100 West Palm Beach, FL 33409 TITLE: <b>PN PLUG FOR Ø.141 CABLE</b>
FINISH: SEE NOTES	DECIMAL: X ±.030 .XX ±.010 .XXX ±.005	INTERPRET DIMENSIONS AND TOLERANCES PER ASME Y14.5M - 1994	
SURFACE AREA: N/A	THIRD ANGLE PROJECTION	DRAWN: DAL 09/30/15	SIZE: B CAGE CODE: 95077 DWG. NO.: SF6505-6003
PROPRIETARY THE INFORMATION CONTAINED IN THIS DRAWING IS THE SOLE PROPERTY OF SV MICROWAVE, INC. ANY REPRODUCTION IN PART OR AS A WHOLE WITHOUT THE WRITTEN PERMISSION OF SV MICROWAVE, INC IS PROHIBITED.		CHECKED: BNK 09/30/15	SCALE: 4:1
		APPROVED: BNK 09/30/15	SHEET 1 OF 1