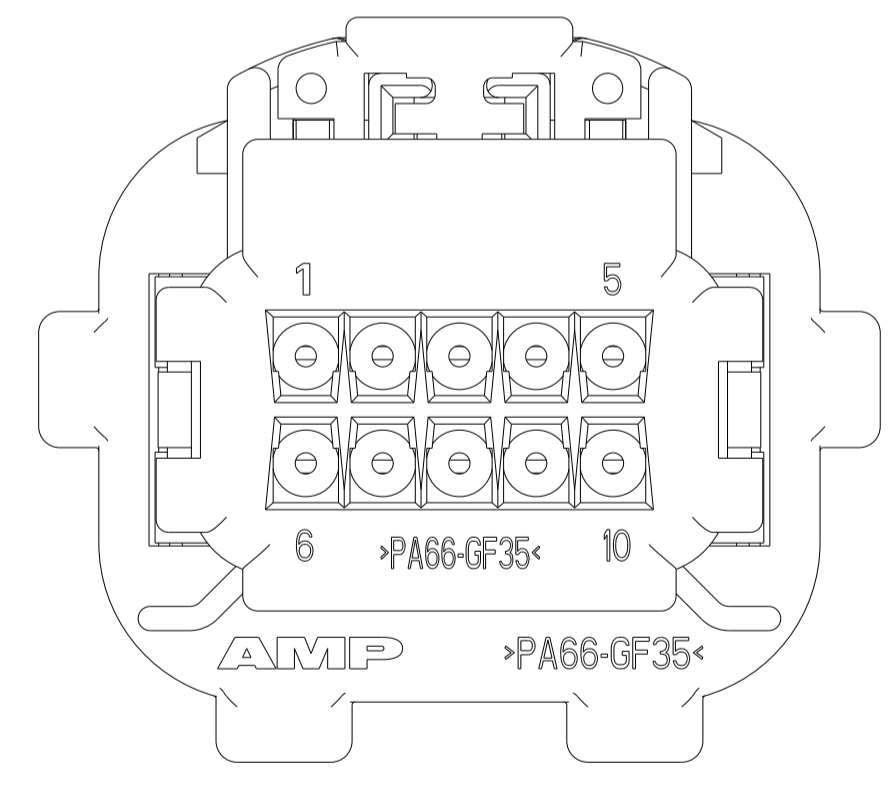
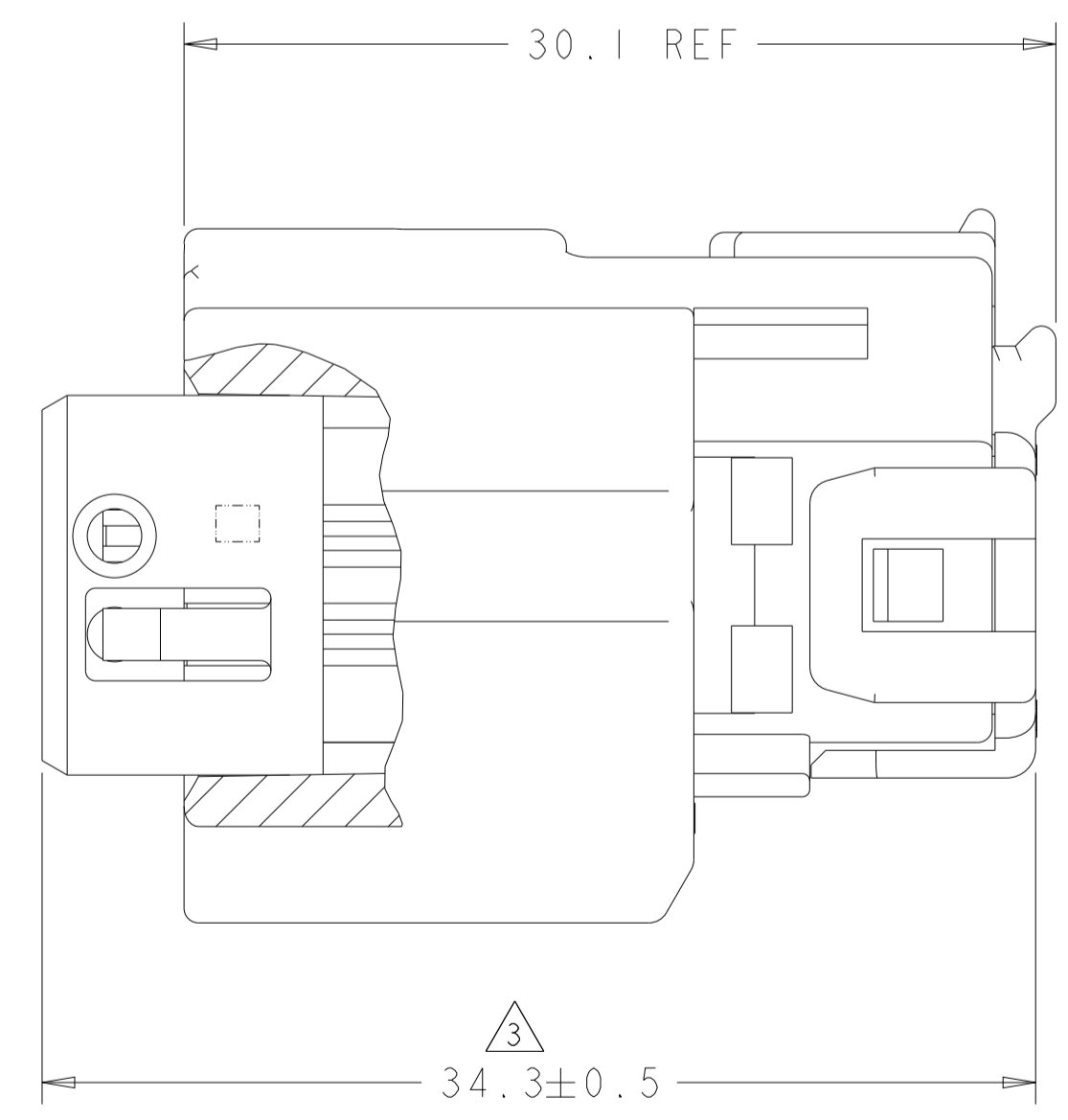
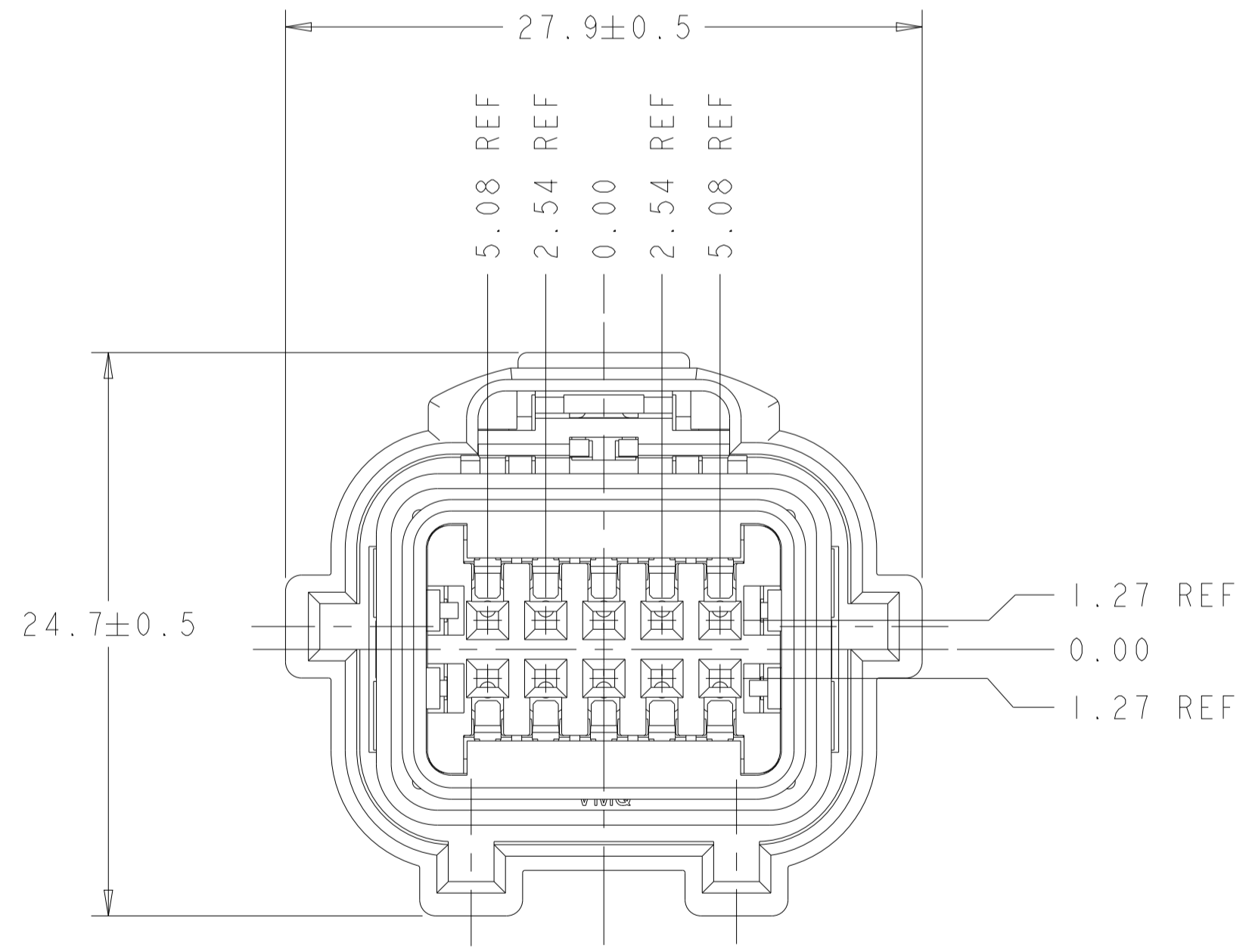
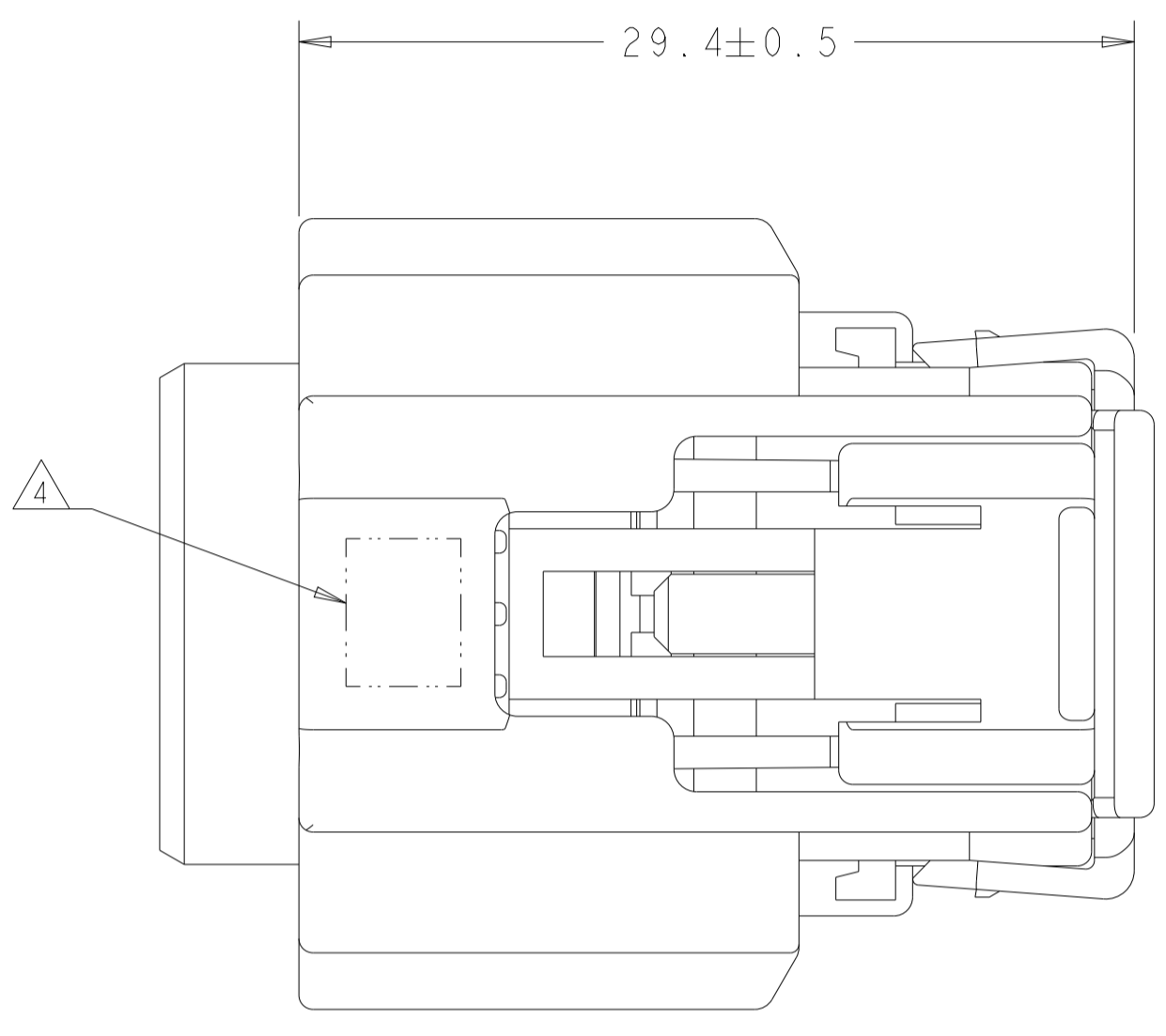
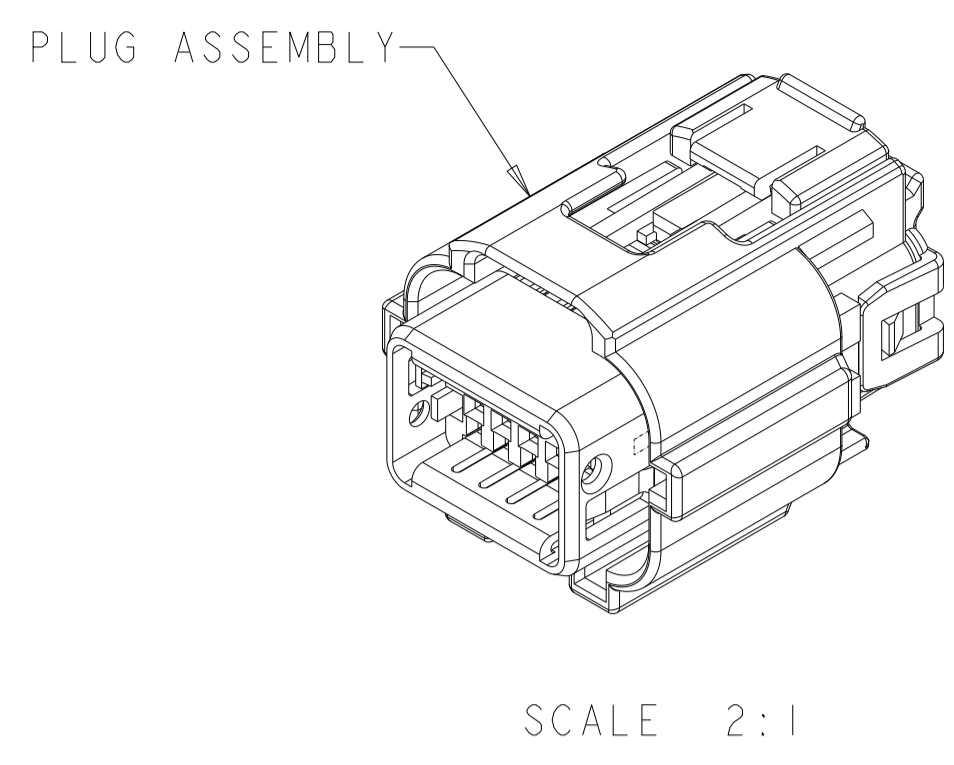
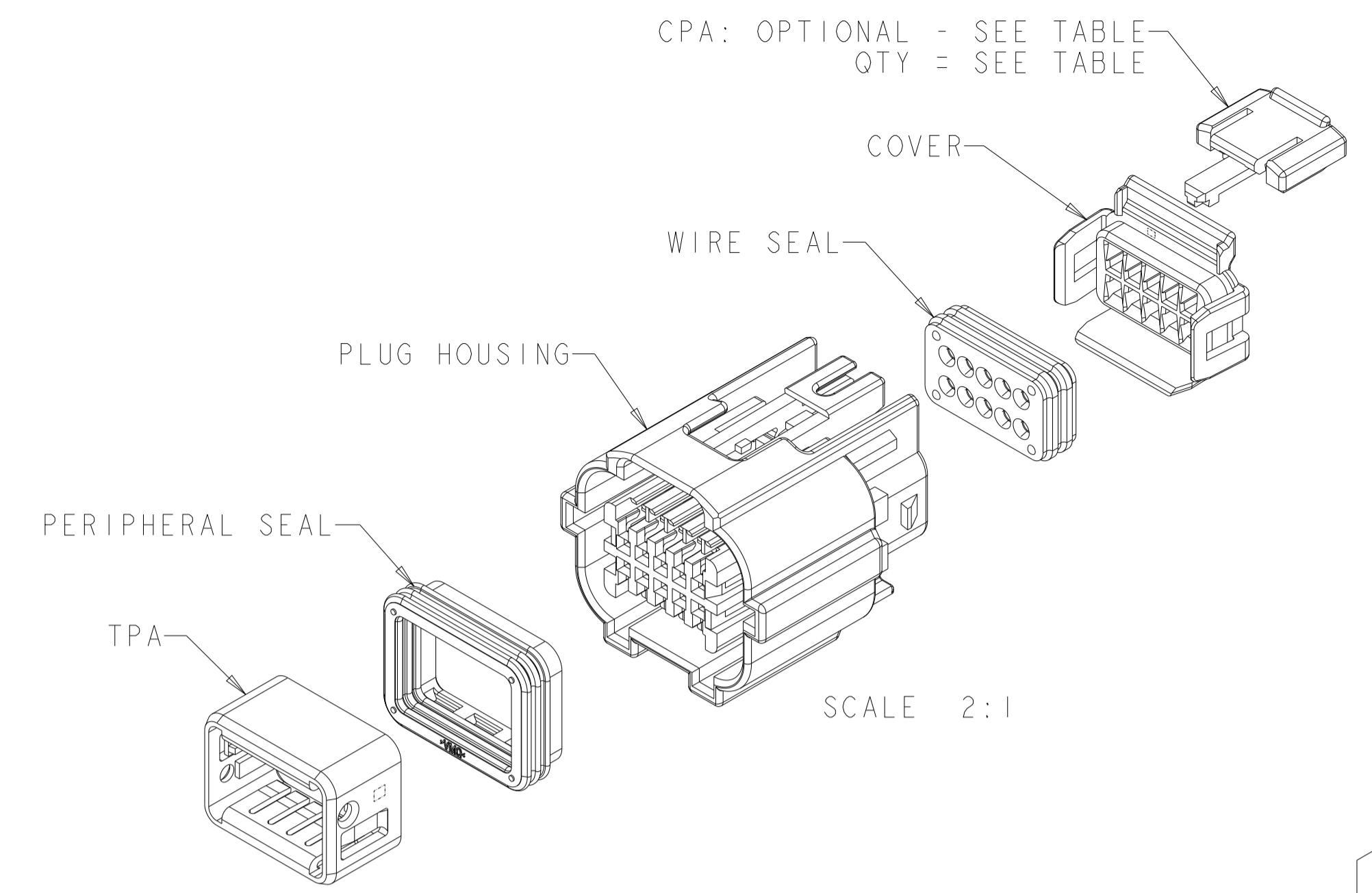


REVISIONS					
P	LTN	DESCRIPTION	DATE	OWN	APVD
K8		REVISED PER ECO-12-003785	16DEC2016	DD	MB
K9		REVISED PER ECO-20-012419	23APR2021	AP	JRV
K10		REVISED PER ECN-20-120512	10OCT2021	CN	JV
K11		REVISED PER ECN-21-125441	09NOV2021	CN	JV



1. 638517-5 SHOWN.
2. PLUG HOUSING: NYLON 6/6, 35% GLASS FILLED, 25% MAX REGRIND. COLOR: SEE TABLE.
 COVER: NYLON 6/6, 35% GLASS FILLED, BLACK, 25% MAX REGRIND.
 TPA: NYLON 6/6, 35% GLASS FILLED, RED, 25% MAX REGRIND.
 PERIPHERAL SEAL AND WIRE SEAL: SILICONE RUBBER, DARK BLUE.
 CPA: PBT, 15% GLASS, RED
3. TPA SHOWN IN PRE-LATCHED POSITION.
4. MARK FOUR DIGIT JULIAN DATE CODE (DDDY), LOCATED IN APPROXIMATE AREA SHOWN.
5. TERMINALS SOLD SEPARATELY, SEE AMP RECOMMENDED P/N 1326028 (GOLD) OR 638551 (TIN) FOR TERMINATION AND REELING OPTIONS.
6. PRELIMINARY - NOT RELEASED FOR PRODUCTION.

PLUG HOUSING COLOR	CPA QTY	KEYING ARRANGEMENT (SEE SHEET 2)	PART NUMBER
OBSOLETE	YELLOW	I	"A" 5-638517-4
BLACK	I	"A"	3-638517-2
BLACK	I	"A"	3-638517-1
BLACK	I	"A"	3-638517-0
BLACK	I	"A"	2-638517-9
BLACK	I	"A"	2-638517-8
BLACK	I	"A"	2-638517-7
BLACK	I	"A"	2-638517-6
BLACK	I	"A"	2-638517-5
TBD	I	"A"	2-638517-4
TBD	I	"A"	2-638517-3
BLACK	I	"A"	2-638517-2
BLACK	I	"A"	2-638517-1
TBD	I	"D"	638517-8
TBD	I	"C"	638517-7
TBD	I	"B"	638517-6
BLACK	I	"A"	638517-5

THIS DRAWING IS A CONTROLLED DOCUMENT. OWN: H. FOLTZ 22FEB00
 CHK: M. SHORE 08MAY01
 G. BALON 08MAY01

DIMENSIONS: mm
 TOLERANCES UNLESS OTHERWISE SPECIFIED:
 0 PLC ±
 1 PLC ±0.2
 2 PLC ±0.10
 3 PLC ±
 4 PLC ±
 ANGLES ±
 FINISH

MATERIAL: 2

CUSTOMER DRAWING

SAE/USCAR-2 8/97

PRODUCT SPEC

APPLICATION SPEC

SAE/USCAR-2 8/97

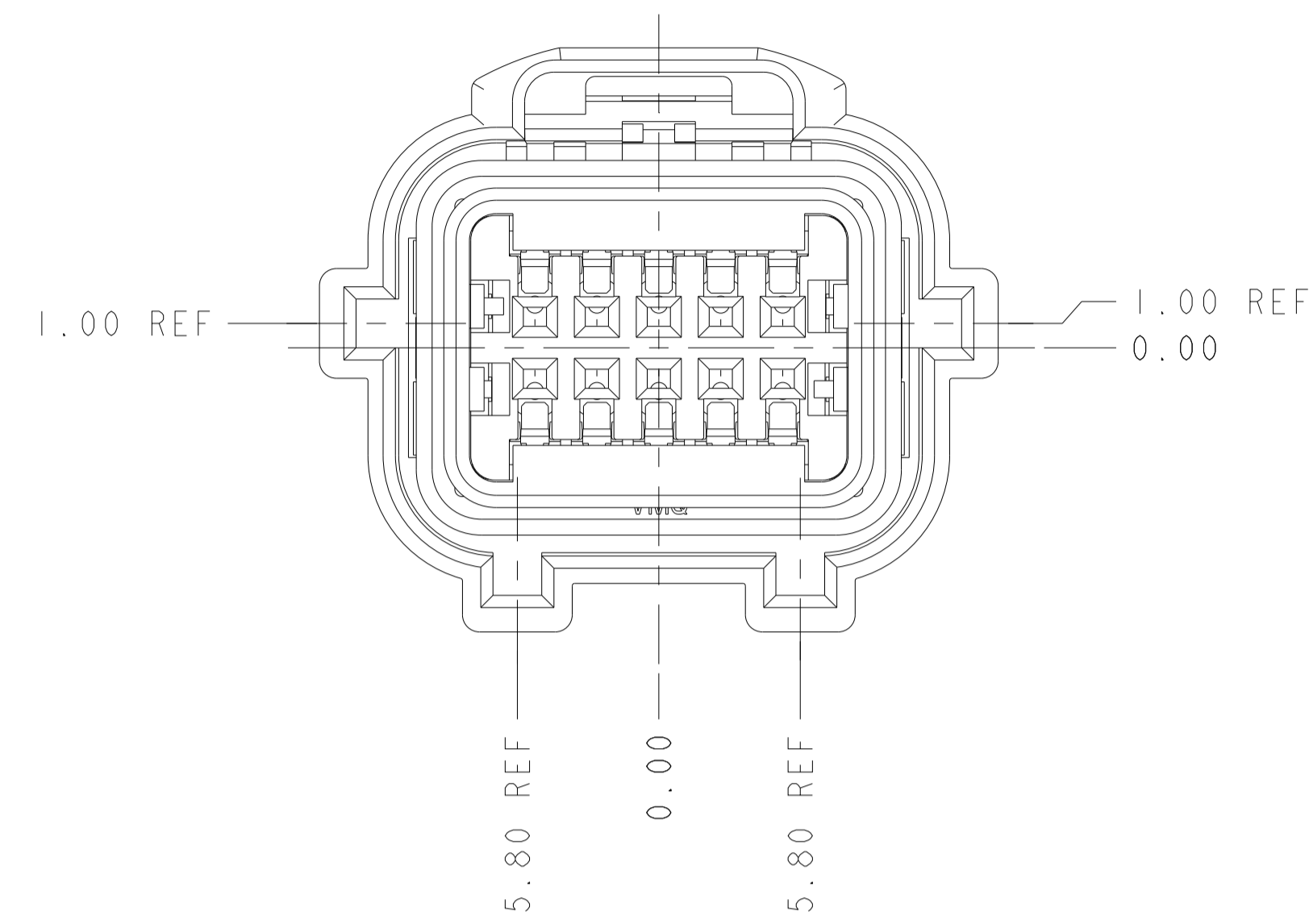
SIZE: A1 CAGE CODE: 00779 DRAWING NO: 638517 RESTRICTED TO: K11

SCALE: 4:1 SHEET: 1 OF 3

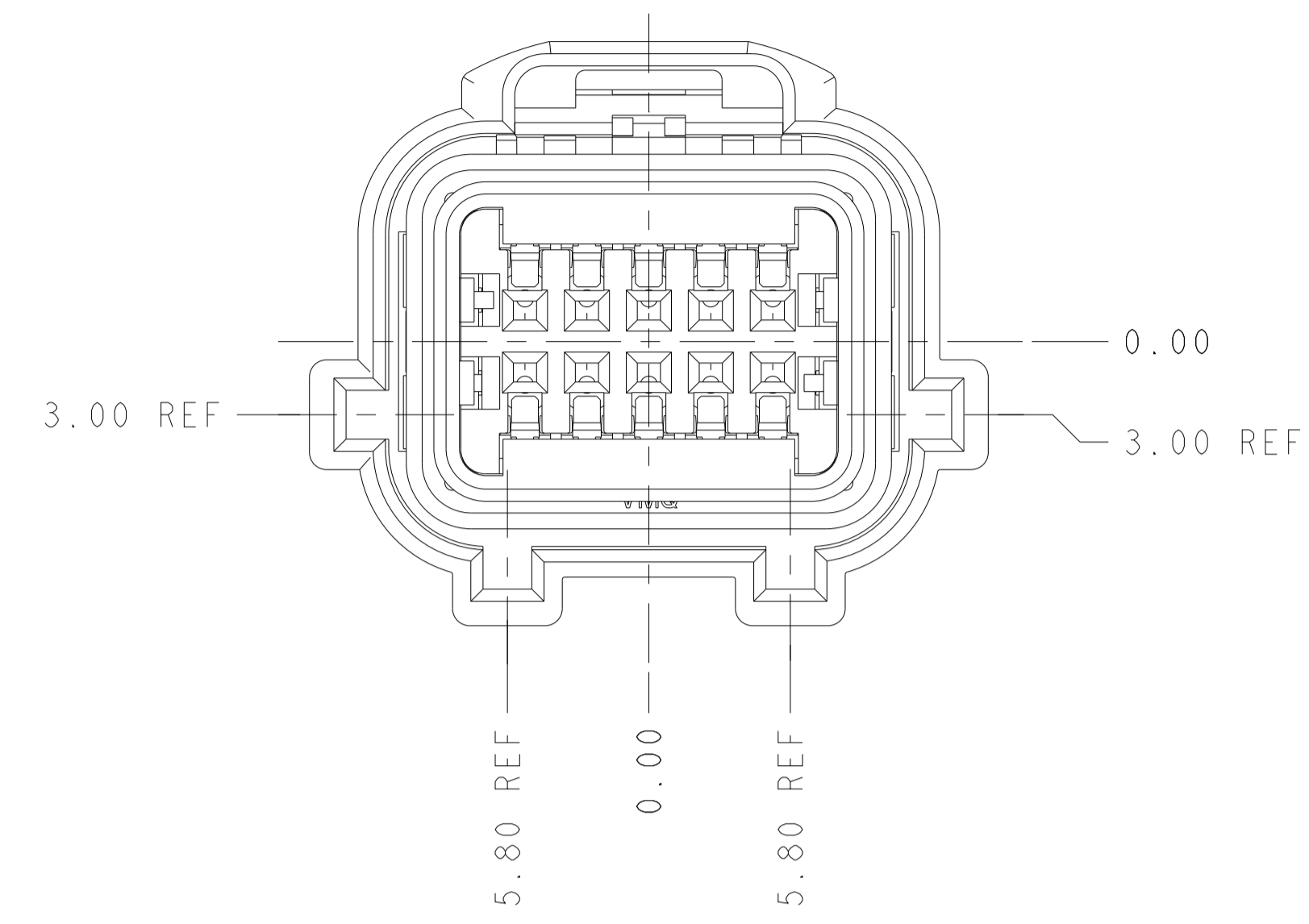
TE Connectivity

PLUG ASSEMBLY, 10 POSITION 2X5, SEALED, 0.64mm CONNECTOR

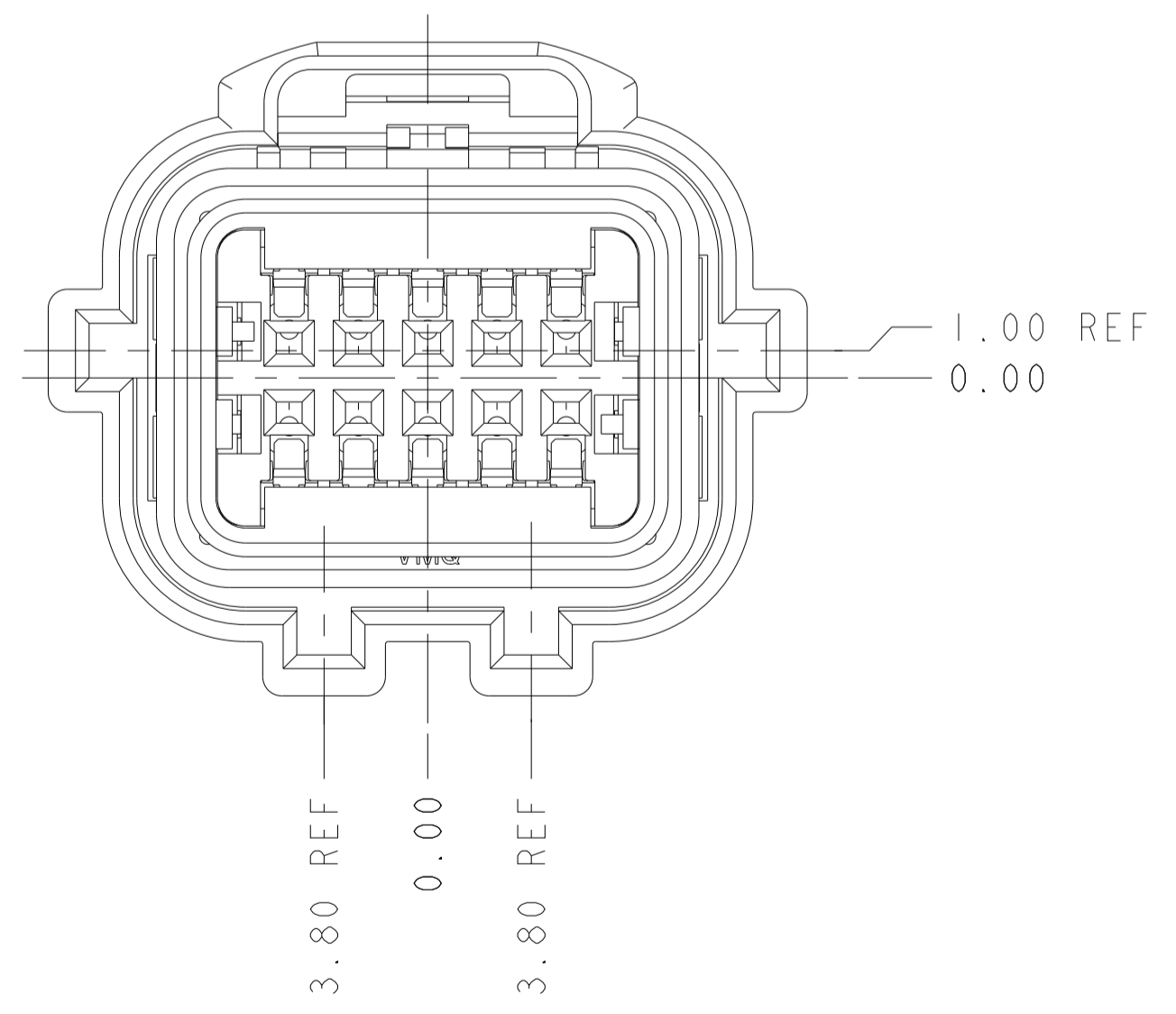
REVISIONS				
P	LTN	DESCRIPTION	DATE	APVD
-		SEE SHEET 1	-	-



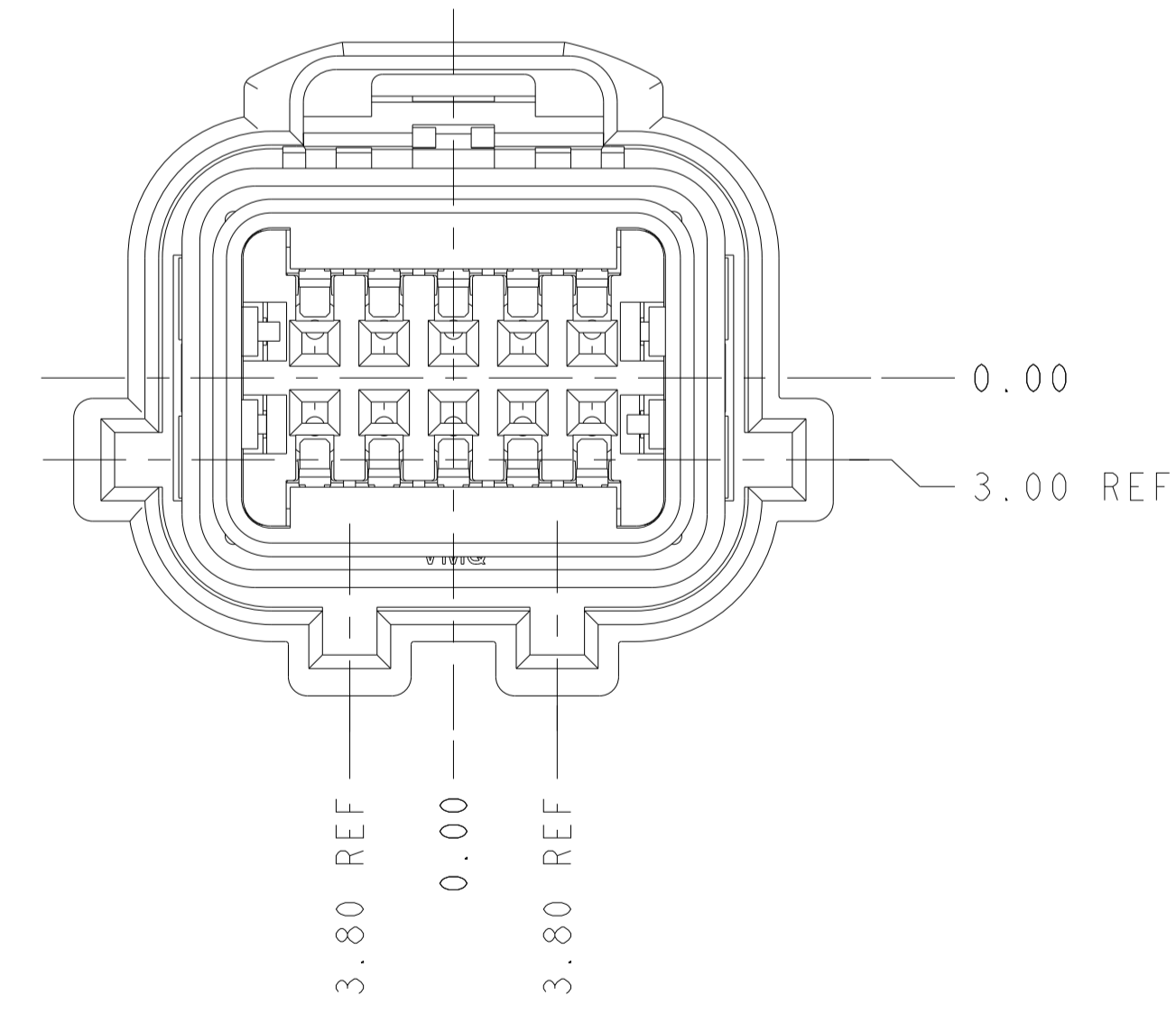
KEY CODE "A"
 (APPLIES TO -5, 2--1, 2--2,
 2--3 THRU 3--1 & 5--4 ONLY)
 SCALE 4:1



KEY CODE "B"
 (APPLIES TO -6 ONLY)
 SCALE 4:1



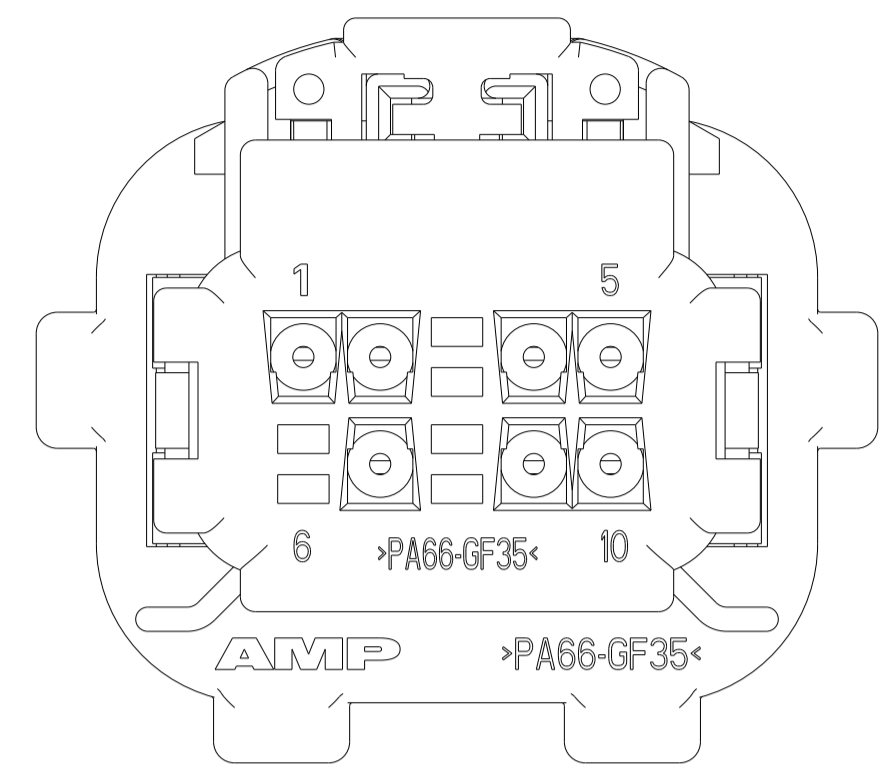
KEY CODE "C"
 (APPLIES TO -7 ONLY)
 SCALE 4:1



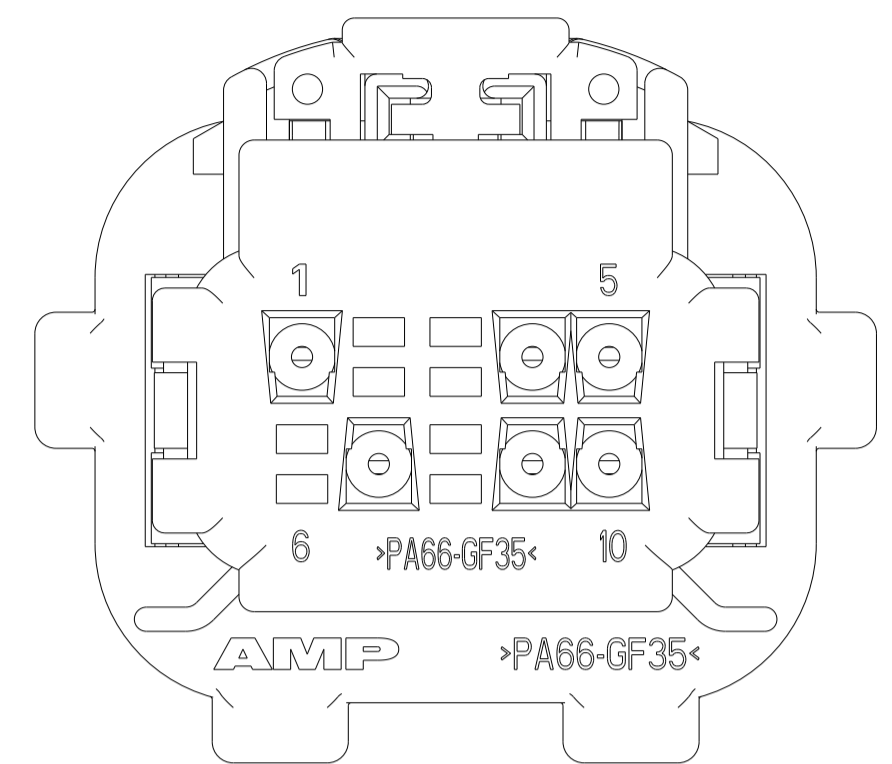
KEY CODE "D"
 (APPLIES TO -8 ONLY)
 SCALE 4:1

THIS DRAWING IS A CONTROLLED DOCUMENT.		DWN K. FOLTZ CHK M. SHORE APVD G. BALON	22FEB00 08MAY01 08MAY01	
DIMENSIONS:		TOLERANCES UNLESS OTHERWISE SPECIFIED:		
mm	0 PLC ±0.2 1 PLC ±0.2 2 PLC ±0.10 3 PLC ±0.10 4 PLC ±0.10 ANGLES ±0.5 FINISH	NAME PLUG ASSEMBLY, 10 POSITION 2X5, SEALED, 0.64mm CONNECTOR		
MATERIAL		PRODUCT SPEC SAE/USCAR-2 8/97	APPLICATION SPEC	SIZE A100779
		WEIGHT	CAGE CODE 638517	RESTRICTED TO
		CUSTOMER DRAWING		SCALE 4:1 SHEET 2 OF 3

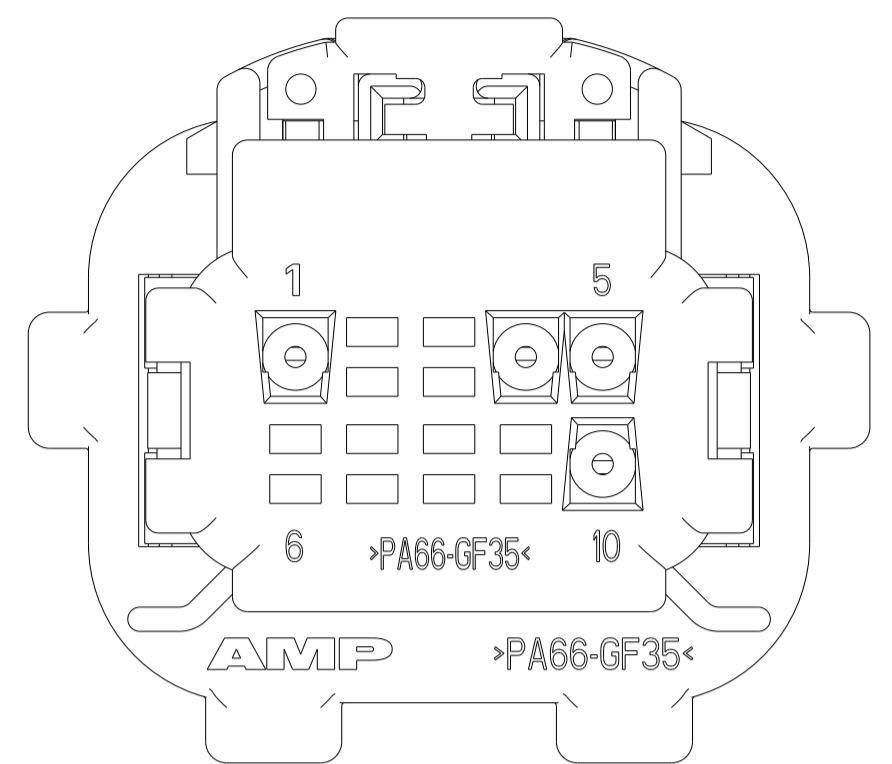
REVISIONS				
P	LTN	DESCRIPTION	DATE	APPD
-		SEE SHEET 1	-	-



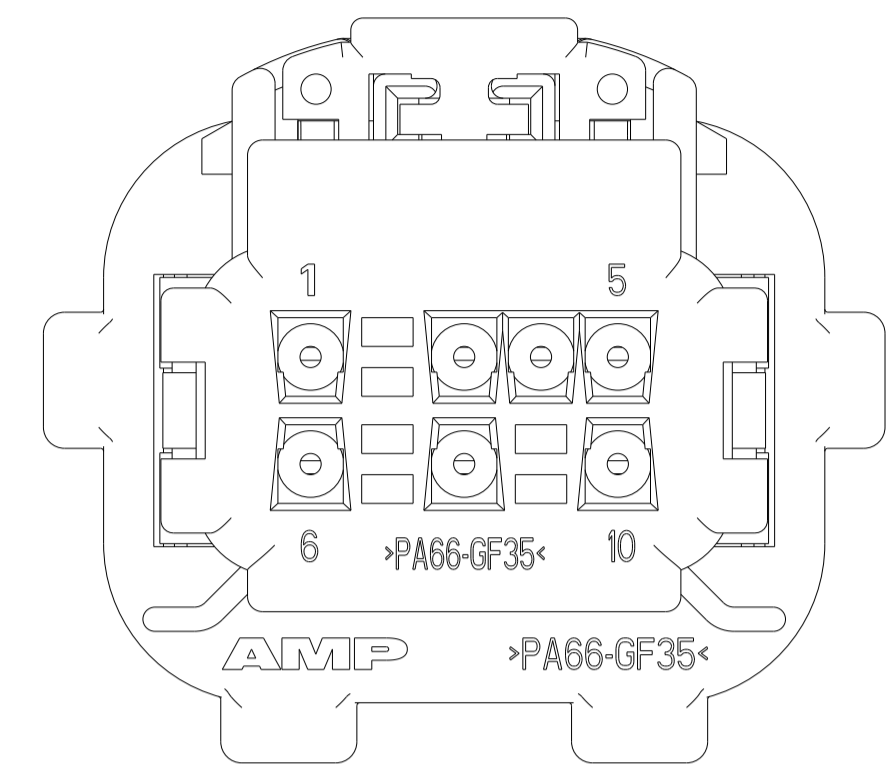
VIEW SHOWS COVER,
FOR 2-638517-1



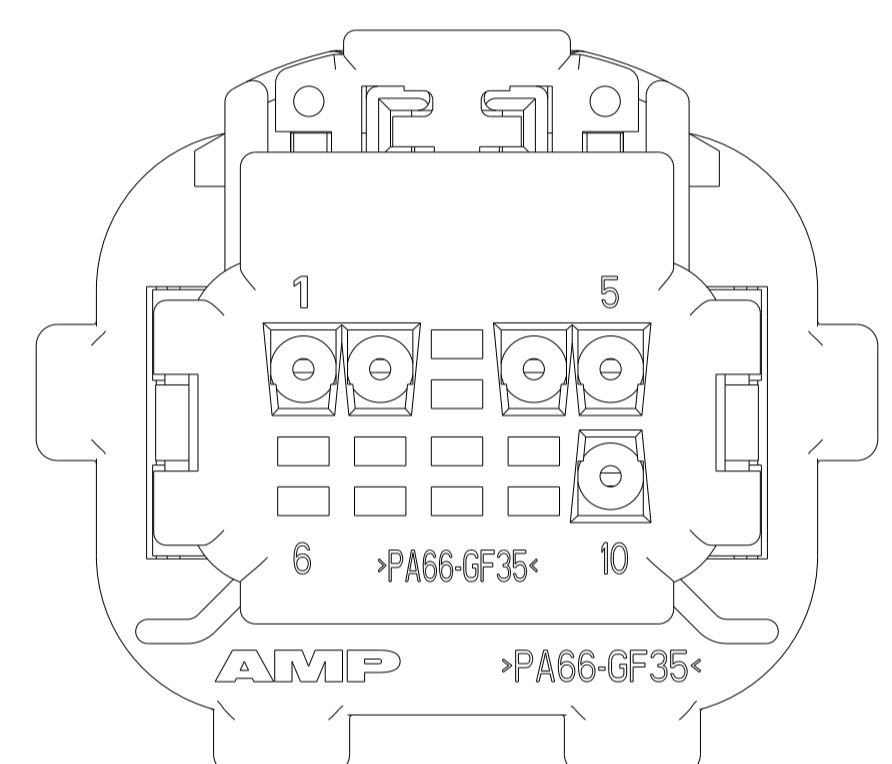
VIEW SHOWS COVER,
FOR 2-638517-2



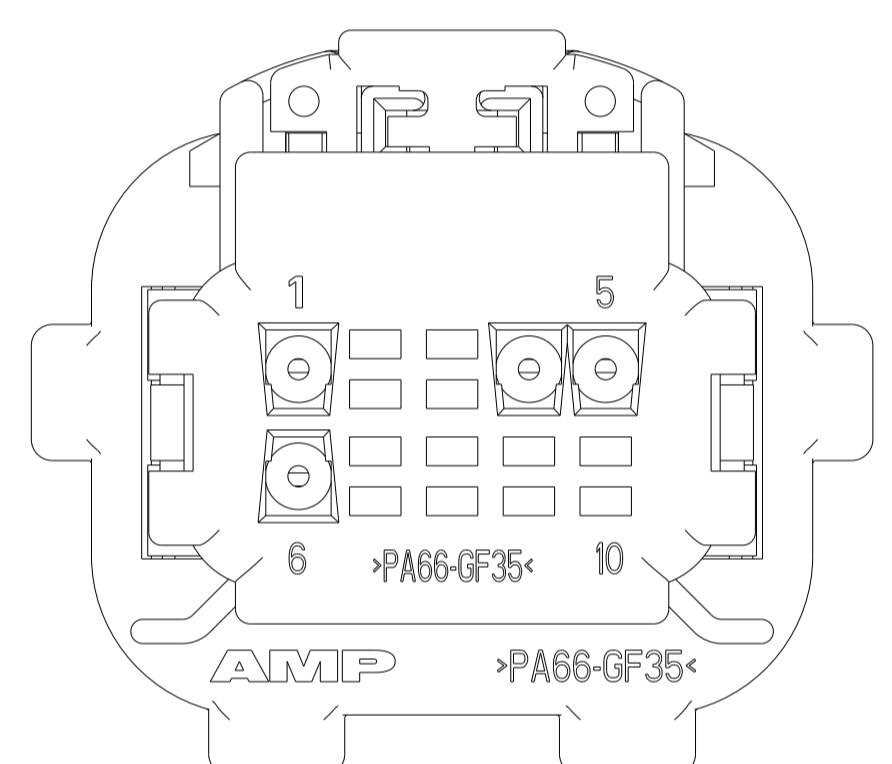
VIEW SHOWS COVER,
FOR 2-638517-3



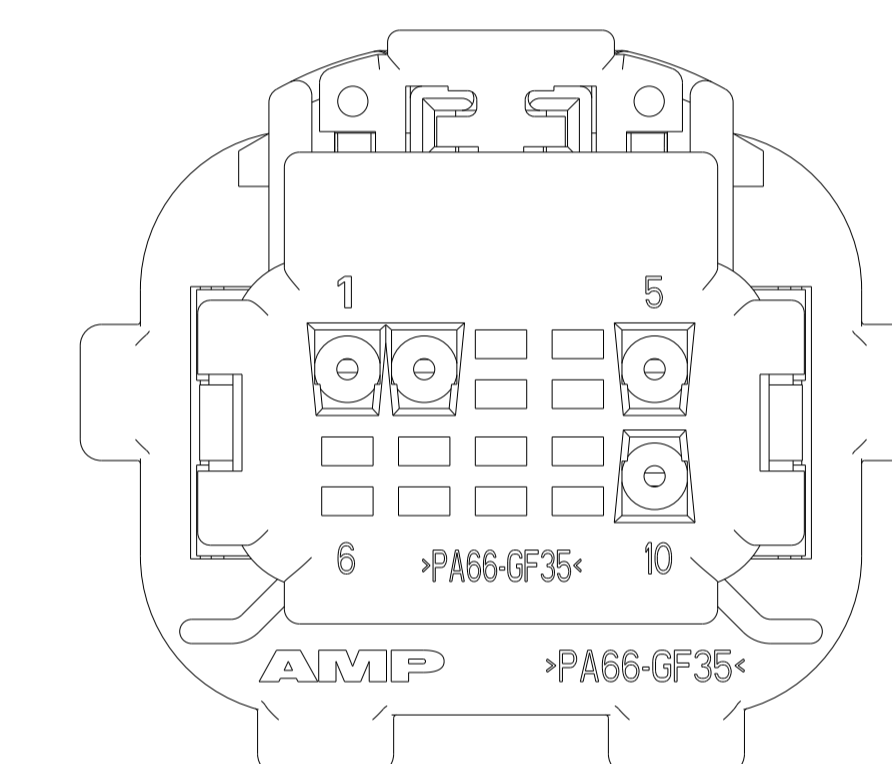
VIEW SHOWS COVER,
FOR 2-638517-4 & 5-638517-4



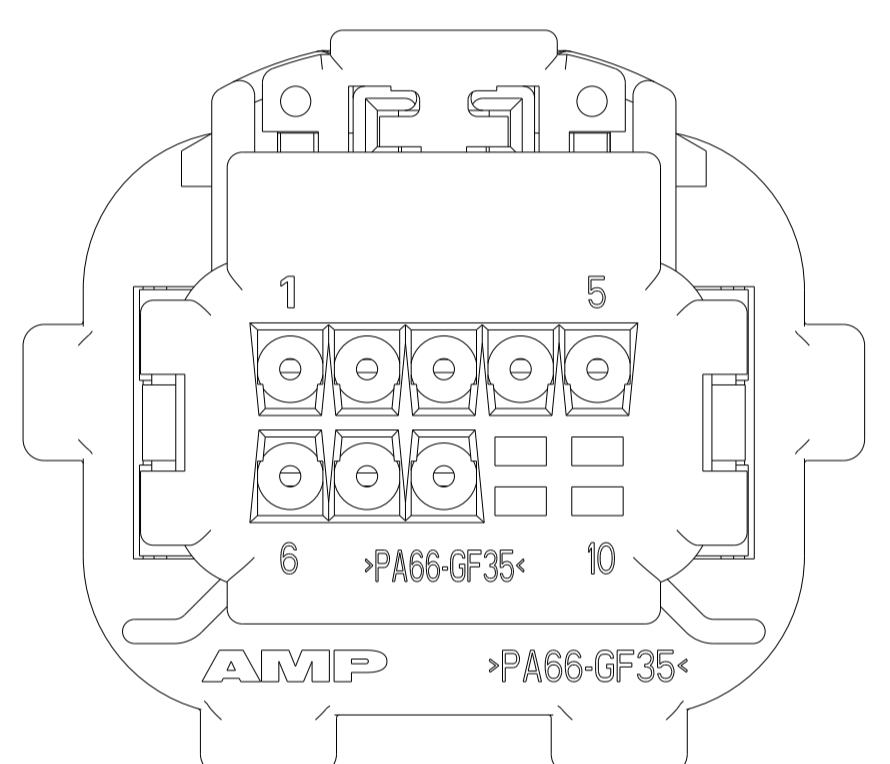
VIEW SHOWS COVER,
FOR 2-638517-5



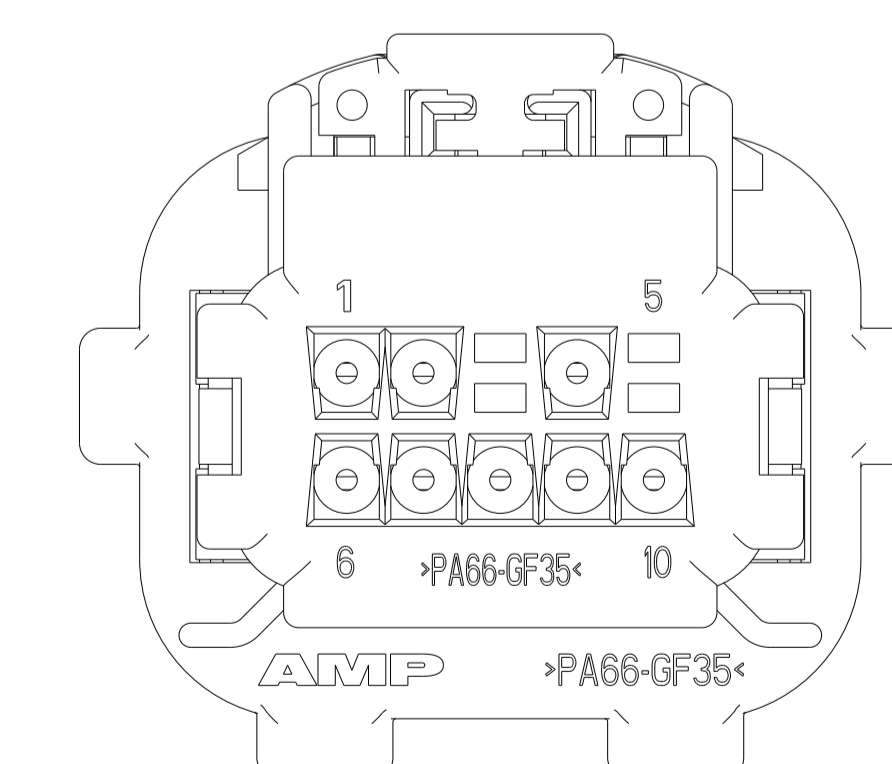
VIEW SHOWS COVER,
FOR 2-638517-6



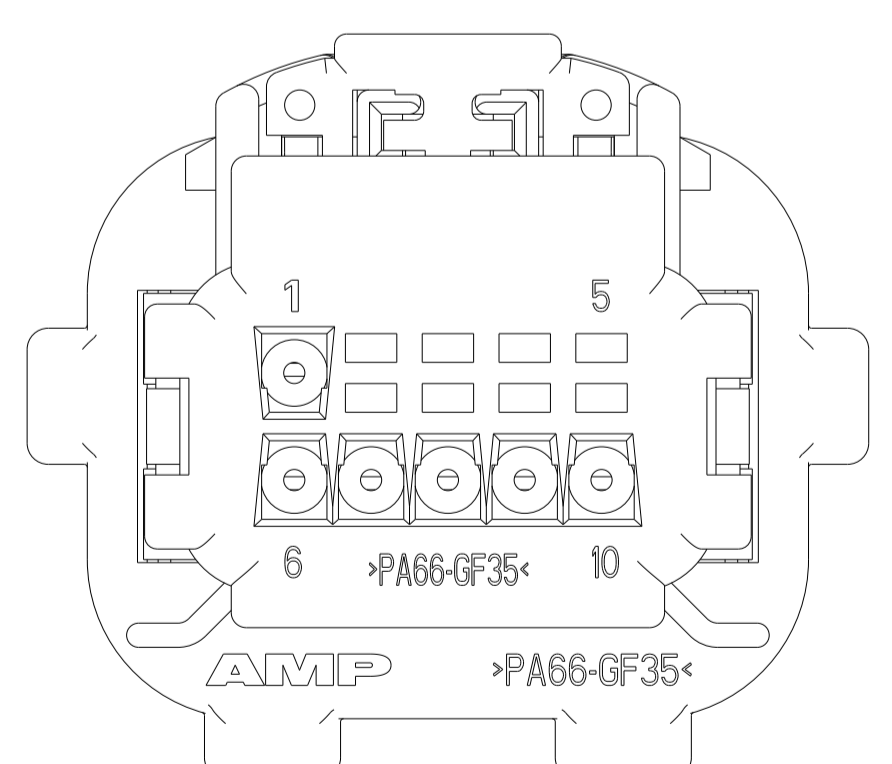
VIEW SHOWS COVER,
FOR 2-638517-7



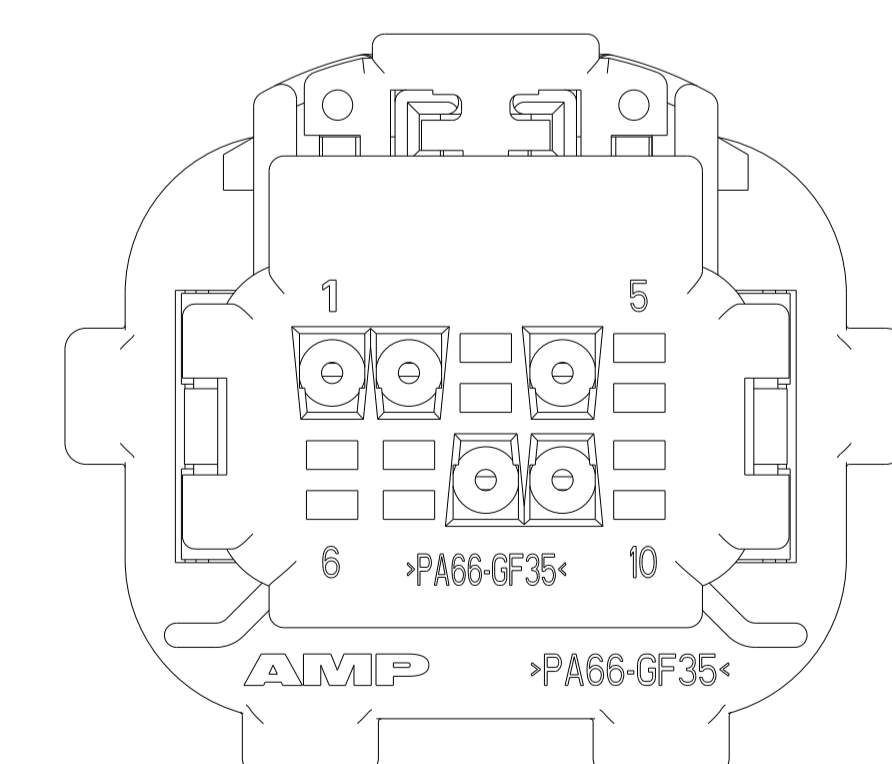
VIEW SHOWS COVER,
FOR 2-638517-8



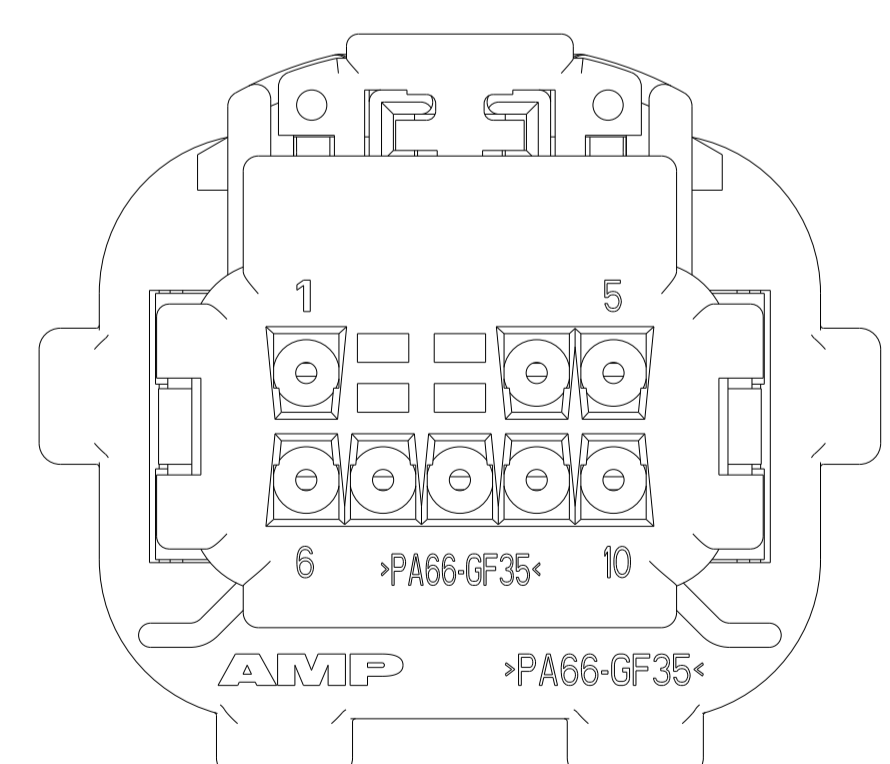
VIEW SHOWS COVER,
FOR 2-638517-9




VIEW SHOWS COVER,
FOR 3-638517-0



VIEW SHOWS COVER,
FOR 3-638517-1



VIEW SHOWS COVER,
FOR 3-638517-2

THIS DRAWING IS A CONTROLLED DOCUMENT.		OWN R. FOLTZ 22FEB00	 TE Connectivity	
DIMENSIONS: mm		CHK M. SHORE 08MAY01		
TOLERANCES UNLESS OTHERWISE SPECIFIED: 0 PLC ± 1 PLC ±0.2 2 PLC ±0.10 3 PLC ± 4 PLC ± ANGLES ± FINISH ±		APVD G. BALON 08MAY01	NAME PLUG ASSEMBLY, 10 POSITION 2X5, SEALED, 0.64mm CONNECTOR	
MATERIAL		PRODUCT SPEC SAE/USCAR-2 8/97	RESTRICTED TO	
		APPLICATION SPEC	SIZE CAGE CODE DRAWING NO	
		WEIGHT	A100779C=638517	
		CUSTOMER DRAWING	SCALE 4:1 SHEET 3 OF 3	