

MATERIALS AND FINISHES

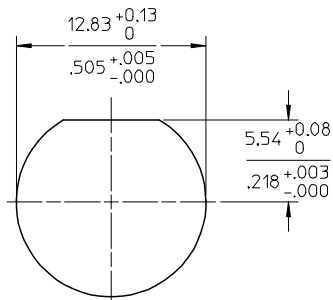
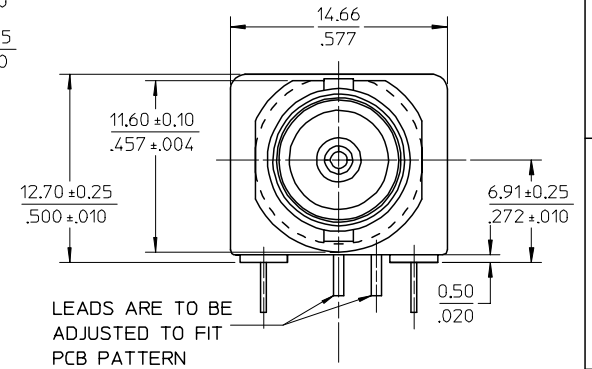
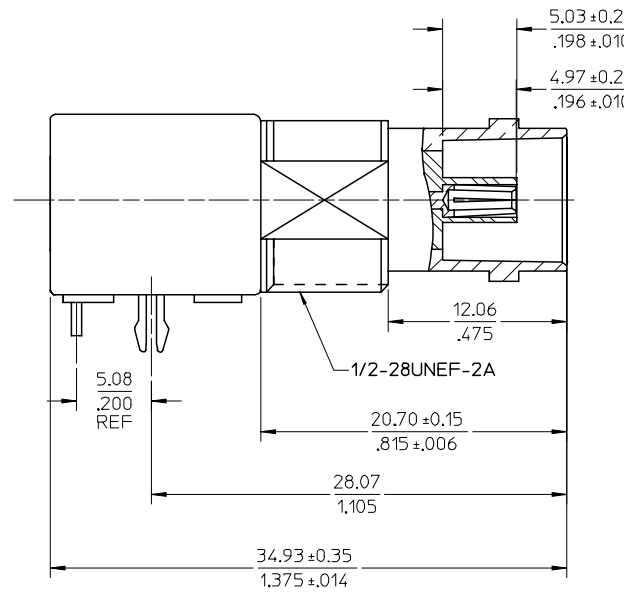
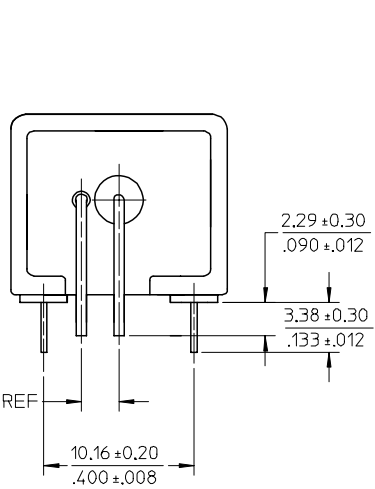
BODY ZINC ALLO
NICKEL PLATED 70 MICROINCHES MIN

CENTER CONTACT PHOSPHOR BRONZE
GOLD PLATED 10 MICROINCHES MIN

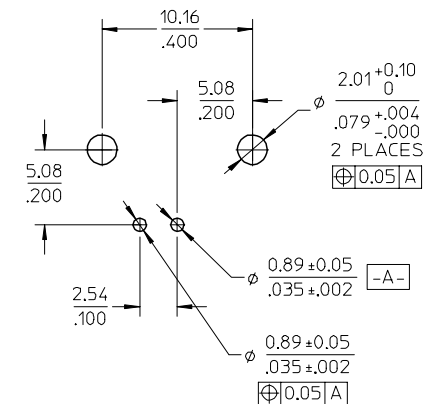
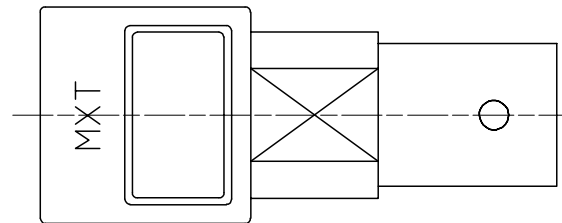
INSULATOR
POLYPROPYLENE (94V2)

BOARD LOCK PHOSPHOR BRONZE
TIN PLATED 200 MICROINCHES MIN

SOLDER TAIL COPPER OVER STEEL
TIN PLATED 200 MICROINCHES MIN



RECOMMENDED MOUNTING HOLE
MAXIMUM PANEL THICKNESS: 5.40mm
RECOMMENDED MOUNTING TORQUE:
12 INCH-POUNDS MAX.



RECOMMENDED PCB HOLE CONFIGURATION

PART # 73101-0570

PS-73598-0051	PRODUCT SPECIFICATION
SPECIFICATION	DESCRIPTION

ENTER DESCRIPTION EC NO: URF2005-0098 DRAWN: CLLI CHKD: APPR: MIUANG	QUALITY SYMBOLS ▽=0 ▽=0	GENERAL TOLERANCES (UNLESS SPECIFIED)		DIMENSION STYLE		SCALE	DESIGN UNITS	THIRD ANGLE PROJECTION		
				MM/IN		1:1	METRIC			
						DRAWN BY DATE		TITLE		
						CHECKED BY DATE		75 OHM BNC R/A PCB (DIE CAST) BNC-J/PCB BNC-PCB/RA/BK		
A REV	DESCRIPTION	DRAFT WHERE APPLICABLE MUST REMAIN WITHIN DIMENSIONS		APPROVED BY DATE		MOLEX INCORPORATED				
				MATERIAL NO.		DOCUMENT NO.		SHEET NO.		
				73101-0570		SD-73101-057		1 OF 1		
THIS DRAWING CONTAINS INFORMATION THAT IS PROPRIETARY TO MOLEX INCORPORATED AND SHOULD NOT BE USED WITHOUT WRITTEN PERMISSION										