

# **LH5164AHN-10LF**

## **64K Static RAM**

(Model Number: LH516AH6)

Spec. Issue Date: October 22, 2004  
Spec No: EL16X053

---

SPEC No.

EL16X053

ISSUE:

Oct. 22. 2004

To: \_\_\_\_\_

## S P E C I F I C A T I O N S

Product Type \_\_\_\_\_ 64k SRAM \_\_\_\_\_

# LH5164AHN-10LF

Model No. \_\_\_\_\_ ( LH516AH6 ) \_\_\_\_\_

\*This specifications contains 20 pages including the cover and appendix.  
If you have any objections, please contact us before issuing purchasing order.

CUSTOMER ACCEPTANCE

DATE: \_\_\_\_\_

BY: \_\_\_\_\_

PRESENTED

BY: M. Okada

M. OKADA

Dept. General Manager

REVIEWED BY:

PREPARED BY:

M. OkadaJ. Morimura

Product Development Dept. 3  
System Flash Memory Division  
Integrated Circuits Group  
SHARP CORPORATION

- Handle this document carefully for it contains material protected by international copyright law. Any reproduction, full or in part, of this material is prohibited without the express written permission of the company.
  
- When using the products covered herein, please observe the conditions written herein and the precautions outlined in the following paragraphs. In no event shall the company be liable for any damages resulting from failure to strictly adhere to these conditions and precautions.
  - (1) The products covered herein are designed and manufactured for the following application areas. When using the products covered herein for the equipment listed in Paragraph (2), even for the following application areas, be sure to observe the precautions given in Paragraph (2). Never use the products for the equipment listed in Paragraph (3).
    - Office electronics
    - Instrumentation and measuring equipment
    - Machine tools
    - Audiovisual equipment
    - Home appliances
    - Communication equipment other than for trunk lines
  
  - (2) Those contemplating using the products covered herein for the following equipment which demands high reliability, should first contact a sales representative of the company and then accept responsibility for incorporating into the design fail-safe operation, redundancy, and other appropriate measures for ensuring reliability and safety of the equipment and the overall system.
    - Control and safety devices for airplanes, trains, automobiles, and other transportation equipment
    - Mainframe computers
    - Traffic control systems
    - Gas leak detectors and automatic cutoff devices
    - Rescue and security equipment
    - Other safety devices and safety equipment, etc.
  
  - (3) Do not use the products covered herein for the following equipment which demands extremely high performance in terms of functionality, reliability, or accuracy.
    - Aerospace equipment
    - Communications equipment for trunk lines
    - Control equipment for the nuclear power industry
    - Medical equipment related to life support, etc.
  
  - (4) Please direct all queries and comments regarding the interpretation of the above three Paragraphs to a sales representative of the company.
  
- Please direct all queries regarding the products covered herein to a sales representative of the company.

### Contents

1. Description	2
2. Pin Configuration	2
3. Truth Table	3
4. Block Diagram	3
5. Absolute Maximum Ratings	4
6. Recommended DC Operating Conditions	4
7. DC Electrical Characteristics	4
8. AC Electrical Characteristics	5
9. Data Retention Characteristics	6
10. Pin Capacitance	6
11. Timing Chart	7
12. Package and Packing Specification	10

1. Description

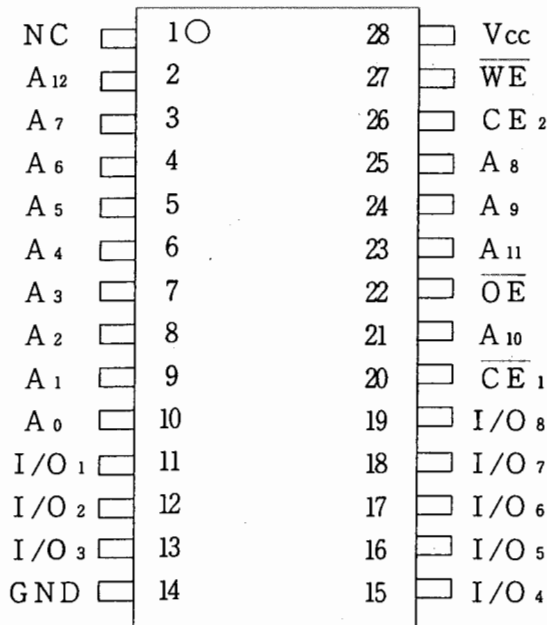
LH5164AHN-10LF is a static RAM organized as 8, 192 × 8 bit with provides low-power standby mode.

It is fabricated using silicon-gate CMOS process technology.

Features

- Access Time . . . . . 100 ns (Max.)
- Operating current . . . . . 50 mA (Max.)
- . . . . . 10 mA (Max.  $t_{RC}$ ,  $t_{WC} = 1 \mu s$ )
- Standby current . . . . . 1.0  $\mu A$  (Max.  $T_a = 70^\circ C$ )
- . . . . . 3.0  $\mu A$  (Max.  $T_a = 85^\circ C$ )
- Data retention current . . . . . 0.2  $\mu A$  (Max.  $V_{CCDR} = 3V$ ,  $T_a = 25^\circ C$ )
- Single power supply . . . . .  $5V \pm 10\%$
- Operating temperature . . . . .  $-40^\circ C$  to  $+85^\circ C$
- Fully static operation
- Three-state output
- Not designed or rated as radiation hardened
- 28 pin SOP (SOP28-P-450) plastic package
- P-type bulk silicon

2. Pin Configuration



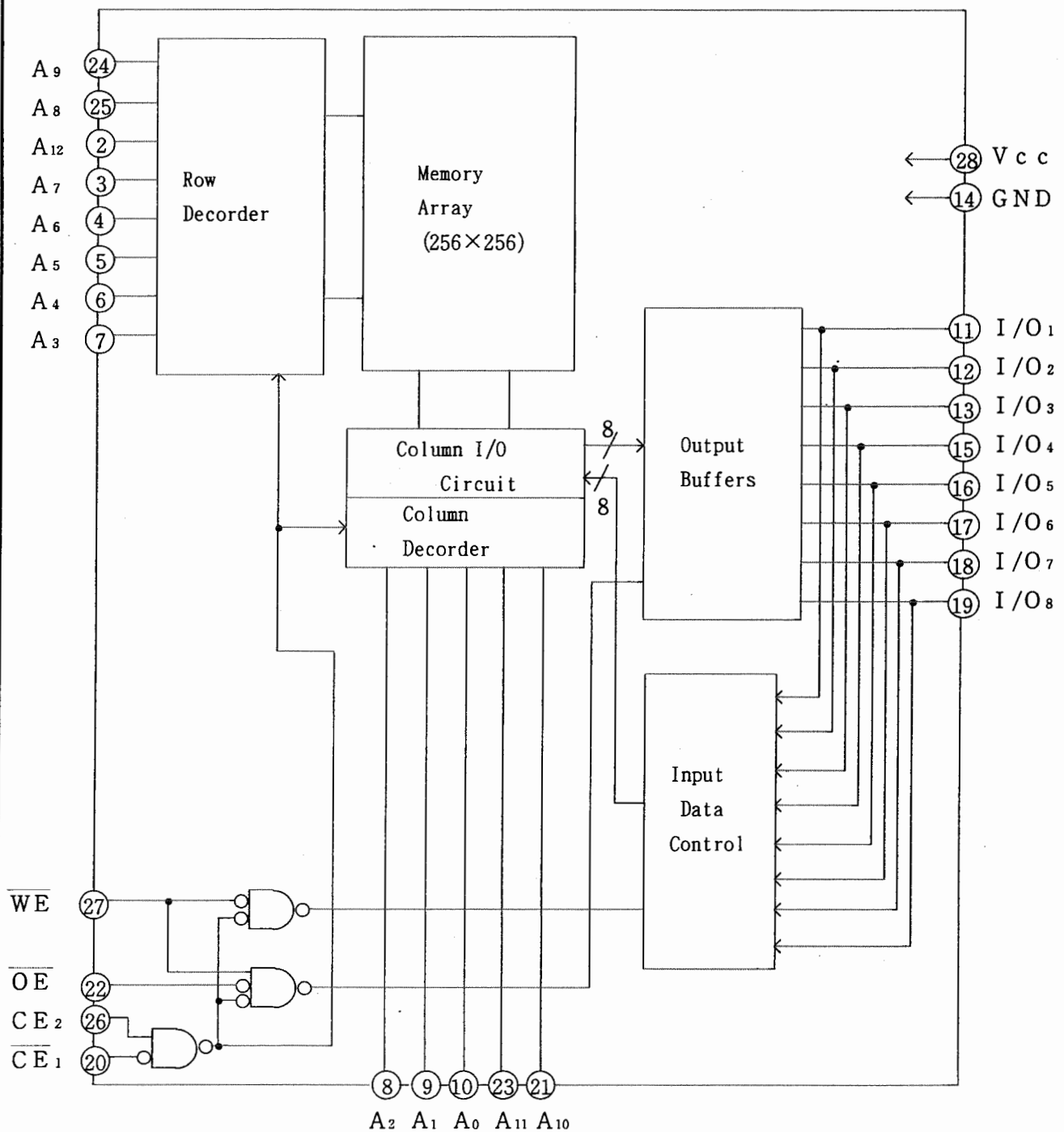
Pin Name	Function
A <sub>0</sub> to A <sub>12</sub>	Address inputs
$\overline{CE_1}/\overline{CE_2}$	Chip enable
$\overline{WE}$	Write enable
$\overline{OE}$	Output enable
I/O <sub>1</sub> to I/O <sub>8</sub>	Data inputs/outputs
V <sub>cc</sub>	Power supply
GND	Ground
NC	Non connection

### 3. Truth Table

$\overline{CE}_1$	$CE_2$	$\overline{WE}$	$\overline{OE}$	Mode	I/O <sub>1</sub> to I/O <sub>8</sub>	Supply current
H	*	*	*	Standby	High impedance	Standby (I <sub>sb</sub> )
*	L	*	*	Standby	High impedance	Standby (I <sub>sb</sub> )
L	H	L	*	Write	Data input	Active (I <sub>cc</sub> )
L	H	H	L	Read	Data output	Active (I <sub>cc</sub> )
L	H	H	H	Output disable	High impedance	Active (I <sub>cc</sub> )

(\* = Don't Care, L=Low, H=High)

### 4. Block Diagram



## 5. Absolute Maximum Ratings

Parameter	Symbol	Ratings	Unit
Supply voltage (*1)	V <sub>CC</sub>	-0.3 to +7.0	V
Input voltage (*1)	V <sub>IN</sub>	-0.3 (*2) to V <sub>CC</sub> +0.3	V
Operating temperature	T <sub>OPR</sub>	-40 to +85	°C
Storage temperature	T <sub>STG</sub>	-65 to +150	°C

Note) \*1. The maximum applicable voltage on any pin with respect to GND.

\*2. Undershoot of -3.0V is allowed width of pluse below 50ns.

## 6. Recommended DC Operating Conditions

(T<sub>a</sub> = -40°C to +85°C)

Parameter	Symbol	Min.	Typ.	Max.	Unit
Supply voltage	V <sub>CC</sub>	4.5	5.0	5.5	V
Input voltage	V <sub>IH</sub>	2.2		V <sub>CC</sub> +0.3	V
	V <sub>IL</sub>	-0.3 (*3)		0.8	V

Note) \*3. Undershoot of -3.0V is allowed width of pluse below 50ns.

## 7. DC Electrical Characteristics

(T<sub>a</sub> = -40°C to +85°C, V<sub>CC</sub> = 5V ± 10%)

Parameter	Symbol	Conditions	Min.	Typ.	Max.	Unit
Input leakage current	I <sub>LI</sub>	V <sub>IN</sub> =0V to V <sub>CC</sub>	-1.0		1.0	μA
Output leakage current	I <sub>LO</sub>	$\overline{CE_1}=V_{IH}$ or $\overline{CE_2}=V_{IL}$ or $\overline{OE}=V_{IH}$ or $\overline{WE}=V_{IL}$ V <sub>I/O</sub> =0V to V <sub>CC</sub>	-1.0		1.0	μA
Operating supply current	I <sub>CC</sub>	$\overline{CE_1}=V_{IL}$ , V <sub>IN</sub> =V <sub>IL</sub> or V <sub>IH</sub> CE <sub>2</sub> =V <sub>IH</sub> , I <sub>I/O</sub> =0mA		t <sub>CYCLE</sub> =100ns	50	mA
	I <sub>CC1</sub>	$\overline{CE_1}=0.2V$ , V <sub>IN</sub> =0.2V or V <sub>CC</sub> -0.2V CE <sub>2</sub> =V <sub>CC</sub> -0.2V, I <sub>I/O</sub> =0mA		t <sub>CYCLE</sub> =1.0μs	10	mA
Standby current	I <sub>SB</sub>	$\overline{CE_1}, \overline{CE_2} \geq V_{CC} - 0.2V$ or CE <sub>2</sub> ≤ 0.2V		T <sub>a</sub> =70°C	1.0	μA
				T <sub>a</sub> =85°C	3.0	μA
	I <sub>SB1</sub>	$\overline{CE_1}=V_{IH}$ or CE <sub>2</sub> =V <sub>IL</sub>			5	mA
Output voltage	V <sub>OL</sub>	I <sub>OL</sub> = 2.1mA			0.4	V
	V <sub>OH</sub>	I <sub>OH</sub> = -1.0mA	2.4			V

## 8. AC Electrical Characteristics

## AC Test Conditions

Input pulse level	0.6 V to 2.4	V
Input rise and fall time	10	ns
Input and Output timing Ref. level	1.5	V
Output load	1 TTL + C <sub>L</sub>	(*4)

Note) \*4. Including scope and jig capacitance.

## Read cycle

(T<sub>a</sub> = -40°C to +85°C, V<sub>cc</sub> = 5V ± 10%)

Parameter	Symbol	Min.	Typ.	Max.	Unit
Read cycle time	t <sub>RC</sub>	100			ns
Address access time	t <sub>AA</sub>			100	ns
CE <sub>1</sub> access time	t <sub>ACE1</sub>			100	ns
CE <sub>2</sub> access time	t <sub>ACE2</sub>			100	ns
Output enable to output valid	t <sub>OE</sub>			40	ns
Output hold from address change	t <sub>OH</sub>	10			ns
CE <sub>1</sub> Low to output active	t <sub>LZ1</sub>	10			ns
CE <sub>2</sub> High to output active	t <sub>LZ2</sub>	10			ns
OE Low to output active	t <sub>OLZ</sub>	5			ns
CE <sub>1</sub> High to output in High impedance	t <sub>HZ1</sub>	0		30	ns
CE <sub>2</sub> Low to output in High impedance	t <sub>HZ2</sub>	0		30	ns
OE High to output in High impedance	t <sub>OHZ</sub>	0		20	ns

## Write cycle

(T<sub>a</sub> = -40°C to +85°C, V<sub>cc</sub> = 5V ± 10%)

Parameter	Symbol	Min.	Typ.	Max.	Unit
Write cycle time	t <sub>wc</sub>	100			ns
CE <sub>1</sub> Low to end of write	t <sub>cw1</sub>	80			ns
CE <sub>2</sub> High to end of write	t <sub>cw2</sub>	80			ns
Address valid to end of write	t <sub>AW</sub>	80			ns
Address setup time	t <sub>AS</sub>	0			ns
Write pulse width	t <sub>wP</sub>	60			ns
Write recovery time	t <sub>wR</sub>	0			ns
Input data setup time	t <sub>DW</sub>	40			ns
Input data hold time	t <sub>DH</sub>	0			ns
WE High to output active	t <sub>OW</sub>	10			ns
WE Low to output in High impedance	t <sub>wz</sub>	0		30	ns
OE High to output in High impedance	t <sub>OHZ</sub>	0		20	ns



## 9. Data Retention Characteristics

(Ta = -40 °C to +85 °C)

Parameter	Symbol	Conditions	Min.	Typ.	Max.	Unit
Data Retention supply voltage	V <sub>CCDR</sub>	CE <sub>2</sub> ≤ 0.2 V or CE <sub>1</sub> ≥ V <sub>CCDR</sub> - 0.2 V (*5)	2.0		5.5	V
Data Retention supply current	I <sub>CCDR</sub>	V <sub>CCDR</sub> = 3 V			0.2	μA
		CE <sub>2</sub> ≤ 0.2 or			0.6	μA
		CE <sub>1</sub> ≥ V <sub>CCDR</sub> - 0.2 V (*5)			1.5	μA
Chip enable setup time	t <sub>CDR</sub>		0			ns
Chip enable hold time	t <sub>R</sub>		(*6) t <sub>RC</sub>			ns

Note) \*5. CE<sub>2</sub> ≥ V<sub>CCDR</sub> - 0.2 V or CE<sub>2</sub> ≤ 0.2 V

\*6. Read Cycle

## 10. Pin Capacitance

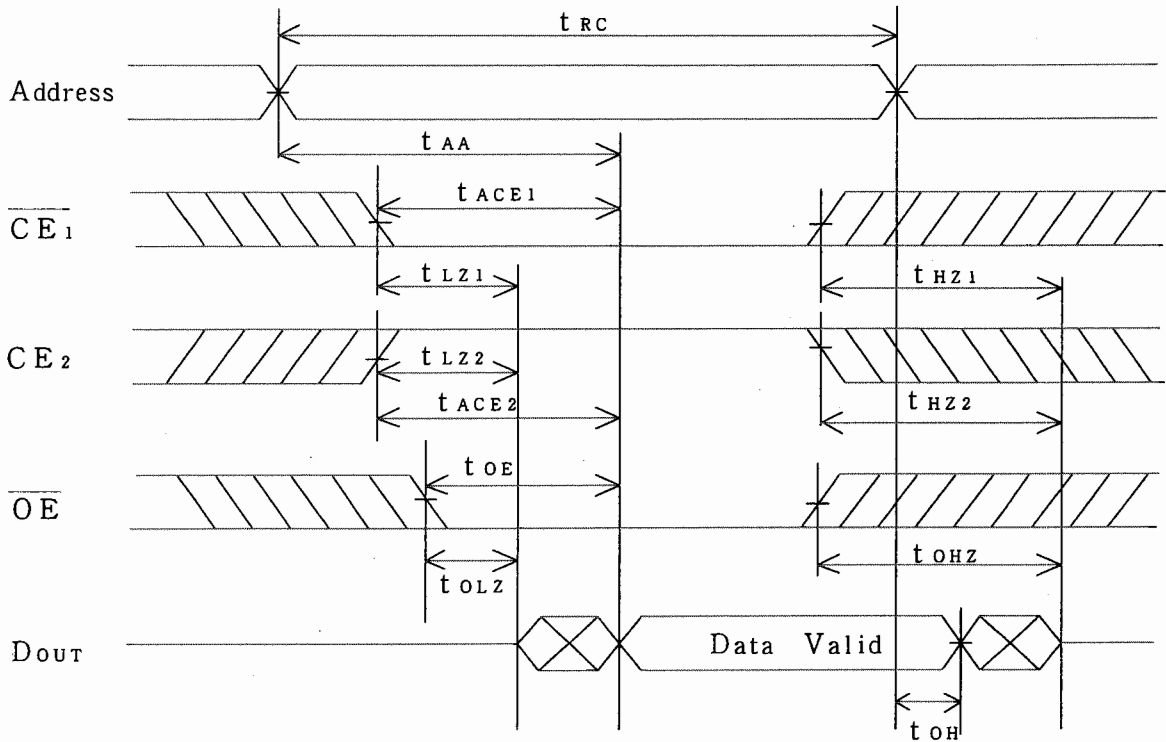
(Ta = 25 °C, f = 1 MHz)

Parameter	Symbol	Conditions	Min.	Typ.	Max.	Unit
Input capacitance	C <sub>IN</sub>	V <sub>IN</sub> = 0 V			7	pF *7
I/O capacitance	C <sub>I/O</sub>	V <sub>I/O</sub> = 0 V			10	pF *7

Note) \*7. This parameter is sampled and not production tested.

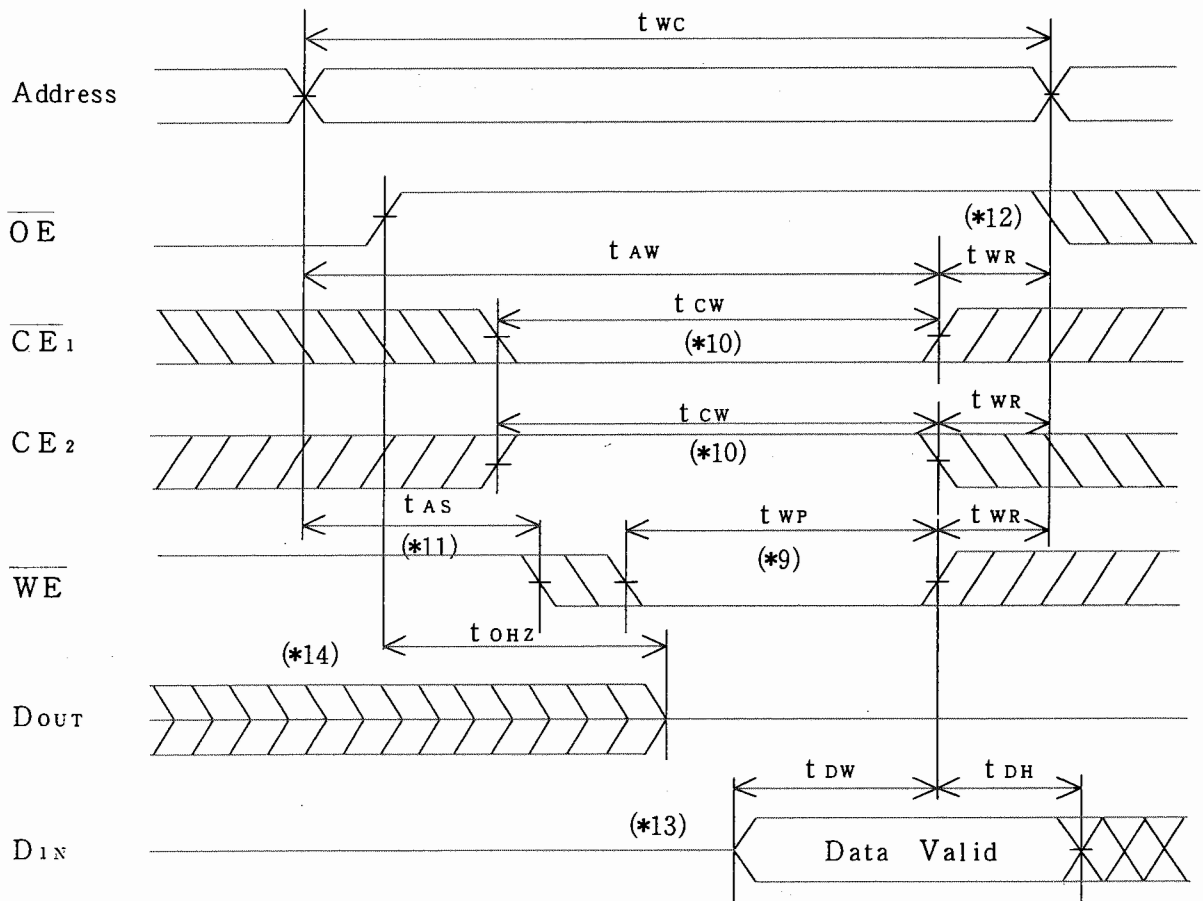
## 11. Timing Chart

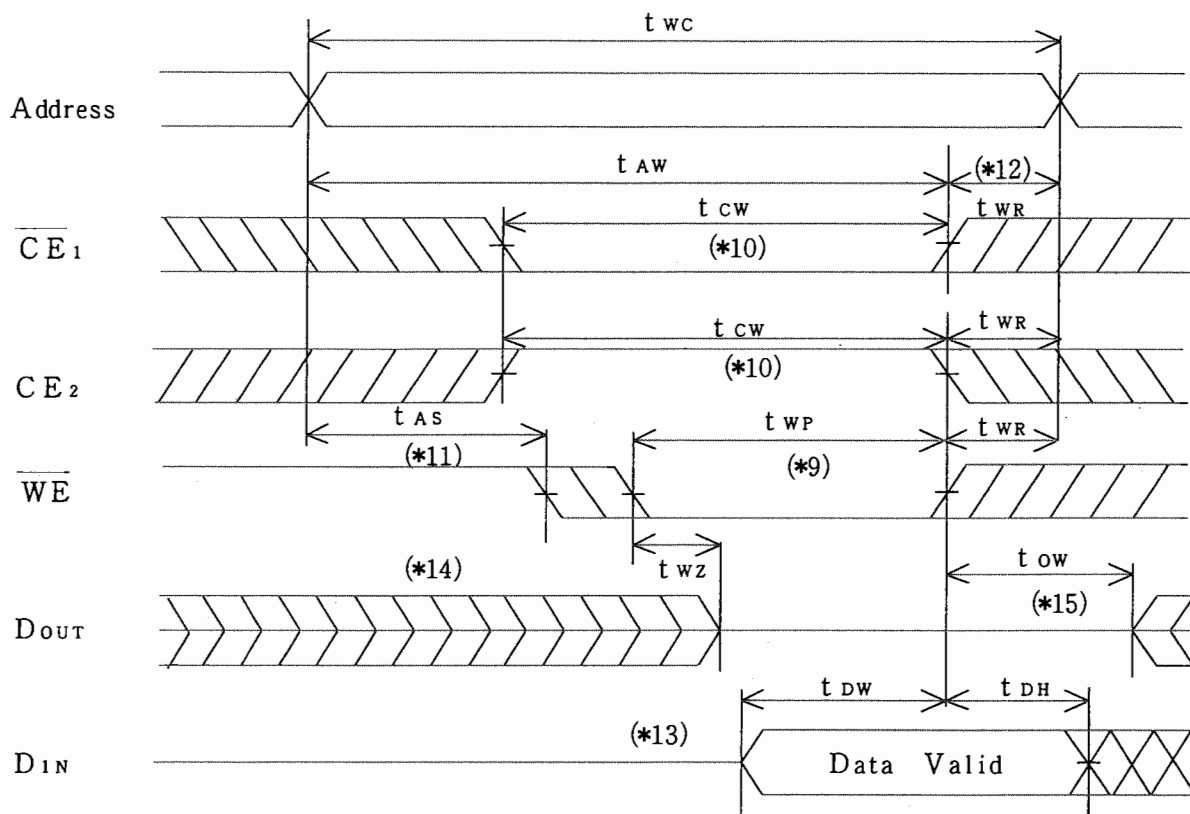
Read cycle timing chart— (\*8)



Note) \*8.  $\overline{WE}$  is high for Read cycle.

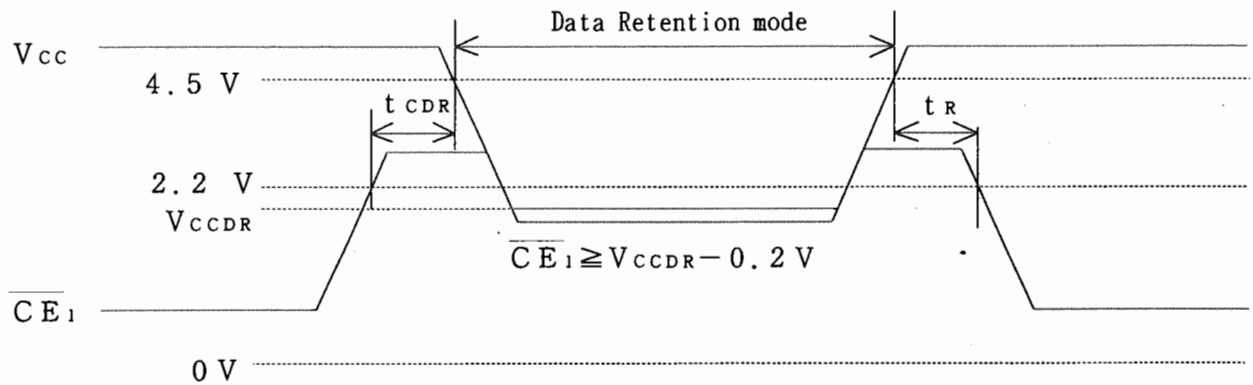
Write cycle timing chart— ( $\overline{OE}$  Controlled)



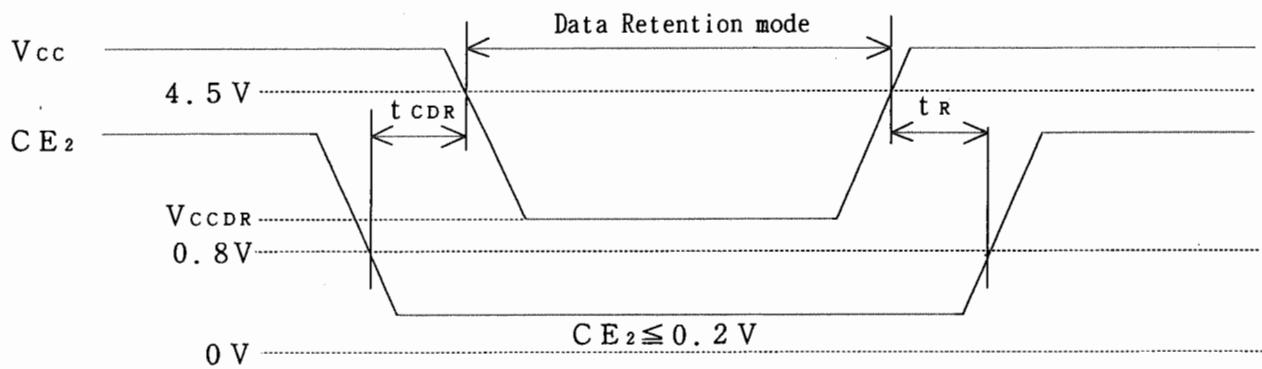
Write cycle timing chart— ( $\overline{OE}$  Low fixed)

- Note) \* 9. A write occurs during the overlap of a low  $\overline{CE}_1$ , a high  $CE_2$  and a low  $\overline{WE}$ . A write begins at the latest transition among  $\overline{CE}_1$  going low,  $CE_2$  going high and  $\overline{WE}$  going low. A write ends at the earliest transition among  $\overline{CE}_1$  going high,  $CE_2$  going low and  $\overline{WE}$  going high.  $t_{wp}$  is measured from the beginning of write to the end of write.
- \* 10.  $t_{cw}$  is measured from the later of  $\overline{CE}_1$  going low or  $CE_2$  going high to the end of write.
- \* 11.  $t_{as}$  is measured from the address valid to the beginning of write.
- \* 12.  $t_{wr}$  is measured from the end of write to the address change.  $t_{wr1}$  applies in case a write ends at  $\overline{CE}_1$  or  $\overline{WE}$  going high.  $t_{wr2}$  applies in case a write ends at  $CE_2$  going low.
- \* 13. During this period, I/O pins are in the output state, therefore the input signals of opposite phase to the outputs must not be applied.
- \* 14. If  $\overline{CE}_1$  goes low simultaneously with  $\overline{WE}$  going low or after  $\overline{WE}$  going low, the outputs remain in high impedance state.
- \* 15. If  $\overline{CE}_1$  goes high simultaneously with  $\overline{WE}$  going high or before  $\overline{WE}$  going high, the outputs remain in high impedance state.

Data Retention timing chart - ( $\overline{CE_1}$  Controlled) (\*16)



Data Retention timing chart - ( $CE_2$  Controlled)



Note) \*16. To control the data retention mode at  $\overline{CE_1}$ , fix the input level of  $CE_2$  between  $V_{CCDR}$  and  $V_{CCDR} - 0.2V$  or  $0V$  and  $0.2V$  during the data retention mode.

12 Package and packing specification

[Applicability]

This specification applies to IC package of the LEAD-FREE delivered as a standard specification.

1.Storage Conditions.

1-1.Storage conditions required before opening the dry packing.

- Normal temperature : 5~40°C
- Normal humidity : 80%( Relative humidity) max.
- "Humidity" means "Relative humidity"

1-2.Storage conditions required after opening the dry packing.

In order to prevent moisture absorption after opening, ensure the following storage conditions apply:

- (1) Storage conditions for one-time soldering. (Convection reflow<sup>\*1</sup>, IR/Convection reflow.<sup>\*1</sup>, or Manual soldering. )
    - Temperature : 5~25°C
    - Humidity : 60% max.
    - Period : 96 hours max. after opening.
  - (2) Storage conditions for one-time soldering . ( Solder dipping . )
    - Temperature : 5~25°C
    - Humidity : 60% Max.
    - Period : 96 hours max. after opening.
  - (3) Storage conditions for two-time soldering. (Convection reflow<sup>\*1</sup>, IR/Convection reflow.<sup>\*1</sup>)
    - a. Storage conditions following opening and prior to performing the 1st reflow.
      - Temperature : 5~25°C
      - Humidity : 60% max.
      - Period : 96 hours max. after opening.
    - b. Storage conditions following completion of the 1st reflow and prior to performing the 2nd reflow.
      - Temperature : 5~25°C
      - Humidity : 60% max.
      - Period : 96 hours max. after completion of the 1st reflow.
- <sup>\*1</sup>:Air or nitrogen environment.

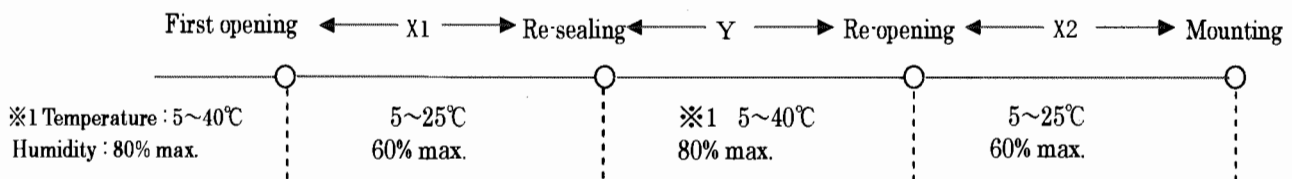
1-3.Temporary storage after opening.

To re-store the devices before soldering, do so only once and use a dry box or place desiccant (with a blue humidity indicator) with the devices and perform dry packing again using heat-sealing.

The storage period, temperature and humidity must be as follows :

(1) Storage temperature and humidity.

※1 : External atmosphere temperature and humidity of the dry packing.



(2) Storage period.

- X1 + X2 : Refer to Section 1-2(1),(2), and (3)a , depending on the mounting method.
- Y : Two weeks max.

## 2. Baking Condition.

### (1) Situations requiring baking before mounting.

- Storage conditions exceed the limits specified in Section 1-2 or 1-3.
- Humidity indicator in the desiccant was already red (pink) when opened.  
( Also for re-opening.)

### (2) Recommended baking conditions.

- Baking temperature and period : 120°C for 16~24 hours or 150°C for 5~10 hours.
- The above baking conditions do not apply since the magazines are not heat-resistant . Replace the devices on heat-resistant magazine .

### (3) Storage after baking.

- After baking, store the devices in the environment specified in Section 1-2 and mount immediately.

## 3. Surface mount conditions.

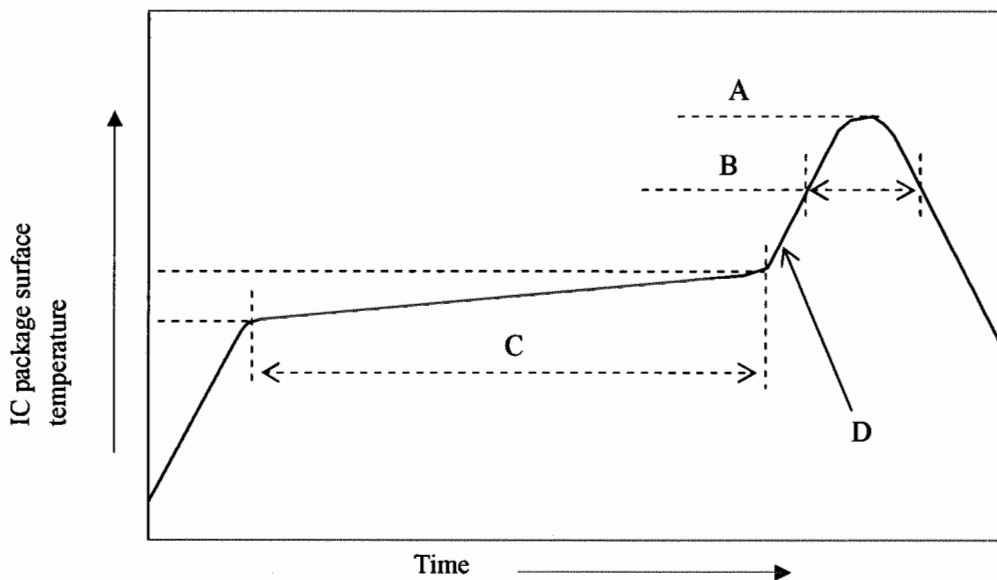
The following soldering condition are recommended to ensure device quality.

### 3-1.Soldering.

#### (1) Convection reflow or IR/Convection. (one-time soldering or two-time soldering in air or nitrogen environment)

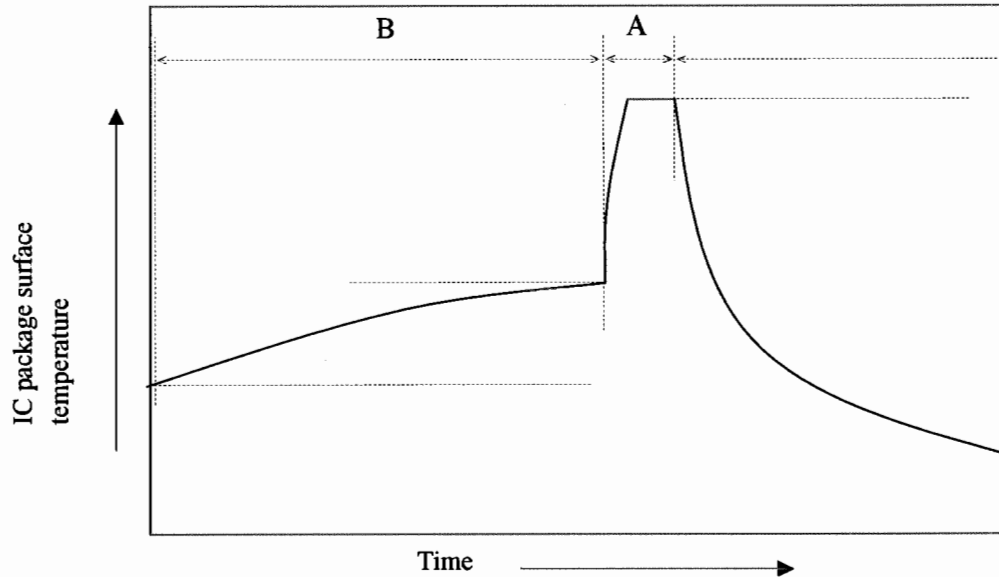
- Temperature and period :

A) Peak temperature.	250°C max.
B) Heating temperature.	40 to 60 seconds as 220°C
C) Preheat temperature.	It is 150 to 200°C, and is 120±30 seconds
D) Temperature increase rate.	It is 1 to 3°C/seconds
- Measuring point : IC package surface.
- Temperature profile :



## (2) Solder dipping. ( one-time dipping only )

- Temperature and period :
  - A) Peak temperature. 260°C max. for 10 seconds Max.
  - B) Preheat temperature of 120 to 150°C for 120±60 seconds
- Measuring point :
  - A) Solder bath.
  - B) IC package surface.
- Temperature profile:



## (3) Manual soldering ( soldering iron ) ( one-time soldering only )

Soldering iron should only touch the IC's outer leads.

- Temperature and period :
  - 350°C max. for 3 seconds / pin max.
  - (Soldering iron should only touch the IC's outer leads.)
- Measuring point : Soldering iron tip.

## 4. Condition for removal of residual flux.

- (1) Ultrasonic washing power : 25 watts / liter max.
- (2) Washing time : Total 1 minute max.
- (3) Solvent temperature : 15~40°C

5. Package outline specification.

Refer to the attached drawing.

(Plastic body dimensions do not include burr of resin.)

The contents of LEAD-FREE TYPE application of the specifications. (\*2)

6. Markings.

6-1. Marking details. (The information on the package should be given as follows.)

- (1) Product name : LH5164AHN-10LF
- (2) Company name : SHARP
- (3) Date code : (Example) YYWW XXX
  - YY → Denotes the production year. (Last two digits of the year.)
  - WW → Denotes the production week. (01 · 02 · ~ · 52 · 53)
  - XXX → Denotes the production ref. code (1~3 digits).
- (4) "JAPAN" indicates the country of origin.

6-2. Marking layout.

The layout is shown in the attached drawing.

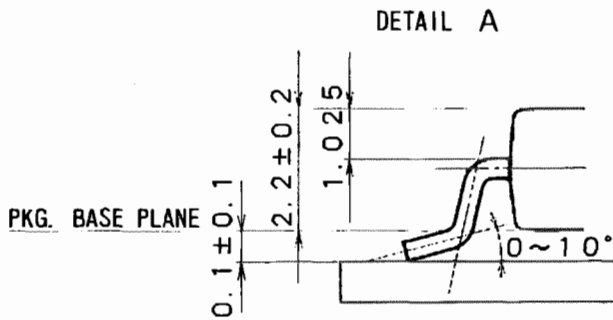
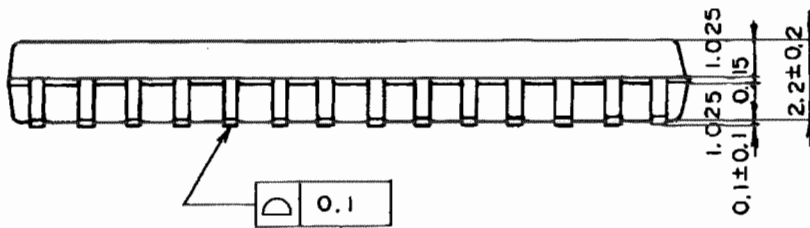
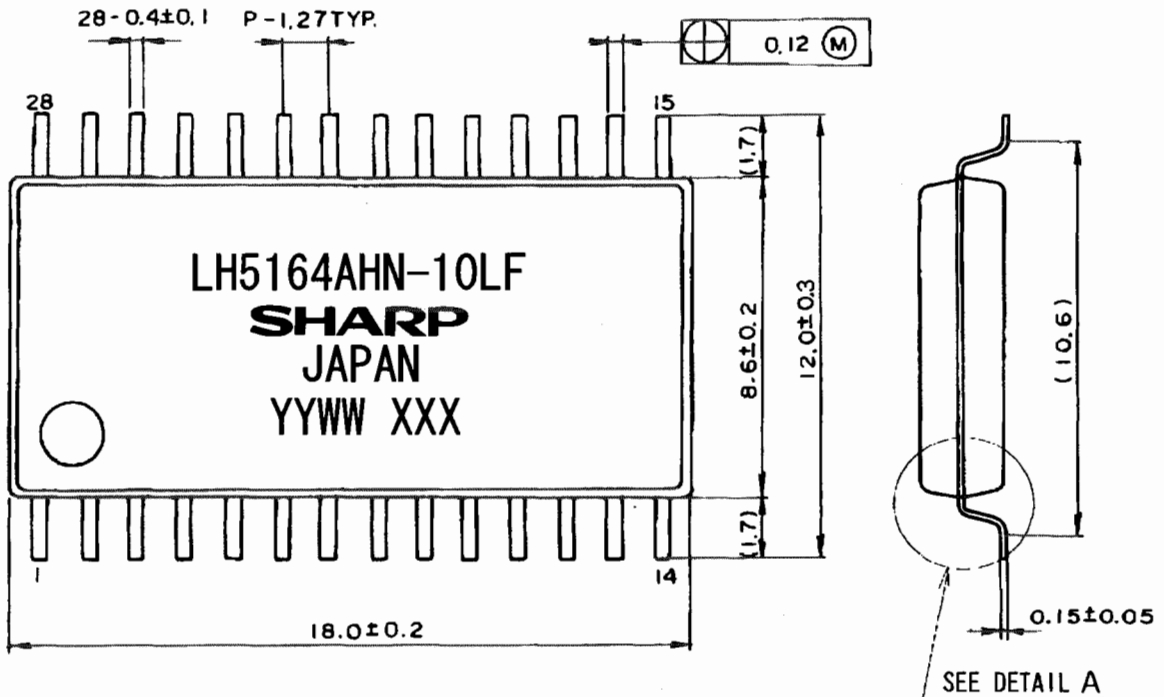
(However, this layout does not specify the size of the marking character and marking position.)

\*2 The contents of LEAD-FREE TYPE application of the specifications.

LEAD FINISH or BALL TYPE	LEAD-FREE TYPE (Sn-Bi)
DATE CODE	They are those with an underline.
The word of " LEAD FREE" is printed on the packing label	Printed



(Note) It is those with an underline printing in a date code because of a LEAD-FREE type.



SOP028-P-0450-AA931

LEAD TYPE	LEAD FINISH	LEAD MATERIAL
	Sn-Bi PLATING	42Alloy
NAME	SOP028-P-0450	
DRAWING NO.	AA931	UNIT mm
NOTE : Plastic body dimensions do not include burr of resin.		

## 7. Packing Specifications (Dry packing for surface mount packages.)

### 7-1. Packing materials.

Material name	Material specifications	Purpose
Inner carton	Gardboard (1000 devices / inner carton max.)	Packing the devices.
Magazine	Anti-static treated plastic (25 devices / magazine)	Securing the devices.
Stopper	Plastic or rubber	Securing the devices.
Cap	Plastic (2 caps / bag)	Securing the magazine.
Laminated aluminum bag	Aluminum polyethylene	Keeping the devices dry.
Desiccant	Silica gel	Keeping the devices dry.
Label	Paper	Indicates part number, quantity, and packed date.
Outer carton	Gardboard (4000 devices / outer carton max.)	Outer packing.

( Devices must be placed on the magazine in the same direction.)

### 7-2. Outline dimension of magazine.

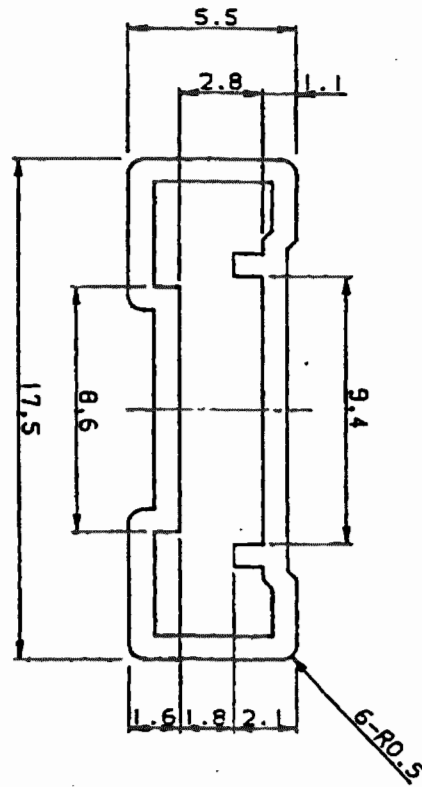
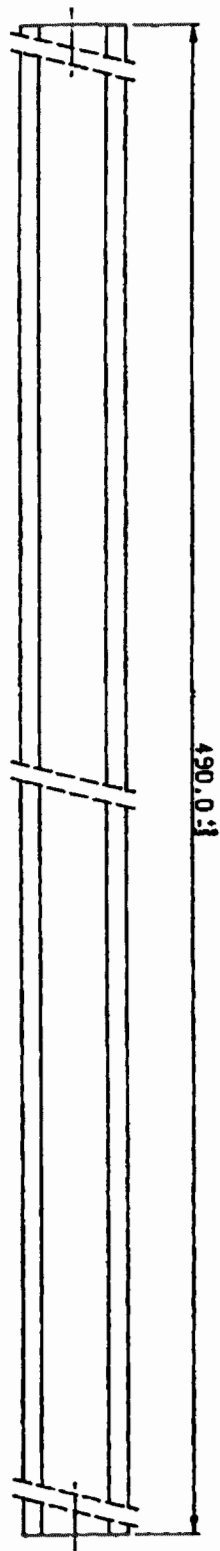
Refer to the attached drawing.

### 7-3. Outline dimension of carton.

Refer to the attached drawing.

## 8. Precautions for use.

- (1) Opening must be done on an anti-ESD treated workbench.  
All workers must also have undergone anti-ESD treatment.
- (2) The magazines have undergone either conductive or anti-ESD treatment.  
If another magazine is used, make sure it has also undergone conductive or anti-ESD treatment.
- (3) The devices should be mounted within one year of the date of delivery.

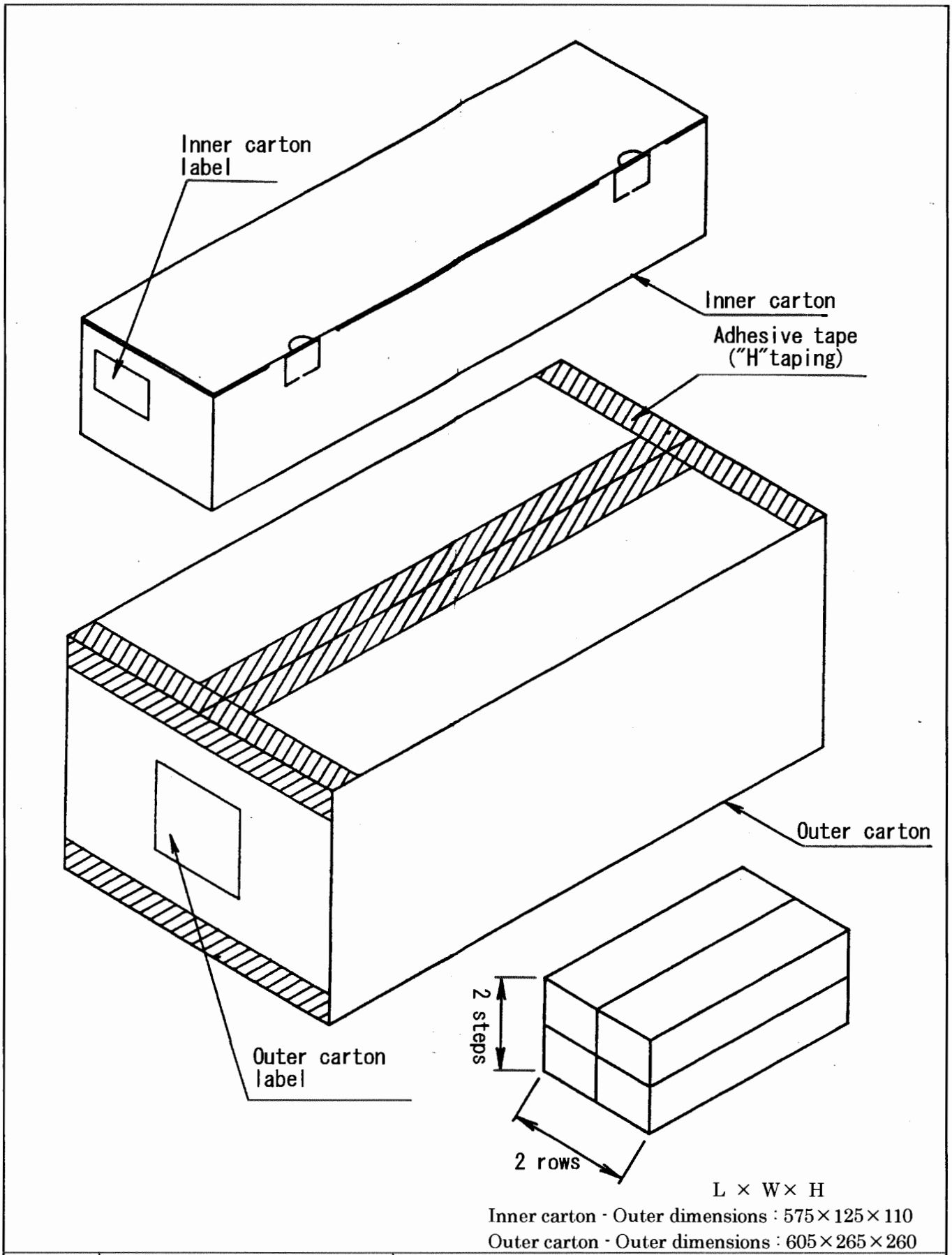


注記 : マガジン (スリーブ) 両側のストッパーは、ゴムストッパーとする。指示無き寸法公差は全て±0.4mmとする。

NOTES : Stopper which is set at the both ends of magazine(sleeve) is made of rubber.

All tolerances are ±0.4mm unless otherwise specified.

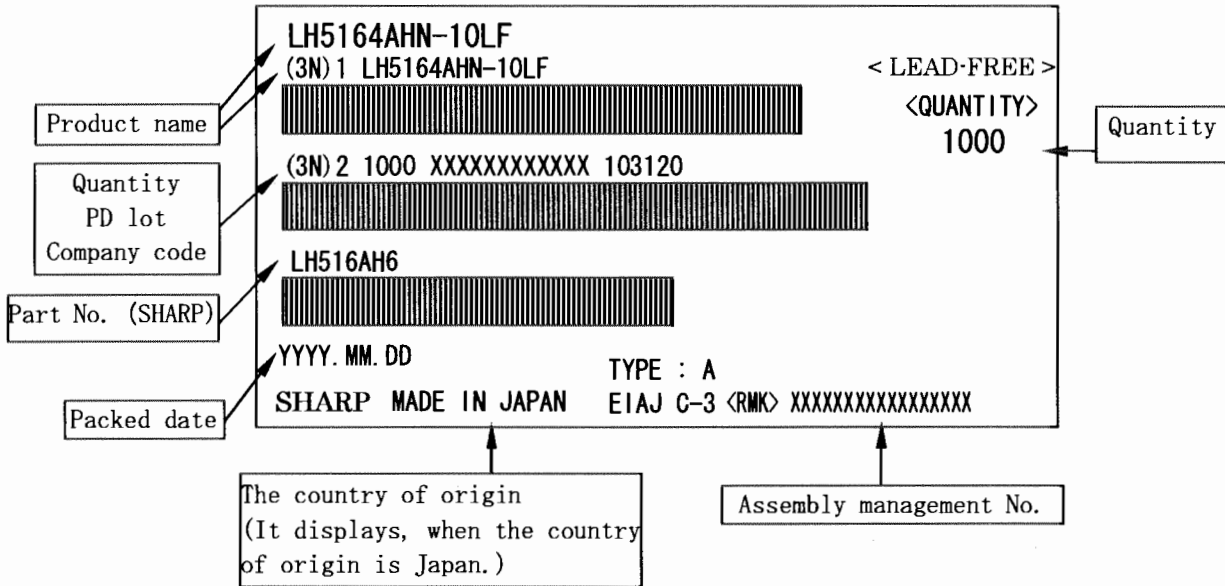
名称 Name	SOP28SPN-A2		備考 Note
Drawing no.	CV607	単位 Unit	mm



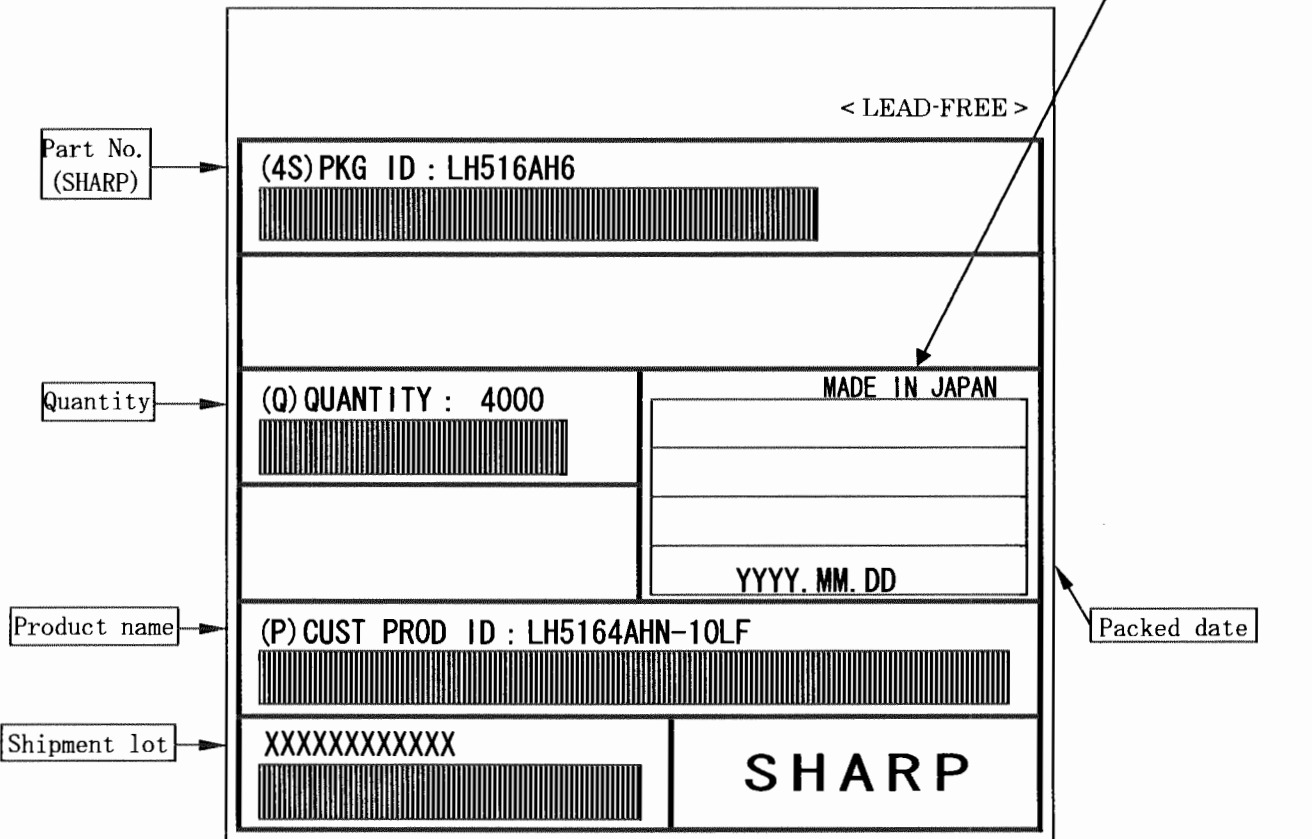
名称 NAME	Packing specifications			備考 NOTE	出荷数量が端数の場合、本仕様と異なることがあります。 There is a possibility different from this specification when the number of shipments is fractions.
DRAWING NO.	BJ535	単位 UNIT	mm		

(Note) The <LEAD-FREE> display shows a lead-free article.

## Inner carton label



## Outer carton label



(Former) EIAJ B Standard conforming

**SPECIFICATIONS ARE SUBJECT TO CHANGE WITHOUT NOTICE.**

Suggested applications (if any) are for standard use; See Important Restrictions for limitations on special applications. See Limited Warranty for SHARP's product warranty. The Limited Warranty is in lieu, and exclusive of, all other warranties, express or implied. ALL EXPRESS AND IMPLIED WARRANTIES, INCLUDING THE WARRANTIES OF MERCHANTABILITY, FITNESS FOR USE AND FITNESS FOR A PARTICULAR PURPOSE, ARE SPECIFICALLY EXCLUDED. In no event will SHARP be liable, or in any way responsible, for any incidental or consequential economic or property damage.

---

# SHARP®

## **NORTH AMERICA**

---

SHARP Microelectronics of the Americas  
5700 NW Pacific Rim Blvd.  
Camas, WA 98607, U.S.A.  
Phone: (1) 360-834-2500  
Fax: (1) 360-834-8903  
Fast Info: (1) 800-833-9437  
www.sharpsma.com

## **EUROPE**

---

SHARP Microelectronics Europe  
Division of Sharp Electronics (Europe) GmbH  
Sonninstrasse 3  
20097 Hamburg, Germany  
Phone: (49) 40-2376-2286  
Fax: (49) 40-2376-2232  
www.sharpsme.com

## **JAPAN**

---

SHARP Corporation  
Electronic Components & Devices  
22-22 Nagaike-cho, Abeno-Ku  
Osaka 545-8522, Japan  
Phone: (81) 6-6621-1221  
Fax: (81) 6117-725300/6117-725301  
www.sharp-world.com

## **TAIWAN**

---

SHARP Electronic Components  
(Taiwan) Corporation  
8F-A, No. 16, Sec. 4, Nanking E. Rd.  
Taipei, Taiwan, Republic of China  
Phone: (886) 2-2577-7341  
Fax: (886) 2-2577-7326/2-2577-7328

## **SINGAPORE**

---

SHARP Electronics (Singapore) PTE., Ltd.  
438A, Alexandra Road, #05-01/02  
Alexandra Technopark,  
Singapore 119967  
Phone: (65) 271-3566  
Fax: (65) 271-3855

## **KOREA**

---

SHARP Electronic Components  
(Korea) Corporation  
RM 501 Geosung B/D, 541  
Dohwa-dong, Mapo-ku  
Seoul 121-701, Korea  
Phone: (82) 2-711-5813 ~ 8  
Fax: (82) 2-711-5819

## **CHINA**

---

SHARP Microelectronics of China  
(Shanghai) Co., Ltd.  
28 Xin Jin Qiao Road King Tower 16F  
Pudong Shanghai, 201206 P.R. China  
Phone: (86) 21-5854-7710/21-5834-6056  
Fax: (86) 21-5854-4340/21-5834-6057

### **Head Office:**

No. 360, Bashen Road,  
Xin Development Bldg. 22  
Waigaoqiao Free Trade Zone Shanghai  
200131 P.R. China  
Email: smc@china.global.sharp.co.jp

## **HONG KONG**

---

SHARP-ROXY (Hong Kong) Ltd.  
3rd Business Division,  
17/F, Admiralty Centre, Tower 1  
18 Harcourt Road, Hong Kong  
Phone: (852) 28229311  
Fax: (852) 28660779  
www.sharp.com.hk

### **Shenzhen Representative Office:**

Room 13B1, Tower C,  
Electronics Science & Technology Building  
Shen Nan Zhong Road  
Shenzhen, P.R. China  
Phone: (86) 755-3273731  
Fax: (86) 755-3273735