

**NOTES:**

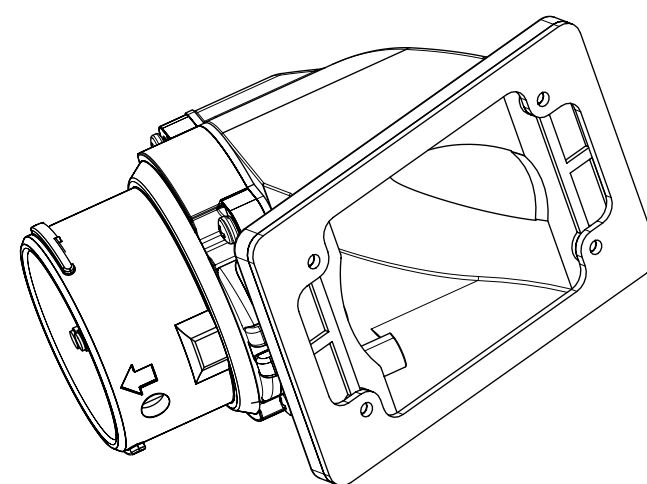
**MATERIALS:**

ANGLE, HOUSINGS AND INSULATORS: GLASS FILLED PBT  
 CONTACTS: COPPER ALLOY WITH A SILVER NICKEL TIP, SILVER PLATED  
 MOUNTING AND INTERFACE GASKETS: SILICONE  
 SELF TAPPING SCREWS (PHILLIPS) - STAINLESS STEEL, #6-32 THD  
 ANGLE MOUNTING SCREWS (SLOTTED) - STAINLESS STEEL  
 ANGLE GASKET - EPDM

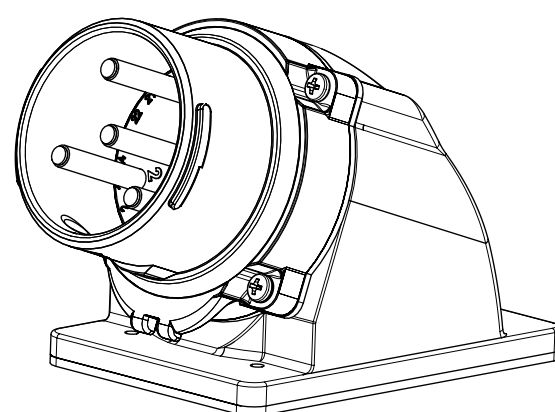
**RATINGS:**

CURRENT: 60 AMPS  
 VOLTAGE AND HORSEPOWER: SEE TABLE  
 AMBIENT OPERATING TEMPERATURE: -25°C (-13°F) TO 60°C (140°F)  
 (WITH MAX. 30°C RISE ABOVE AMBIENT)  
 ENVIRONMENTAL: NEMA TYPE 4X & IP69K  
 WIRING CAPACITY: 10 AWG MIN. TO 4 AWG MAX.  
 TORQUE TERMINAL SCREWS TO 1.7 Nm (15 in-lbs)  
 AGENCY: UL LISTING PENDING  
 SWITCH RATED RECEPTACLE/CONNECTOR  
 BRANCH CIRCUIT DISCONNECT SWITCH  
 MOTOR CIRCUIT DISCONNECT SWITCH IF HP RATED

PLUG/INLET AND ANGLE MOUNT ARE PACKAGED SEPARATELY.  
 END USER ASSEMBLY REQUIRED PER INSTRUCTIONS INCLUDED.



ISO VIEWS  
 SCALE 1:2



MATERIAL NUMBER	ENGINEERING NUMBER	DESCRIPTION	INSULATOR KEYING POSITION	HORSEPOWER RATING
1122171043	ARC60MAA01	ARC 60A MA 125VAC 1P+N+G	7	2 HP
1122171044	ARC60MAB02	ARC 60A MA 250VAC 2P+G		3 HP
1122171045	ARC60MAB03	ARC 60A MA 250VAC 3P+G		7.5 HP
1122171046	ARC60MAAB04	ARC 60A MA 125/250VAC 2P+N+G		NA
1122171047	ARC60MAC02	ARC 60A MA 208VAC 2P+G	16	NA
1122171048	ARC60MAC03	ARC 60A MA 208VAC 3P+G		7.5 HP
1122171049	ARC60MAAC05	ARC 60A MA 120/208VAC 3P+N+G		NA
1122171050	ARC60MAD01	ARC 60A MA 277VAC 1P+N+G	4	NA
1122171051	ARC60MAE02	ARC 60A MA 480VAC 2P+G		NA
1122171052	ARC60MAE03	ARC 60A MA 480VAC 3P+G		20 HP
1122171053	ARC60MADE05	ARC 60A MA 277/480VAC 3P+N+G		NA
1122171054	ARC60MAF02	ARC 60A MA 600VAC 2P+G	14	NA
1122171055	ARC60MAF03	ARC 60A MA 600VAC 3P+G		20 HP
1122171056	ARC60MAGF05	ARC 60A MA 347/600VAC 3P+N+G		NA

THIS DRAWING CONTAINS INFORMATION THAT IS PROPRIETARY TO MOLEX ELECTRONIC TECHNOLOGIES, LLC AND SHOULD NOT BE USED WITHOUT WRITTEN PERMISSION

DIMENSION UNITS: MM/INCH SCALE: 1:1 CURRENT REV DESC: GENERAL MARKET RELEASE

GENERAL TOLERANCES (UNLESS SPECIFIED):

	MM	INCH
4 PLACES	±	±
3 PLACES	± 0.25	± 0.01
2 PLACES	± 0.5	± 0.02
1 PLACE	± 1.0	± 0.04
0 PLACES	± 3.0	± 0.12

ANGULAR TOL ± 3.0°

DRAFT WHERE APPLICABLE MUST REMAIN WITHIN DIMENSIONS

EC NO: 674097  
 DRWN: MJANTELEZIO 2021/08/17  
 CHK'D: WLEUNG 2021/08/17  
 APPR: WLEUNG 2021/08/17

INITIAL REVISION:  
 DRWN: VBASUTHKARP 2018/08/20  
 APPR: JFMURPHY 2020/11/17

THIRD ANGLE PROJECTION

DRAWING: C-SIZE SERIES: 112217

60A ARCARREST PLUG KIT W/ 70DEG ANG

PRODUCT CUSTOMER DRAWING

DOCUMENT NUMBER: 1122171052 DOC TYPE: PSD DOC PART: 000 REVISION: A2

MATERIAL NUMBER: SEE TABLE CUSTOMER: GENERAL MARKET SHEET NUMBER: 1 OF 1