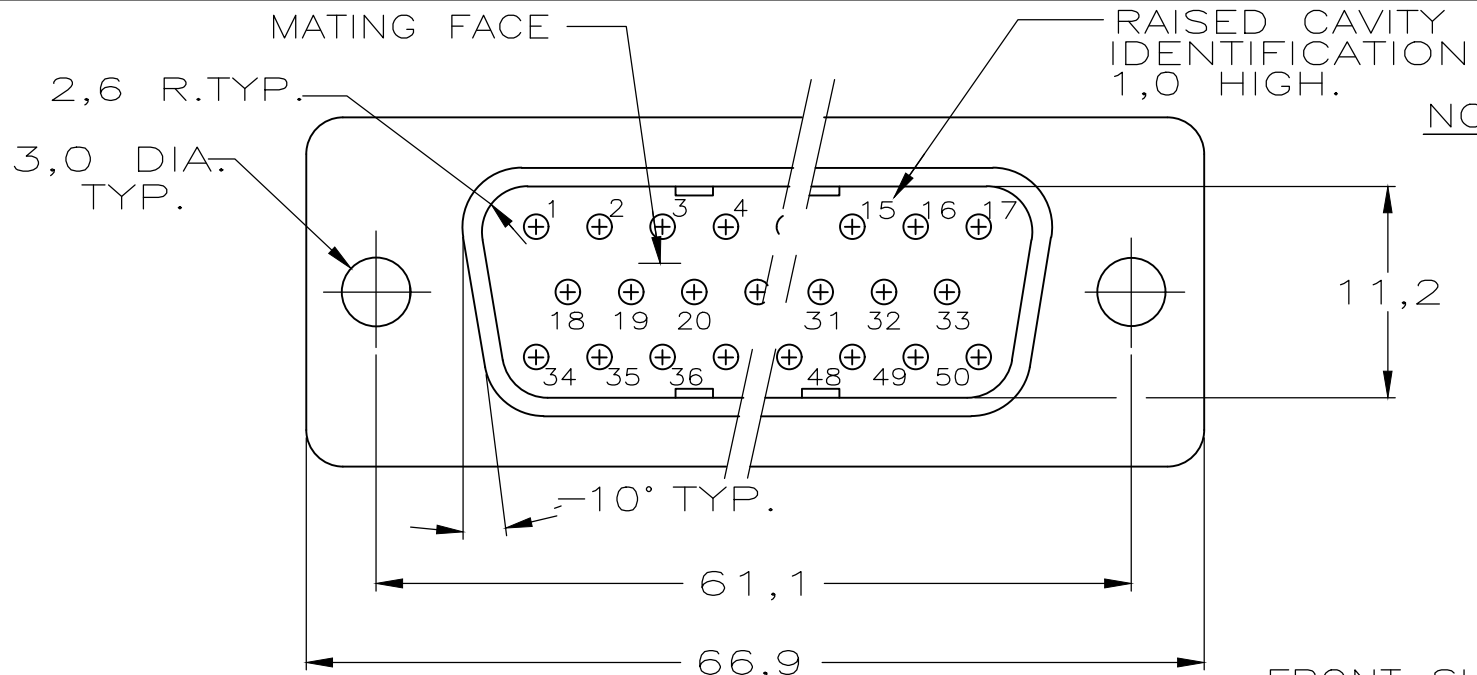


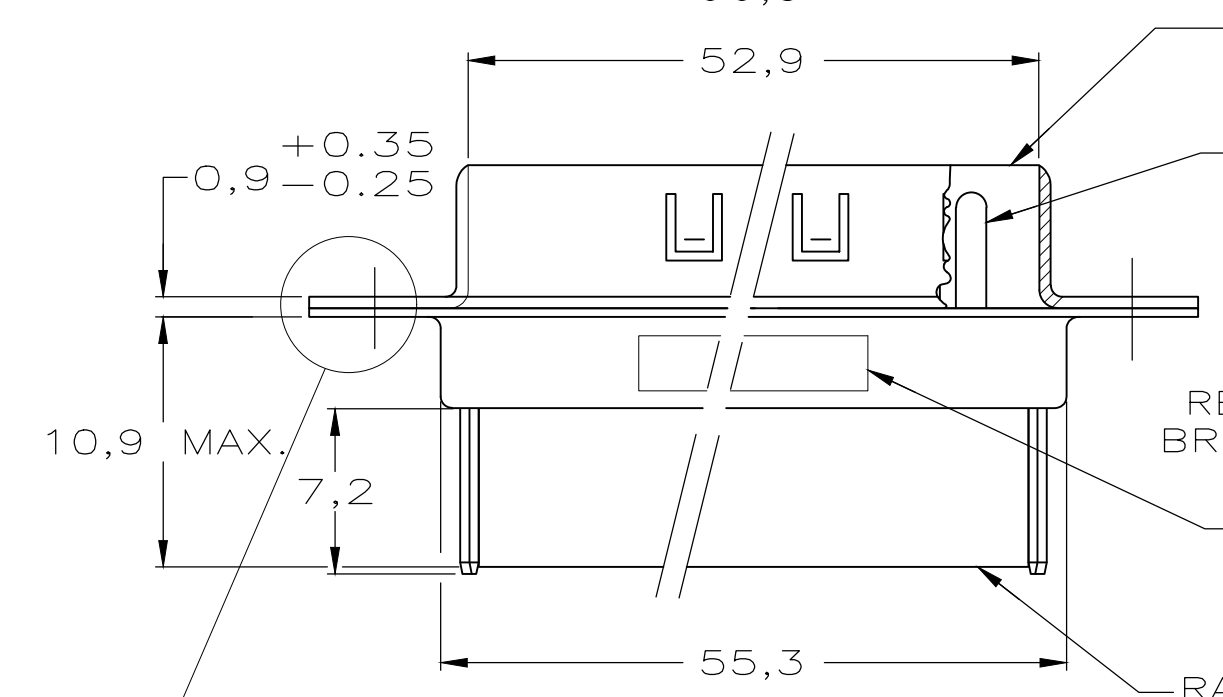
THIS DRAWING IS UNPUBLISHED. RELEASED FOR PUBLICATION
 © COPYRIGHT - TE Connectivity Ltd. ALL RIGHTS RESERVED.

REVISIONS					
P	LTR	DESCRIPTION	DATE	DWN	APVD
	C	REVISED PER ECO-18-001571	08FEB2018	AP	DG



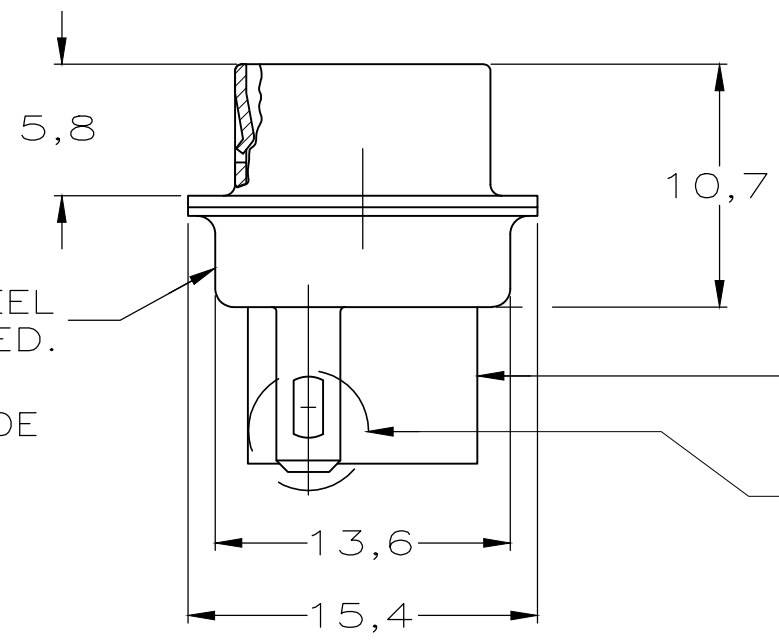
- NOTES:**
- THIS PLUG ACCEPTS SIZE 20 PIN CONTACTS
 - MAXIMUM WIRE INSULATION RECOMMENDED FOR USE WITH THIS PLUG IS 1,73 DIA. MAX..
 - RETENTION TINES ARE AN INTEGRAL PART OF INSERT.
 - CONTACTS SHOWN FOR ILLUSTRATION ONLY, NO PART OF CONNECTOR PACKAGE, MUST BE ORDERED SEPARATELY.
 - FOLLOWING INSERTION/REMOVAL TOOLS ARE RECOMMENDED FOR USE WITH THESE CONNECTORS:

32-28AWG/28-24AWG CONT's	24-20AWG CONTACTS
91067-3 INSERTION/REMOVAL	91067-2 INSERTION/REMOVAL
726363-1 INSERTION ONLY	726363-1 INSERTION ONLY
	726364-1 REMOVAL ONLY

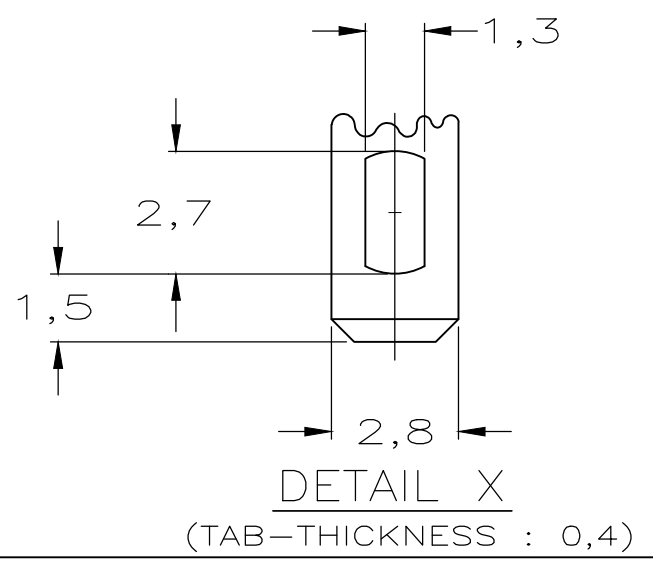
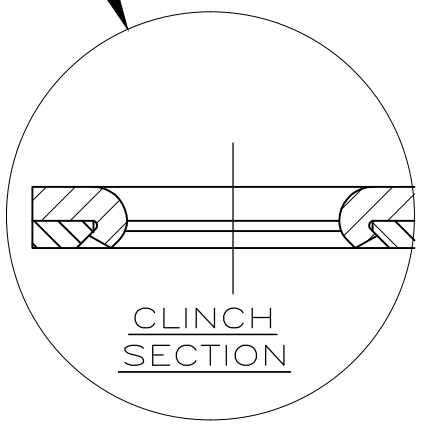


FRONT SHELL STEEL, BRIGHT TINPLATED WITH 2x5 GROUNDING FINGERS AT 7,6 PITCH.

REAR SHELL, STEEL BRIGHT TINPLATED.
 AMP DATE CODE
 AMP PARTNO.
 INK STAMPED



INSERTS: NYLON GLASS-FILLED SELF-EXTINGUISHING COLOR: BLACK
 SEE DETAIL X



SEE DRAWING	SEE DRAWING	188289-1
FINISH	MATERIAL	PARTNUMBER

THIS DRAWING IS A CONTROLLED DOCUMENT.		DWN L.V.D.HEIJDEN 30.06.87	TE Connectivity Ltd.		
DIMENSIONS: mm		CHK C.V.TILBURG 07-07-87			
TOLERANCES UNLESS OTHERWISE SPECIFIED:		APVD L.V.SOEST 28-07-87	NAME		
0 PLC ± -		PRODUCT SPEC	HDP-20 PLUG CONNECTOR, SIZE 5, (50 POSITION) WITH SOLDER TABS		
1 PLC ± -		APPLICATION SPEC	SIZE	CAGE CODE	DRAWING NO
2 PLC ± -			A3	00779	C-215714
3 PLC ± -			RESTRICTED TO		
4 PLC ± -			-		
ANGLES ± -					
FINISH		WEIGHT 0.000000			
MATERIAL -		CUSTOMER DRAWING			
		SCALE -	SHEET 1 OF 1	REV C	