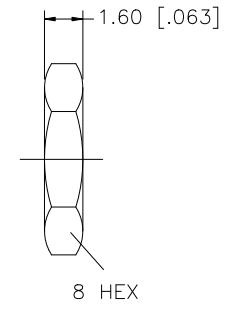
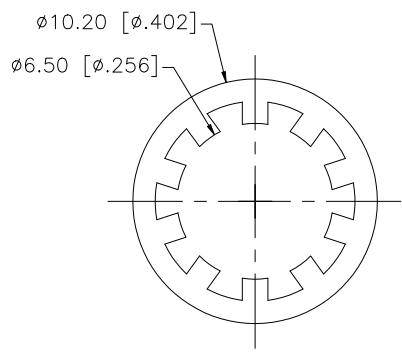
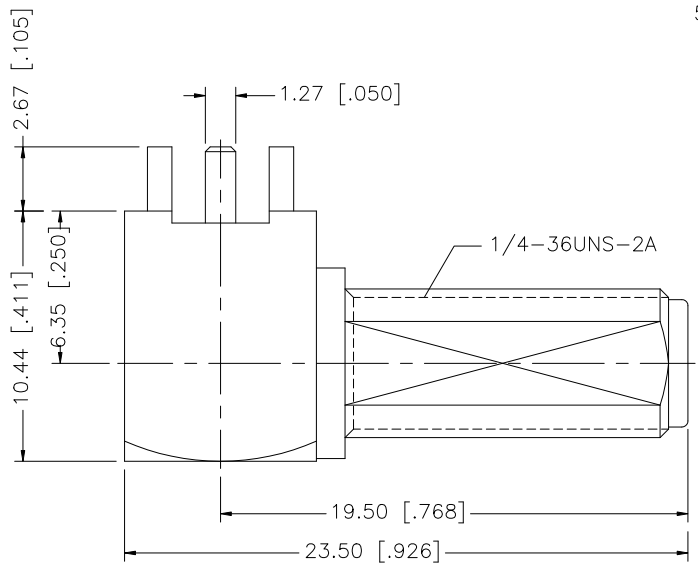
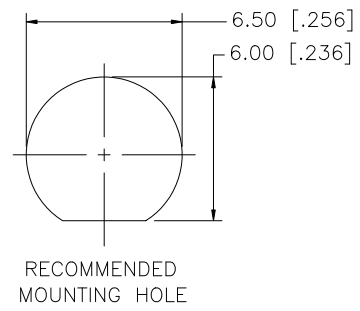
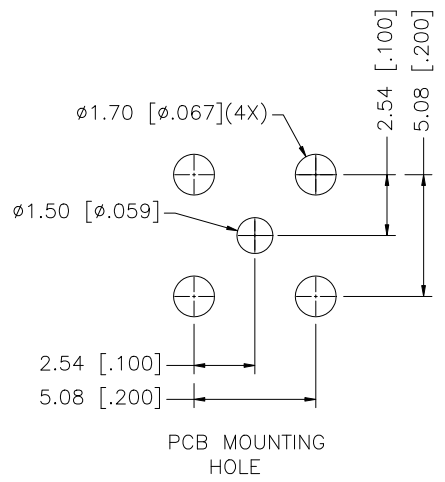
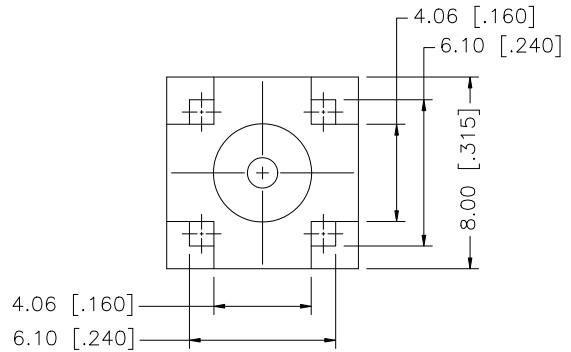


REV.	DATE	DESCRIPTION
NC	11/09/06	INITIAL RELEASE
A	07/31/07	REVISE PART ORIENTATION



QTY	DESCRIPTION	MATERIAL	FINISH	QTY
8				
7	HEX NUT	BRASS	GOLD	1
6	LOCK WASHER	BRASS	GOLD	1
5	CONTACT PIN	BRASS	GOLD	1
4	INSULATOR	TEFLON	NATURAL	1
3	CONTACT PIN	BER. COPPER	GOLD	1
2	INSULATOR	TEFLON	NATURAL	1
1	HOUSING/BODY	BRASS	GOLD	1

UNLESS OTHERWISE SPECIFIED DIMENSIONS ARE IN MILLIMETERS. DIMENSIONS IN [ ] ARE IN INCHES AND FOR CUSTOMER REFERENCE ONLY.

UNLESS OTHERWISE SPECIFIED TOLERANCES FOR MILLIMETERS ARE:  
0.5 - 8mm ± 0.20mm  
8 - 30mm ± 0.40mm  
30 - 120mm ± 0.50mm

UNLESS OTHERWISE SPECIFIED TOLERANCES FOR INCHES ARE:  
.020 - .315 = ± 0.007"  
.315 - 1.180 = ± 0.015"  
1.180 - 4.724 = ± 0.020"

DO NOT SCALE DRAWING

APPROVALS	DATE
DRAWN G.R.S.	07/31/07
CHECKED	
ISSUED	
SHEET 1 OF 1	
CAD FILE C:/132/132203-14.DWG	

**Amphenol Connex**

PART DESCRIPTION  
**SMA R/A BULKHEAD P.C. MOUNT JACK  
SHORT P.C.B. LEGS**

PART NO. **132203-14**

DWG. NO. 132203-14.DWG      REV. A      SIZE A      SCALE NA