



life.augmented

Automotive Audio Power Amplifiers



Contents

- 4 Introduction**
- 5 Battery operated digital platforms
- 6 Step-up platforms
- 7 Battery operated analog platforms
- 8 AVAS platforms
- 9 Telematic & Ecall platforms

- 10 Automotive audio power amplifiers**
- 10 Class D
- 12 Class AB - Bipolar single/dual
- 12 Class AB - Bipolar quad
- 12 Class AB - 24 V compliant
- 13 Class AB - Intelligent power
- 14 Class AB - MOSFET Quad

- 15 Packages**

Introduction



ST is the recognized leader in automotive power amplifiers.

Our car audio amplifiers provide the traditional clean and powerful sound that users have come to expect, as well as all the protection and safety features needed to make our devices robust in an automotive environment.

ST has a complete family of green-power products specifically designed to be compliant with advanced technologies for cleaner cars, such as engine start/stop.

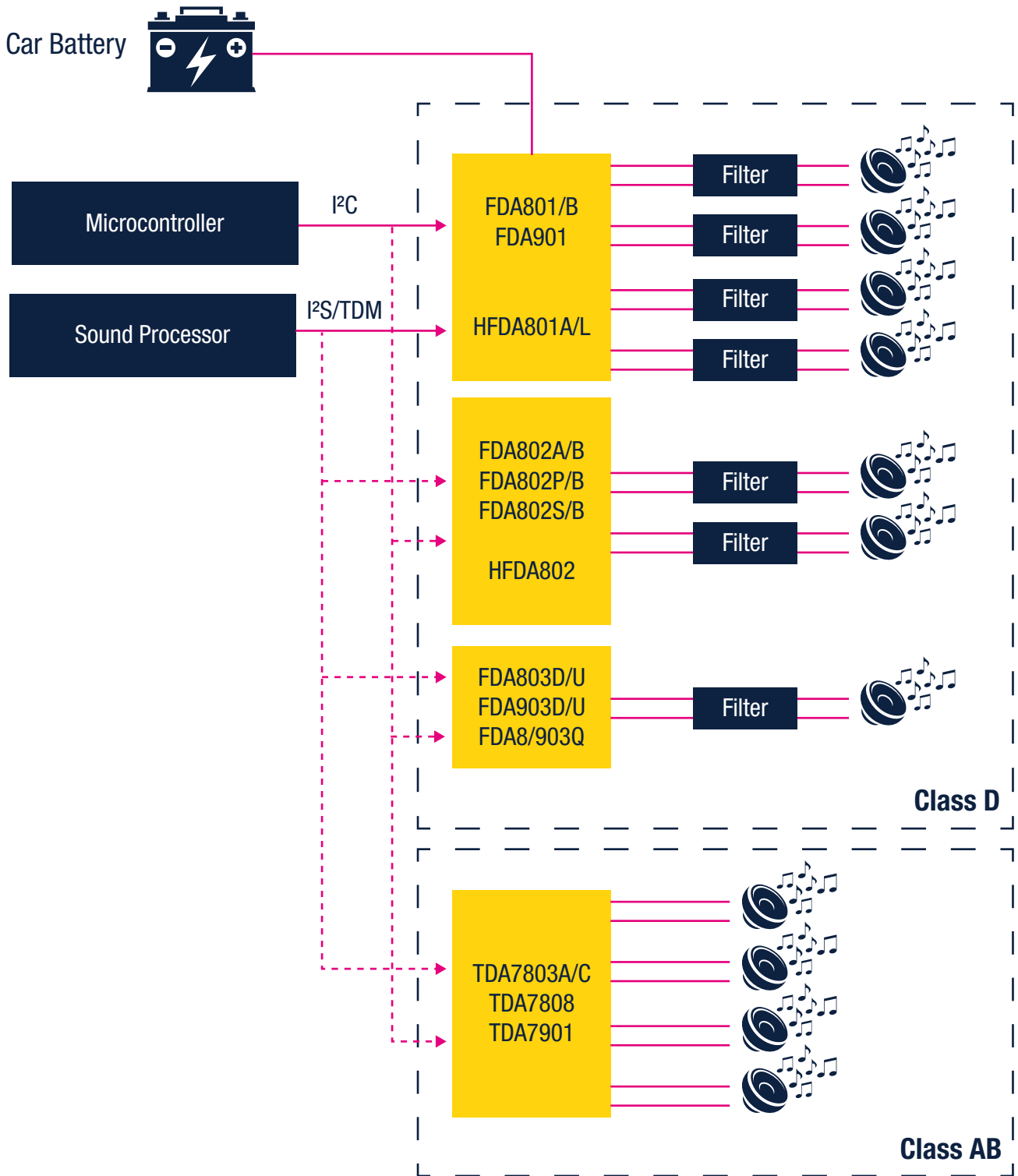
ST's product portfolio includes class AB, SB (high efficiency), SB-I (improved high efficiency) , Class G (with buck controller embedded) and class D devices, with or without an I²C interface, and with analog or digital inputs.

ST audio amplifiers implements a wide range of diagnostic feature set specifically designed for the automotive needs, ranging from the simplest pin and I²C diagnostic to the most sophisticated load value measurements and load current monitor, available also in play.

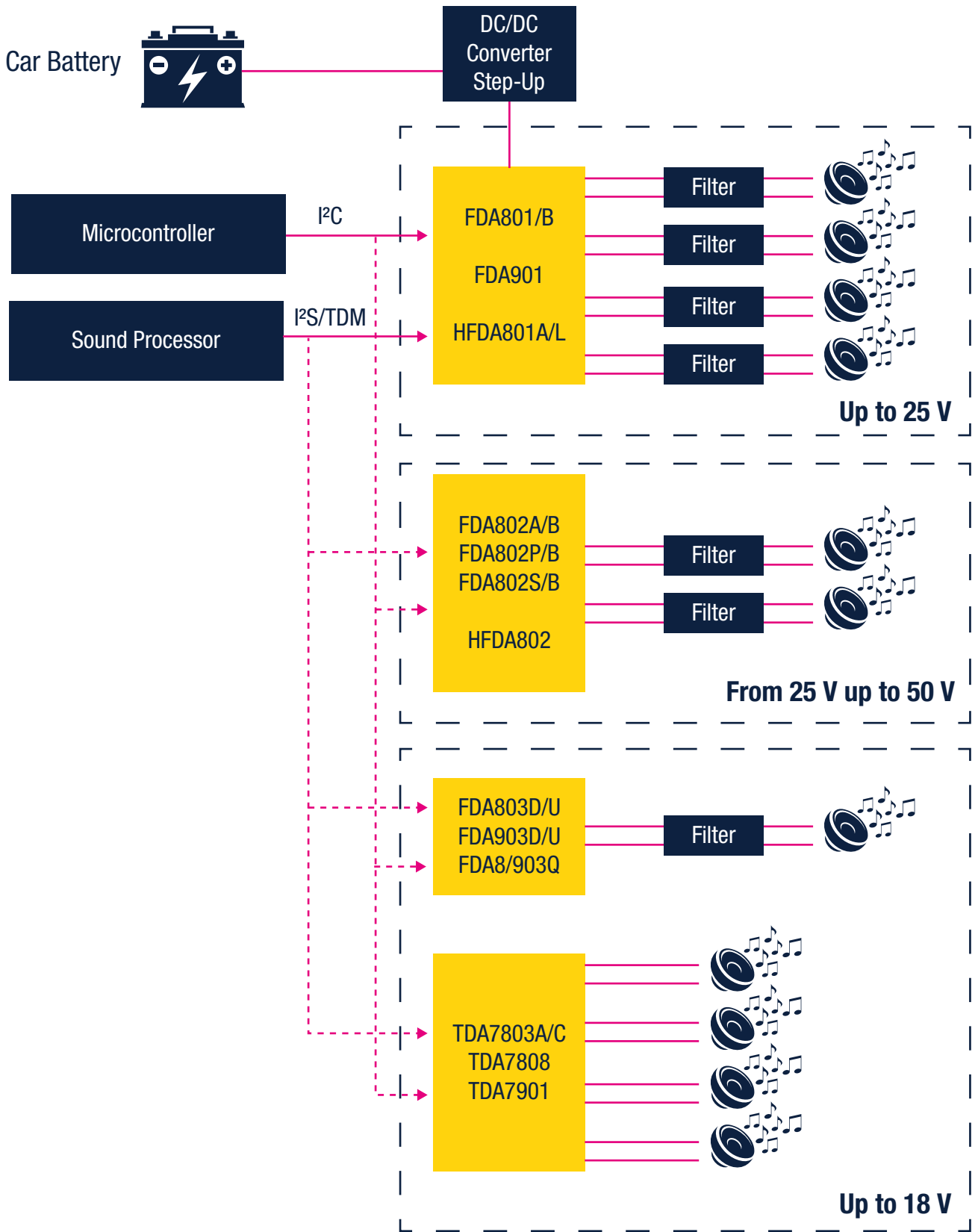
We offer a range of packages and pin-to-pin compatible ICs, covering different power requirements and supporting one to four channels.

The wider portfolio allows to design audio for several automotive applications including Head Units and e-cockpit, external sound systems, AVAS, clusters and emergency call. Some example of applications are displayed below.

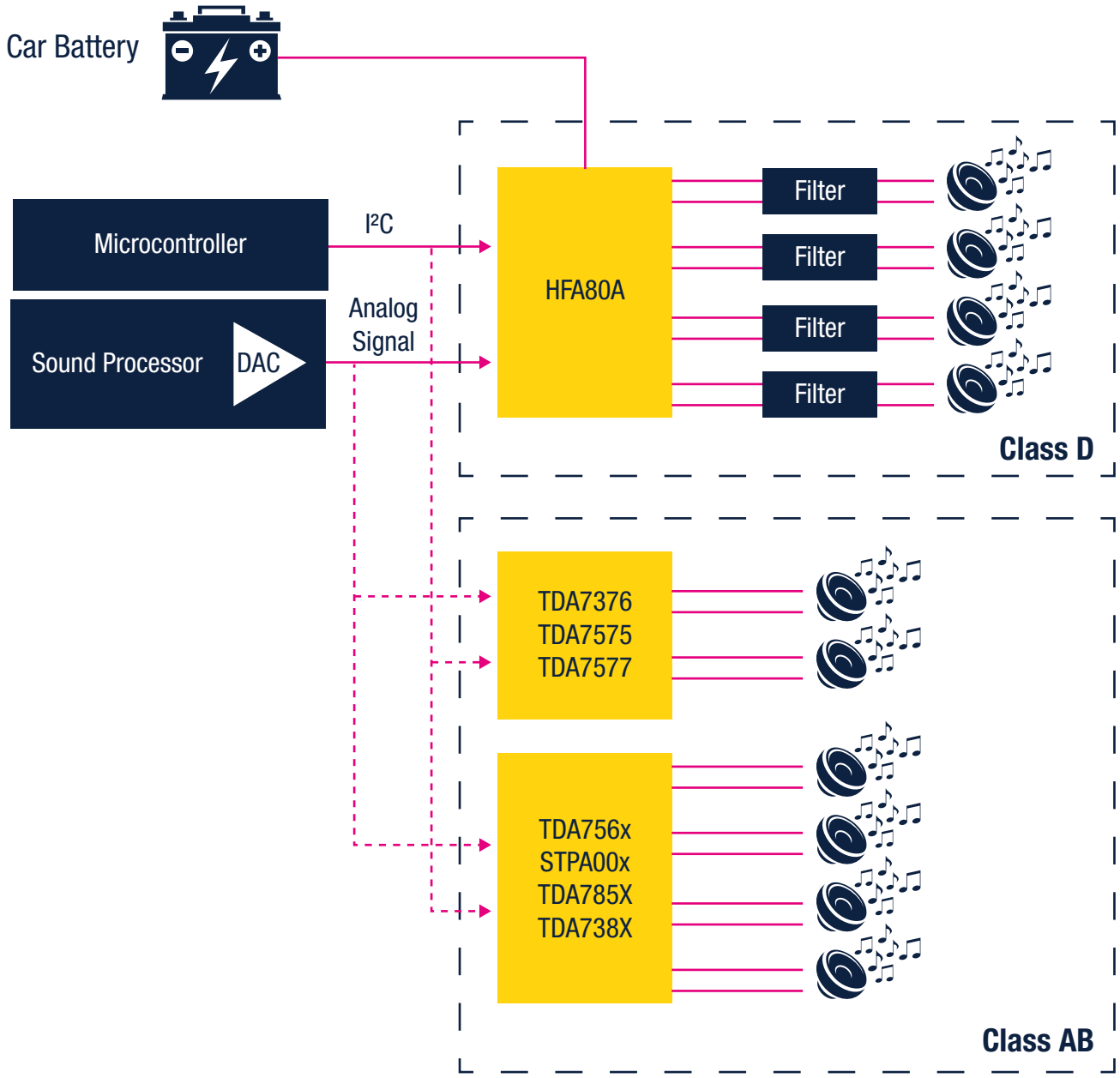
BATTERY OPERATED DIGITAL PLATFORMS



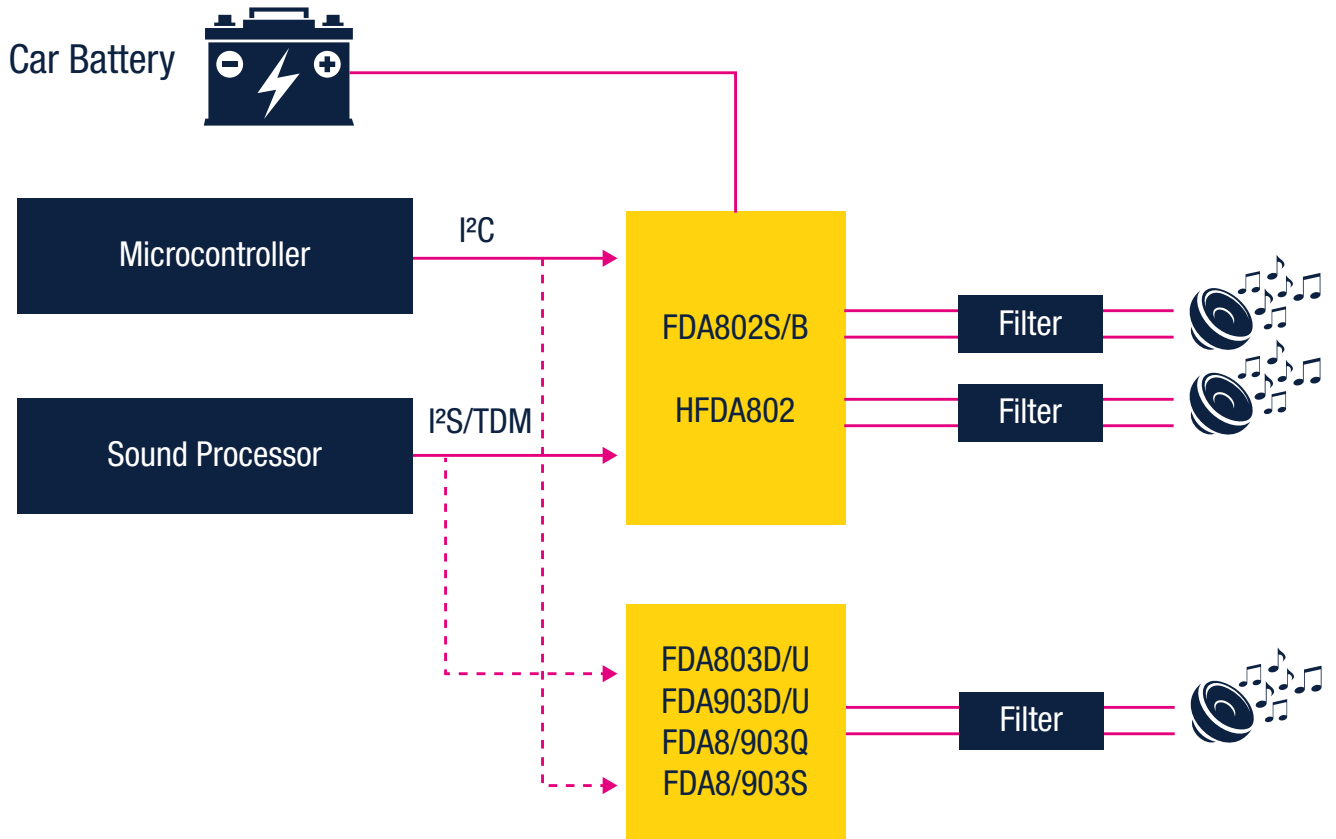
STEP-UP PLATFORMS



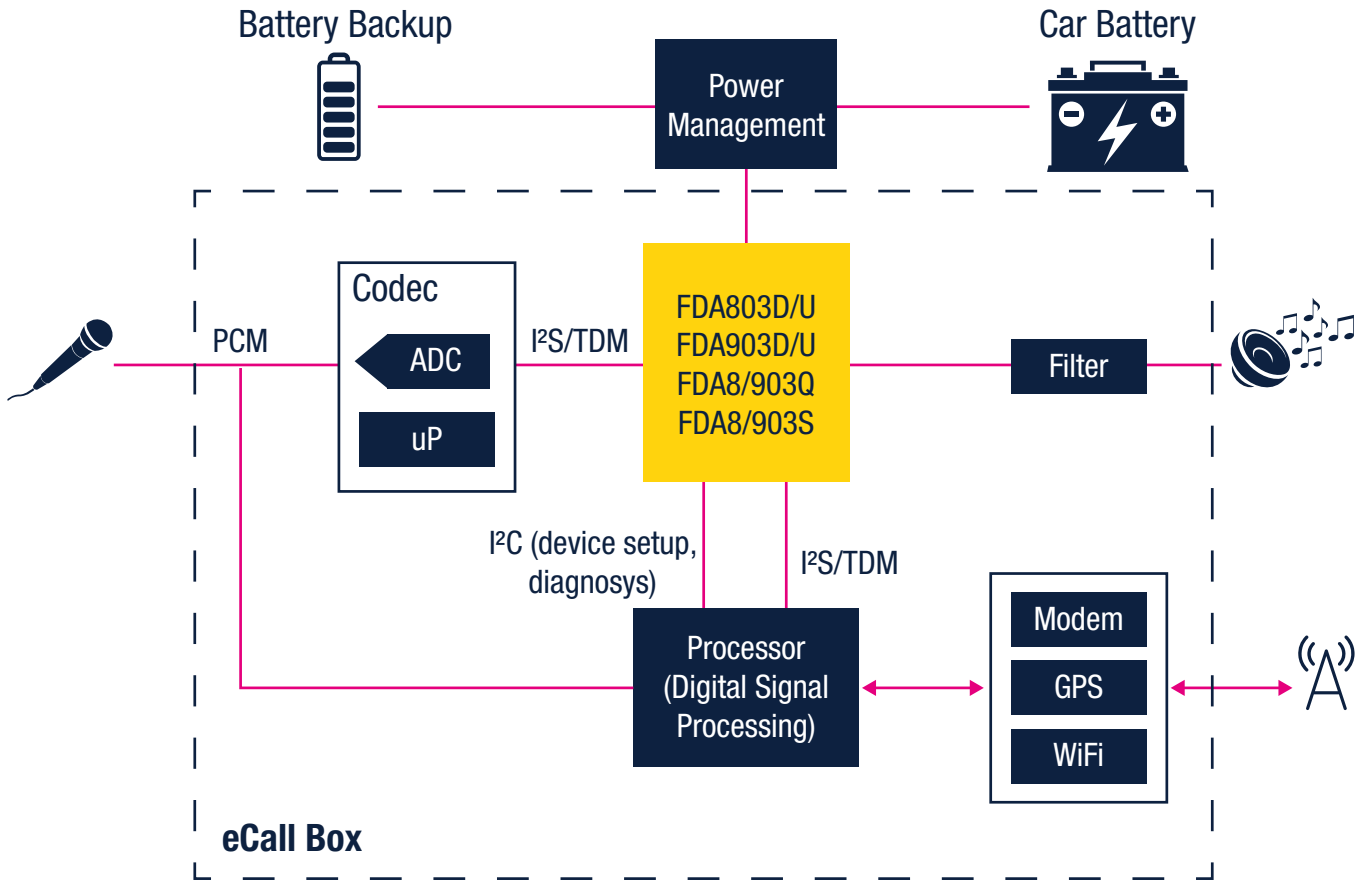
BATTERY OPERATED ANALOG PLATFORMS



AVAS PLATFORMS



TELEMATIC & ECALL PLATFORMS



Automotive audio power amplifiers

CLASS D

Pin comp.	Part number	Package	General description	Max power capability (15.2 V, 4 Ω)	Power at 10% THD (14.4 V, 4 Ω)	Amplifier class	Gain (dB)	Diagnostics	Load (min ohm)	Supply voltage	
										min V	max V
A	FDA801	LQFP64	4 x 50 W class-D digital input power amplifier with I2C diagnostics and low voltage operation	-	4x30W	D	-	I ² C bus	1	5.5	25
A	FDA801B	LQFP64	4 x 50 W class-D digital input automotive power amplifier with load value recognition	-	4x30W	D	-	I ² C bus	1	5.5	25
A	FDA901	LQFP64	4 x 50 W class-D digital input automotive power amplifier with load value recognition and load current monitoring	-	4x30W	D	-	I ² C bus	1	5.5	25
A	FDA802/ FDA802A	LQFP64	2x150 W class D digital input automotive power amplifier with diagnostics features and low voltage	-	2x28W	D	-	I ² C bus	1	5.5	50
A	FDA802B/ FDA802AB	LQFP64	2x150 W class D digital input automotive power amplifier with diagnostics features, load value recognition and low voltage	-	2x28W	D	-	I ² C bus	1	5.5	50
A	FDA802S	LQFP64	2 channels class-D digital input automotive power amplifier with I2C diagnostics and low voltage operation for car radio applications	-	2x28W	D	-	I ² C bus	1	5.5	25
A	FDA802SB	LQFP64	2 channels class-D digital input automotive power amplifier with I2C diagnostics, load value recognition and low voltage operation for car radio applications	-	2x28W	D	-	I ² C bus	1	5.5	25
A	FDA802P	LQFP64	2 channels class-D digital input automotive power amplifier with I2C diagnostics and low voltage operation for car radio applications	-	2x28W	D	-	I ² C bus	1	5.5	37
A	FDA802PB	LQFP64	2 channels class-D digital input automotive power amplifier with I2C diagnostics, load value recognition and low voltage operation for car radio applications	-	2x28W	D	-	I ² C bus	1	5.5	37
B	FDA803D	PowerSS0-36 (slug down)	1 x 45 W class D digital input automotive power amplifier with diagnostics, wide voltage operation range for car audio and telematic	-	1x30W	D	-	I ² C bus	2	3.3	18
B	FDA903D	PowerSS0-36 (slug down)	1 x 45 W class D digital input automotive power amplifier with ILoad current monitoring, wide voltage operation range for car audio and telematic	-	1x30W	D	-	I ² C bus	2	3.3	18
C	FDA803U	PowerSS0-36 (slug up)	1 x 45 W class D digital input automotive power amplifier with diagnostics, wide voltage operation range for car audio and telematic	-	1x30W	D	-	I ² C bus	2	3.3	18
C	FDA903U	PowerSS0-36 (slug up)	1 x 45 W class D digital input automotive power amplifier with ILoad current monitoring, wide voltage operation range for car audio and telematic	-	1x30W	D	-	I ² C bus	2	3.3	18
D	FDA803Q	VFQFPN48	1 channel class D digital input automotive power amplifier with diagnostics, wide voltage operation range for car audio and telematic	-	1x31W	D	-	I ² C bus	2	3.3	18
D	FDA903Q	VFQFPN48	1 Chclass D digital input automotive power amplifier with diagnostics, load current monitoring wide voltage operation range for car audio and telematic	-	1x31W	D	-	I ² C bus	2	3.3	18

CLASS D

Pin comp.	Part number	Package	General description	Max power capability (15.2 V, 4 Ω)	Power at 10% THD (14.4 V, 4 Ω)	Amplifier class	Gain (dB)	Diagnostics	Load (min ohm)	Supply voltage	
										min V	max V
E	HFDA801A	LQFP64	4 x 80 W digital input class-D automotive audio amplifier with Hi-Fi audio quality, advanced diagnostics, 2MHz switching frequency and High Resolution Bandwidth	-	4x30W	D	-	I ² C bus	1	4.5	25
E	HFDA801L	LQFP64	4 channels digital input class-D automotive audio amplifier with Hi-Fi audio quality, advanced diagnostics, 2 MHz switching frequency and High Resolution Bandwidth	-	4x30W	D	-	I ² C bus	1	4.5	18
E	HFDA802	LQFP64	2x80W digital input class-D automotive audio amplifier with Hi-Fi audio quality, advanced diagnostics, 2MHz switching frequency and High Resolution Bandwidth	-	2x30W	D	-	I ² C bus	1	4.5	25
F	HFA80A (*)	LQFP48	4 channels analog input class-D automotive audio amplifier with Hi-Fi audio quality, advanced diagnostics, 2MHz switching frequency and High Resolution Bandwidth	-	4x27W	D	-	I ² C bus	1	4.5	18
F	HFA80D (*)	LQFP48	4 channels digital input class-D automotive audio amplifier with Hi-Fi audio quality, advanced diagnostics, 2MHz switching frequency and High-Resolution Bandwidth	-	4x27W	D	-	I ² C bus	1	4.5	18
G	FDA803S	QFN32	1 channel class D digital input automotive power amplifier with diagnostics, wide voltage operation range for car audio and telematic	10 W	-	D	-	I ² C bus	4	3.3	18
G	FDA903S	QFN32	1 channel class D digital input automotive power amplifier with diagnostics, load current monitoring wide voltage operation range for car audio and telematic	10 W	-	D	-	I ² C bus	4	3.3	18

Note * Coming soon



CLASS AB - BIPOLAR SINGLE/DUAL

Pin comp.	Part number	Package	General description	Max power capability (15.2 V, 4 Ω)	Power at 10% THD (14.4 V, 4 Ω)	Amplifier class	Gain (dB)	Diagnostics	Load (min ohm)	Supply voltage	
										min V	max V
Z	TDA7375AV	Multiwatt15	Quad SE or dual BTL output with hardware standby and clip detection	4 x 11 W 2 x 47 W	4 x 7 W 2 x 26 W	AB	26/20	by pin	2	8	18
Z	TDA7375V	Multiwatt15	Quad SE or dual BTL output with hardware standby and clip detection	4 x 10 W 2 x 44 W	4 x 7 W 2 x 25 W	AB	26/20	by pin	2	8	18
	TDA7376B	Multiwatt15	Differential input, dual BTL output with adjustable clip detection	2 x 44 W	2 x 25 W	AB	26	-	2	8	18
	TDA7376PD	PowerS036	Differential input, dual BTL output with adjustable clip detection	2 x 44 W	2 x 25 W	AB	26	-	2	8	18
	TDA7391LV	Multiwatt11 PowerS020	Low voltage operation, differential input, single BTL output with hardware standby and clip detection	1 x 45 W	1 x 26 W	AB	30	by pin	3.2	6	18
	TDA7396	Multiwatt11	Differential input, single BTL output with hardware standby and clip detection	1 x 46 W	1 x 27 W	AB	26	by pin	2	8	18

CLASS AB - BIPOLAR QUAD

Pin comp.	Part number	Package	General description	Max power capability (15.2 V, 4 Ω)	Power at 10% THD (14.4 V, 4 Ω)	Amplifier class	Gain (dB)	Diagnostics	Load (min ohm)	Supply voltage	
										min V	max V
Y	TDA7385	Flexiwatt25	Quad BTL output with hardware standby and mute, clip detection	4 x 42 W	4 x 23 W	AB	26	by pin	4	8	18
Y	TDA7387EP	Flexiwatt25 EP	Quad BTL output with hardware standby and mute	4 x 41 W	4 x 21W	AB	26	-	4	8	18
W	TDA7388	Flexiwatt25	Quad BTL output with hardware standby and mute	4 x 45 W	4 x 26 W	AB	26	-	4	8	18
W	TDA7388EP	Flexiwatt25 EP	Quad BTL output with hardware standby and mute	4 x 45 W	4 x 26 W	AB	26	-	4	8	18
W	TDA7388A	Flexiwatt27	Quad BTL output with hardware standby and mute, clip and offset detection	4 x 46 W	4 x 27 W	AB	26	by pin	4	8	18

CLASS AB - 24V COMPLIANT

Pin comp.	Part number	Package	General description	Max power capability (15.2 V, 4 Ω)	Power at 10% THD (14.4 V, 4 Ω)	Amplifier class	Gain (dB)	Diagnostics	Load (min ohm)	Supply voltage	
										min V	max V
	TDA7576B	Multiwatt15	Dual BTL output for 24 V systems with hardware standby and mute, clip and offset detection	2 x 45 W @ 28 V	2 x 28 W @ 28 V	AB	26	by pin	4	8	32

CLASS AB - INTELLIGENT POWER

Pin comp.	Part number	Package	General description	Max power capability (15.2 V, 4 Ω)	Power at 10% THD (14.4 V, 4 Ω)	Amplifier class	Gain (dB)	Diagnostics	Load (min ohm)	Supply voltage	
										min V	max V
U	TDA7562B	Flexiwatt27	Intelligent quad BTL output with full I ² C diagnostics including tweeter detection and hardware standby/mute	4 x 46 W	4 x 27 W	AB	30/16	I ² C bus	2	8	18
U / T	TDA7563A	Flexiwatt27, PowerS036	Intelligent quad BTL output with full I ² C diagnostics including tweeter detection and hardware standby/mute	4 x 50 W	4 x 28 W	SB	26/12	I ² C bus	2	8	18
U / T	TDA7563ARH	Flexiwatt27 HrztI	Intelligent quad BTL output with full I ² C diagnostics in a reflow compatible package	4 x 50 W	4 x 28 W	SB	26/12	I ² C bus	2	8	18
U / T	TDA7563B	Flexiwatt27, PowerS036	Intelligent quad BTL output with full I ² C diagnostics including tweeter detection and hardware standby/mute	4 x 50 W	4 x 28 W	SB	30/16	I ² C bus	2	8	18
	TDA7567PD	PowerS036	Intelligent differential input, quad BTL output with full I ² C diagnostics including tweeter detection	4 x 50 W	4 x 28 W	SB	26/16	I ² C bus	2	8	18
U	TDA7569BLV	Flexiwatt27, PowerS036	Low voltage operation intelligent quad BTL output with full I ² C diagnostics including tweeter detection and hardware standby/mute	4 x 50 W	4 x 28 W	SB	26/16	I ² C bus	2	6	18
X	TDA7569BDLV	PowerS036	Low voltage operation differential intelligent quad BTL output with full I ² C diagnostics including tweeter detection and hardware standby/mute	4 x 50 W	4 x 28 W	SB	26/16	I ² C bus	2	6	18
X	TDA75610DLV	PowerS036	Low voltage operation differential intelligent quad BTL output with full I ² C diagnostics including tweeter detection and hardware standby/mute	4 x 45 W	4 x 25 W	SB	26/16	I ² C bus	2	6	18
U/T	TDA75610SEP	Flexiwatt27 EP	Low voltage operation differential intelligent quad BTL output with full I ² C diagnostics including tweeter detection and hardware standby/mute	4 x 45 W	4 x 25 W	SB	26/16	I ² C bus	2	6	18
U/T	TDA75610SLV	Flexiwatt27, PowerS036	Low voltage operation differential intelligent quad BTL output with full I ² C diagnostics including tweeter detection and hardware standby/mute	4 x 45 W	4 x 25 W	SB	26/16	I ² C bus	2	6	18
R	TDA7575B	Flexiwatt27, PowerS036	Intelligent differential input, dual BTL output with full I ² C diagnostics, standby and hardware mute	2 x 50 W	2 x 28 W	SB	26/12	I ² C bus	1	8	18
R	TDA7577BLV	Flexiwatt27, PowerS036	Low voltage operation differential intelligent quad BTL output with full I ² C diagnostics including tweeter detection and hardware standby/mute	2 x 50 W	2 x 28 W	SB	26/16	I ² C bus	1	6	18
Q	TDA7802	Flexiwatt27, PowerS036	Low voltage operation, digital input (I ² S), intelligent quad BTL output with full I ² C diagnostics	4 x 50 W	4 x 28 W	SB-I	16/10.5 8/2.5	I ² C bus	1	6	18
J	TDA7803A	Flexiwatt27 PowerS036	Low voltage operation, digital input (I ² S), intelligent quad BTL output with full I ² C diagnostics	4x47W	4x27W	SB-I	-	I ² C bus	1	6	18
J	TDA7808	Flexiwatt27 PowerS037	Low voltage operation, digital input (I ² S), intelligent quad BTL	4x47W	4x27W	SB-I	-	I ² C bus	1	6	18
	TDA7901	PowerS036	High efficiency, digital input (I ² S), intelligent quad BTL output with full I ² C diagnostics, Class-G integrated	4x47W	4x27W	G	-	I ² C bus	1	6	18

CLASS AB - MOSFET QUAD

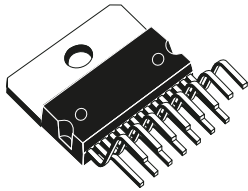


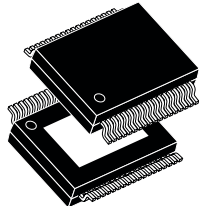


Pin comp. 1	Part number	Package	General description	Max power capability (15.2 V, 4 Ω)	Power at 10% THD (14.4 V, 4 Ω)	Amplifier class	Gain (dB)	Diagnostics	Load (min ohm)	Supply voltage	
										min V	max V
IY	STPA001	Flexiwatt25, Flexiwatt27	High sound quality quad BTL output power amplifier with standby and mute inputs, clip and offset detection, start stop compatibility	4 x 50 W	4 x 28 W	AB	26	by pin	2	6	18
I	STPA001AEP	Flexiwatt27 EP	High sound quality quad BTL output power amplifier with standby and mute inputs, clip and offset detection, start stop compatibility	4 x 50 W	4 x 28 W	AB	26	by pin	2	6	18
IY	STPA002	Flexiwatt25, Flexiwatt27	High sound quality quad BTL output power amplifier with standby and mute inputs, clip and offset detection, start/stop compatibility	4 x 52 W	4 x 30 W	AB	26	by pin	2	6	18
IY	STPA003	Flexiwatt25, Flexiwatt27	High sound quality quad BTL output with excellent GSM noise immunity, clip and offset detection, start-stop compatibility	4 x 52 W	4 x 30W	AB	26	by pin	2	6	18
IY	STPA008	Flexiwatt25, Flexiwatt27, PowerSO-36	High sound quality quad BTL output with excellent GSM noise immunity, clip and offset detection, start-stop compatibility	4 X 50 W	4 x 28 W	AB	26	by pin	2	6	18
Y	TDA7850	Flexiwatt25	Quad BTL output with HSD/offset detection, hardware standby and mute	4 x 52 W	4 x 30 W	AB	26	by pin	2	8	18
Y	TDA7850EP	Flexiwatt25 EP	Quad BTL output with HSD/offset detection, hardware standby and mute	4 x 52 W	4 x 30 W	AB	26	by pin	2	8	18
I	TDA7850A	Flexiwatt27	Quad BTL output with HSD, offset detection, hardware standby and mute	4 x 52 W	4 x 30 W	AB	26	by pin	2	8	18
I	TDA7850AEP	Flexiwatt27 EP	Quad BTL output with HSD, offset detection, hardware standby and mute	4 x 52 W	4 x 30 W	AB	26	by pin	2	8	18
I	TDA7851A	Flexiwatt27	Quad BTL output with hardware standby and mute, clip and offset detection	4 x 48 W	4 x 28 W	AB	26	by pin	2	8	18
I	TDA7851AEP	Flexiwatt27 EP	Quad BTL output with hardware standby and mute, clip and offset detection	4 x 48 W	4 x 28 W	AB	26	by pin	2	8	18
Y	TDA7851F	Flexiwatt25	Quad BTL output with hardware standby and mute, offset detection	4 x 48 W	4 x 28 W	AB	26	by pin	2	8	18
I	TDA7851L	Flexiwatt25	Quad BTL output with hardware standby and mute, clip detection	4 x 48 W	4 x 28 W	AB	26	by pin	2	8	18
I	TDA7828	Flexiwatt25 EP	Quad BTL output with hardware standby and mute, clip detection	4 x 48 W	4 x 28 W	AB	26	by pin	2	8	18

Note:

1. Pin compatibility: products with same letters are pin-to-pin compatible
2. With step-up enabled

BTL = bridge-tied load
 SE = single ended
 SB = high-efficiency class
 SB-l = improved high-efficiency class

Packages

Package	Available package option	Package	Available package option
 <p>Multiwatt15</p>	Multiwatt 11	 <p>TQFP-64 – slug up</p>	LQFP48 – slug up LQFP64 – slug up TQFP-100 – slug up
 <p>Flexiwatt25 vertical</p>	Flexiwatt25 horizontal Flexiwatt25 smd Flexiwatt25 (exp.pad) Flexiwatt27 horizontal Flexiwatt27 smd Flexiwatt27 vertical Flexiwatt27 (exp.pad)	 <p>PowerSS036- slug down</p>	PowerSS036- slug up
 <p>PowerSO20 slug-down</p>	PowerSO20 slug-up PowerSO36 slug-up	 <p>VFQFPN48</p>	QFN32

life.augmented



Order code: BR2307AUTAUDPOWERAMP

For more information on ST products and solutions, visit www.st.com

© STMicroelectronics - July 2023 - Printed in the United Kingdom - All rights reserved
ST and the ST logo are registered and/or unregistered trademarks of STMicroelectronics International NV or its affiliates in the EU and/or elsewhere. In particular, ST and the ST logo are Registered in the US Patent and Trademark Office. For additional information about ST trademarks, please refer to www.st.com/trademarks.
All other product or service names are the property of their respective owners.

