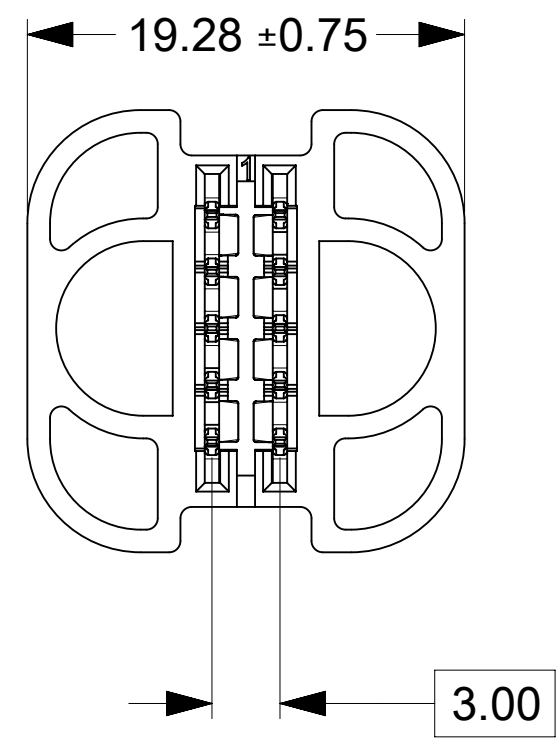


- NOTES:
- MATERIAL:
 - HOUSINGS: LCP UL94, V-0, COLOR : BLACK
 - TERMINALS: HIGH CONDUCTIVITY COPPER ALLOY
 - PLATING: 1.27 µm (50 µin) NICKEL OVERALL WITH
2.54 µm (100 µin) SELECTIVE TIN ON TAILS AND
0.762 µm (30 µin) SELECTIVE GOLD ON CONTACT AREA
 - PACKAGING: ASSEMBLIES TO BE TRAY PACKED PER PACKAGING SPEC: 2141140001-PK.
 - PLATED THRU HOLE SIZE, REFER TO PRODUCT SPEC. FOR DETAILS.
 - PRODUCT SPEC: 2141130000-PS.
 - PRODUCT TO MEET RoHS REQUIREMENTS.
 - VERTICAL ASSEMBLY MATES TO MOLEX PLUG 219562XXXX-SD, SEE DRAWING FOR DETAILS.
 - TAIL DESIGN: COMPLIANT PIN.
 - POWER TERMINALS ARE LUBRICATED.
 - APPLICATION SPECIFICATION: 2141130000-AS (FOR COMPLIANT TAILS ONLY).

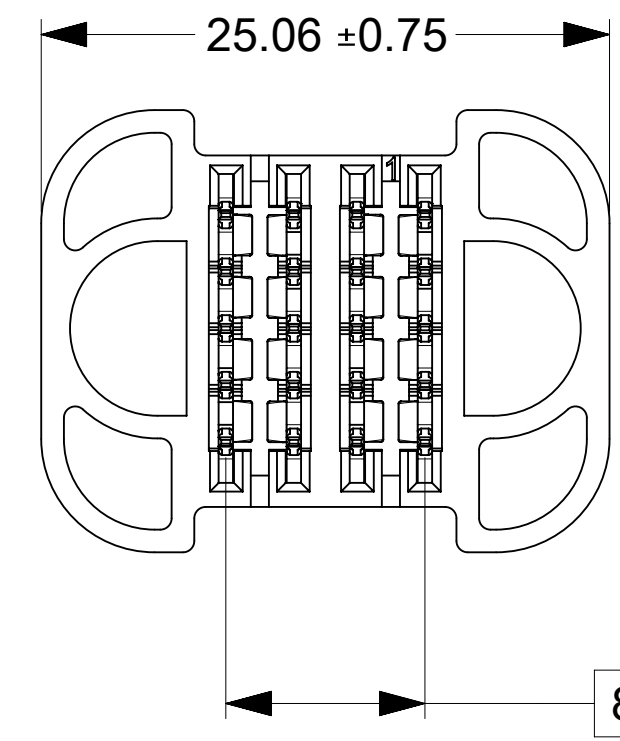
RECOMMENDED PCB LAYOUT AND KEEP-OUT ZONE

THIS DRAWING CONTAINS INFORMATION THAT IS PROPRIETARY TO MOLEX ELECTRONIC TECHNOLOGIES, LLC AND SHOULD NOT BE USED WITHOUT WRITTEN PERMISSION										
DIMENSION UNITS	SCALE	CURRENT REV DESC:								
mm	3:1	<div style="text-align: right; font-size: 2em; font-weight: bold; margin-bottom: 10px;">molex</div> GUARDIAN HD VREC POWER ONLY PF PRODUCT CUSTOMER DRAWING								
GENERAL TOLERANCES (UNLESS SPECIFIED)										
ANGULAR TOL	± °									
4 PLACES	±									
3 PLACES	±									
2 PLACES	± 0.25									
1 PLACE	± 0.3	EC NO: 745288	2023/03/23		DOCUMENT NUMBER <div style="font-size: 1.2em; font-weight: bold;">2195639000-SD</div>			DOC TYPE	DOC PART	REVISION
0 PLACES	±	DRWN: LZABJANOVSKI	2022/03/30					PSD	000	A2
DRAFT WHERE APPLICABLE MUST REMAIN WITHIN DIMENSIONS		THIRD ANGLE PROJECTION	DRAWING	SERIES	MATERIAL NUMBER	CUSTOMER	SHEET NUMBER			
			D-SIZE	219563	SEE CHART		1 OF 2			

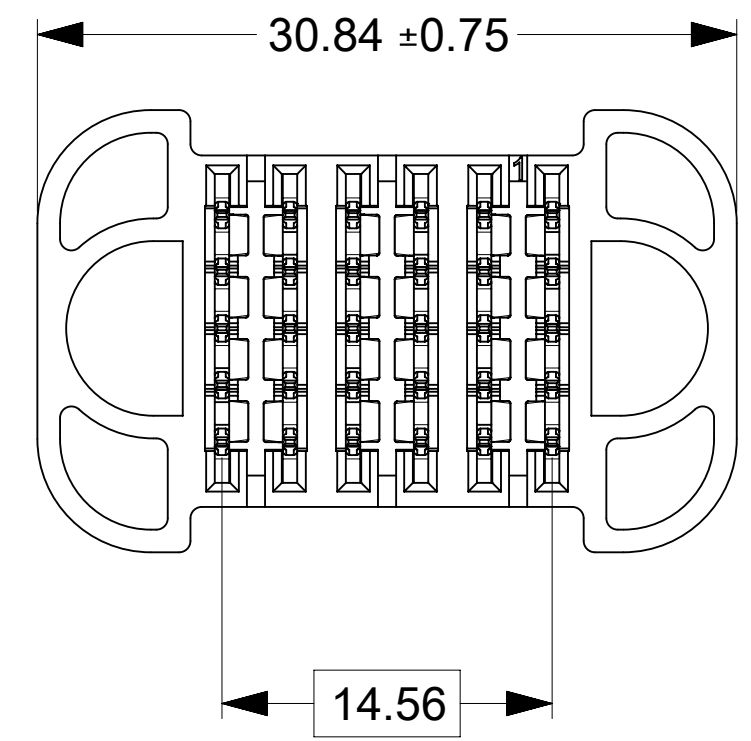
PART NUMBER	CONFIGURATION	QUANTITY PER CARTON (DU)
219563-0001	G+1P+G	280



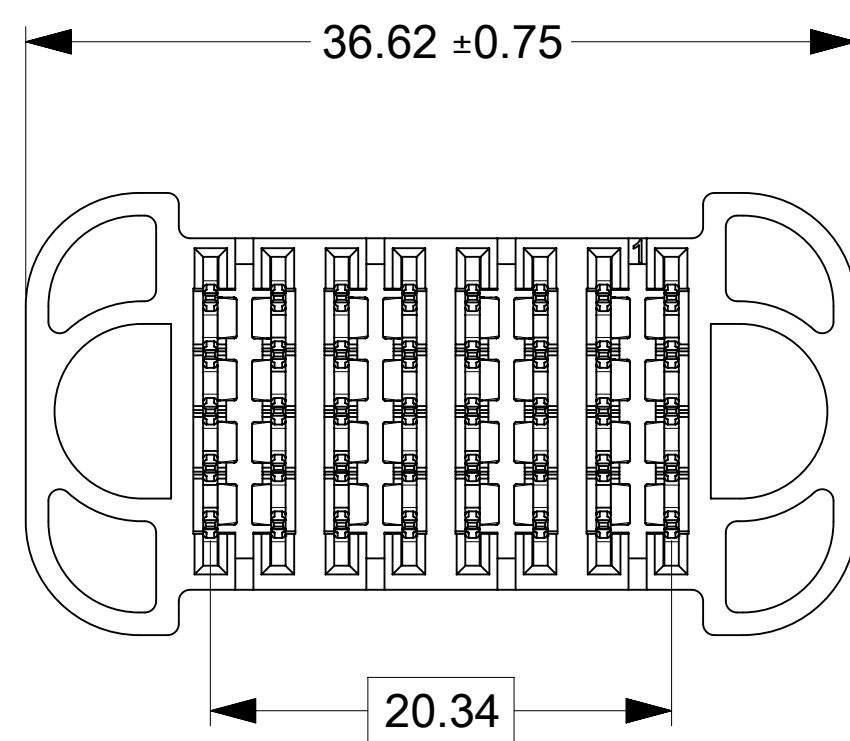
PART NUMBER	CONFIGURATION	QUANTITY PER CARTON (DU)
219563-0002	G+2P+G	220



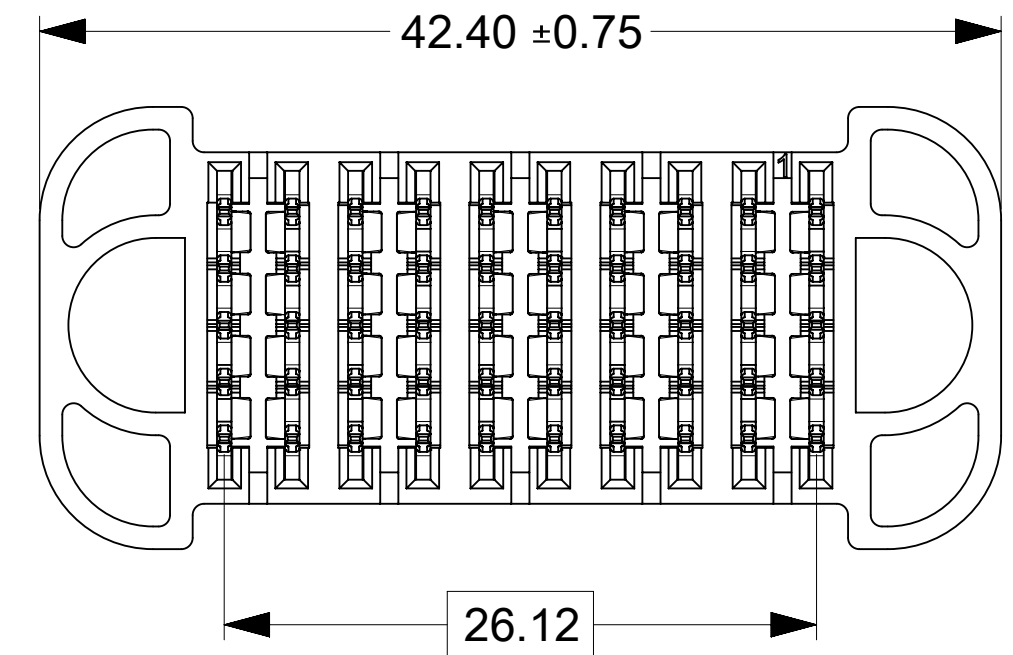
PART NUMBER	CONFIGURATION	QUANTITY PER CARTON (DU)
219563-0003	G+3P+G	180



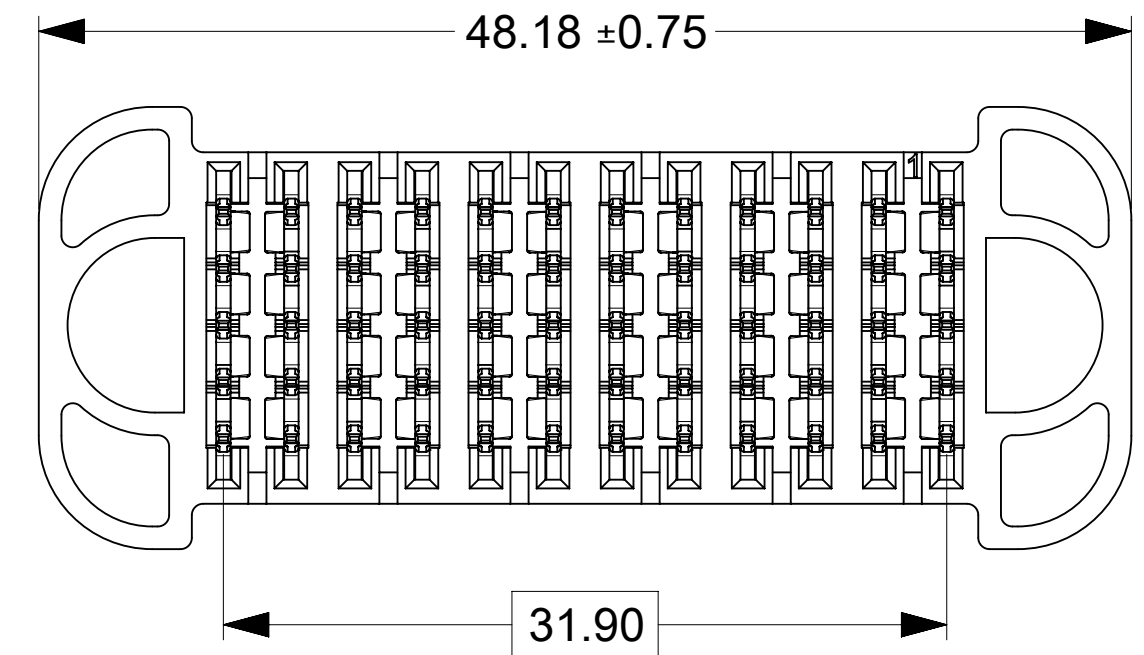
PART NUMBER	CONFIGURATION	QUANTITY PER CARTON (DU)
219563-0004	G+4P+G	140



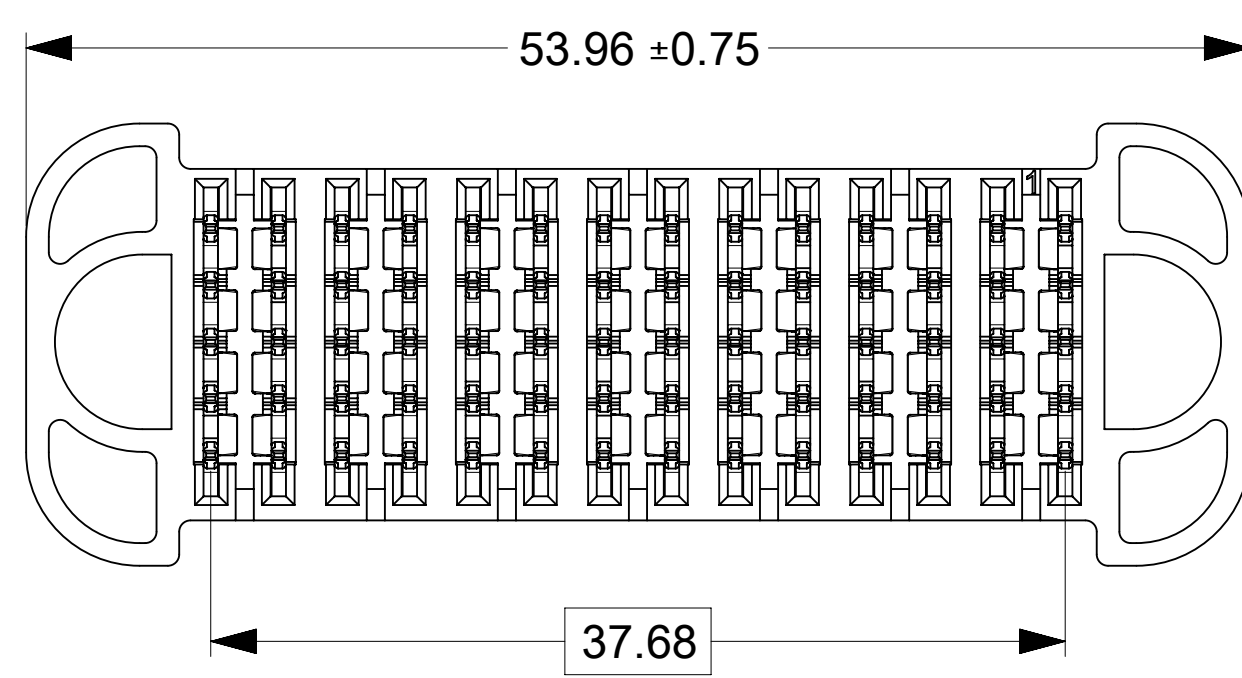
PART NUMBER	CONFIGURATION	QUANTITY PER CARTON (DU)
219563-0005	G+5P+G	120



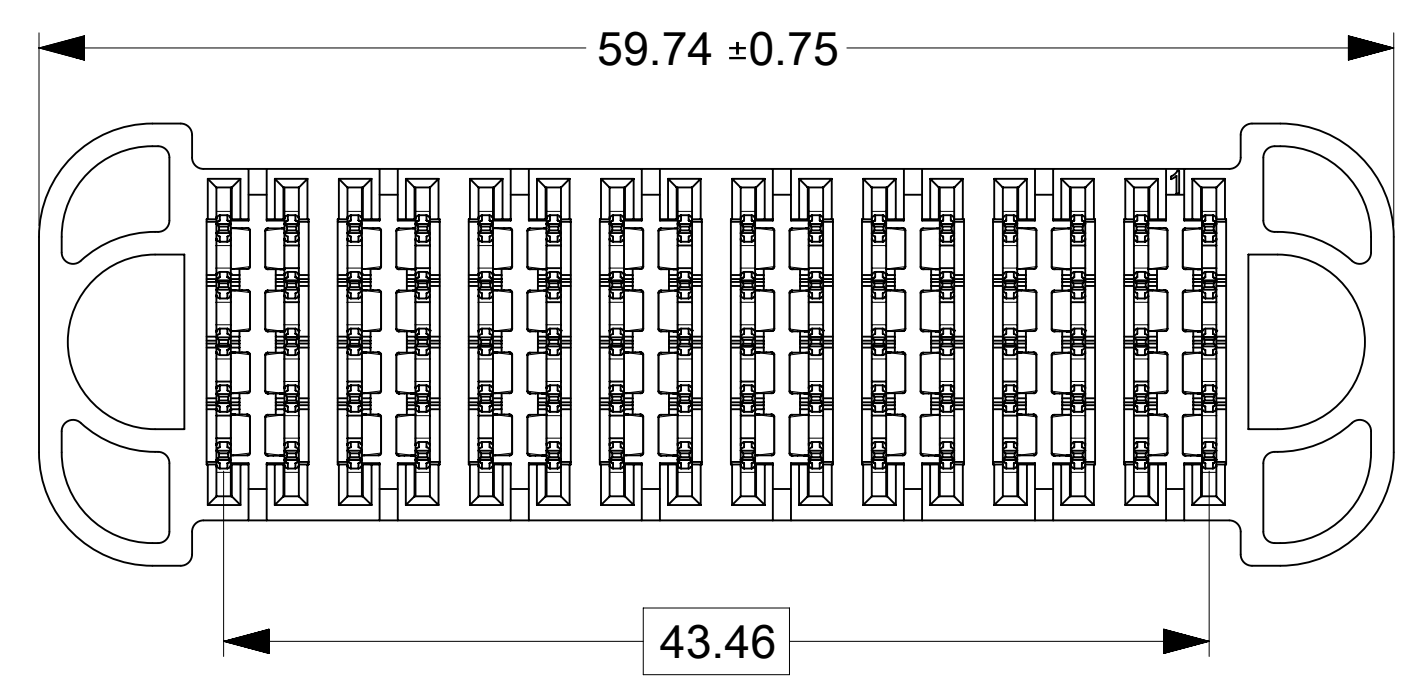
PART NUMBER	CONFIGURATION	QUANTITY PER CARTON (DU)
219563-0006	G+6P+G	100



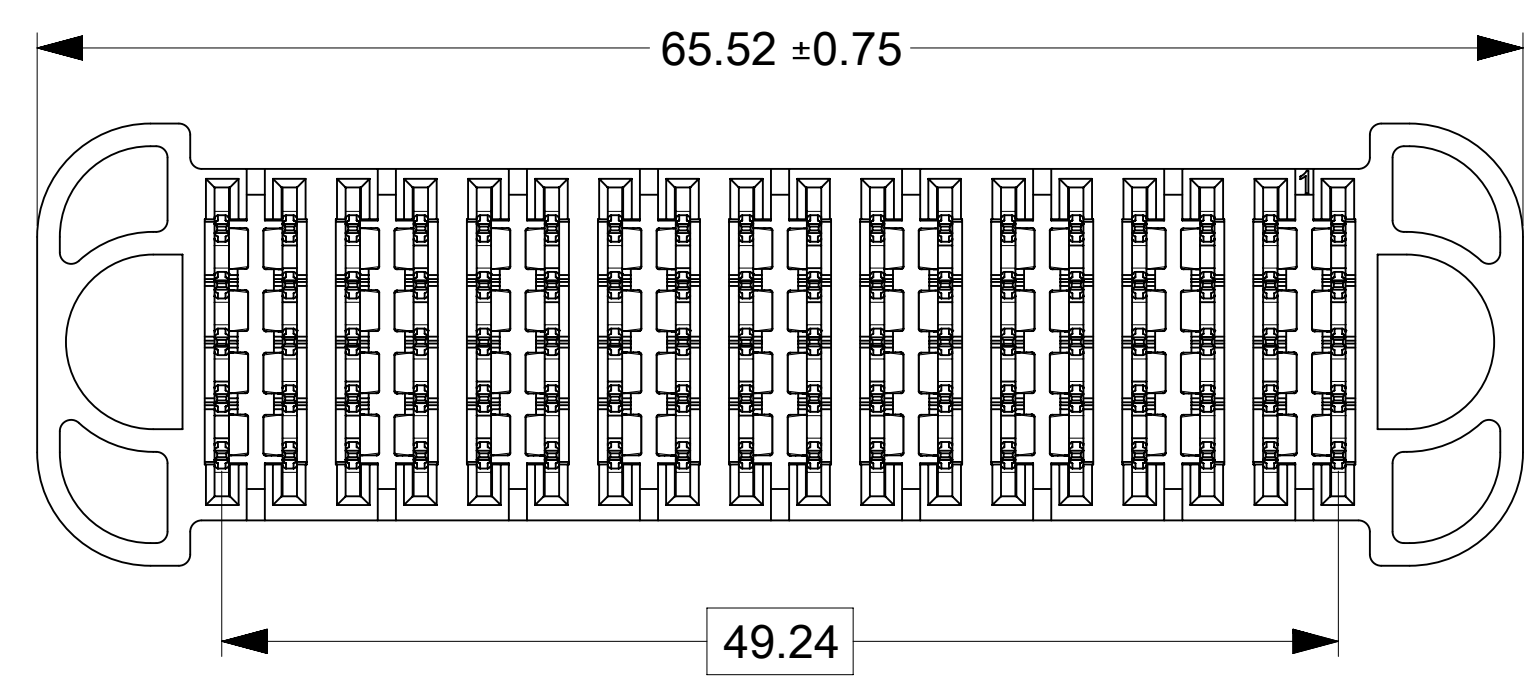
PART NUMBER	CONFIGURATION	QUANTITY PER CARTON (DU)
219563-0007	G+7P+G	100



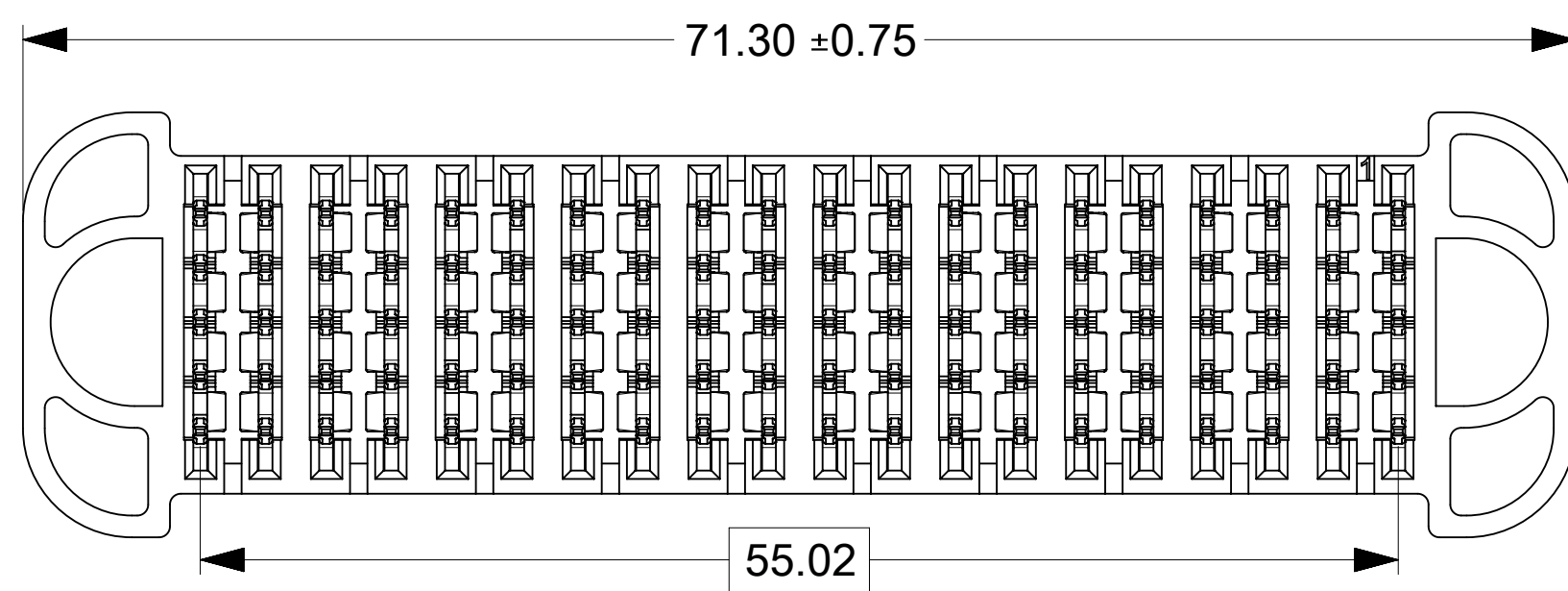
PART NUMBER	CONFIGURATION	QUANTITY PER CARTON (DU)
219563-0008	G+8P+G	80



PART NUMBER	CONFIGURATION	QUANTITY PER CARTON (DU)
219563-0009	G+9P+G	80



PART NUMBER	CONFIGURATION	QUANTITY PER CARTON (DU)
219563-0010	G+10P+G	60



*** VIEWS SHOWN ON THIS SHEET ARE FROM THE BOTTOM OF THE CONNECTOR**

THIS DRAWING CONTAINS INFORMATION THAT IS PROPRIETARY TO MOLEX ELECTRONIC TECHNOLOGIES, LLC AND SHOULD NOT BE USED WITHOUT WRITTEN PERMISSION															
DIMENSION UNITS		SCALE		CURRENT REV DESC:											
mm		3:1													
GENERAL TOLERANCES (UNLESS SPECIFIED)															
ANGULAR TOL ± °															
4 PLACES		±		EC NO: 745288											
3 PLACES		±		DRWN: LZABJANOVSKI				2023/03/23							
2 PLACES		± 0.25		CHK'D: JAYK1				2023/04/10							
1 PLACE		± 0.3		APPR: JAYK1				2023/04/10							
0 PLACES		±		INITIAL REVISION:											
				DRWN: LZABJANOVSKI				2022/03/30							
				APPR: BPISZCZOR				2022/08/04							
DRAFT WHERE APPLICABLE MUST REMAIN WITHIN DIMENSIONS			THIRD ANGLE PROJECTION		DRAWING		SERIES		MATERIAL NUMBER			CUSTOMER		SHEET NUMBER	
					D-SIZE		219563		SEE CHART					2 OF 2	
				molex											
												GUARDIAN HD VREC POWER ONLY PF			
												PRODUCT CUSTOMER DRAWING			
				DOCUMENT NUMBER		DOC TYPE		DOC PART		REVISION					
				2195639000-SD		PSD		000		A2					
DOCUMENT STATUS		P1		RELEASE DATE		2023/04/11		17:05:26							