

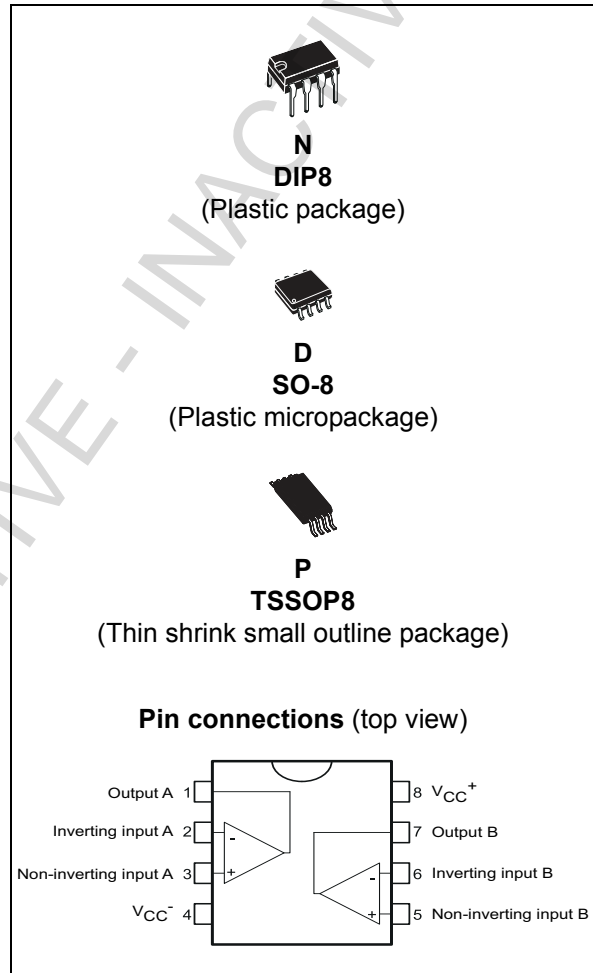
Features

- Frequency compensation implemented internally
- Large DC voltage gain: 100 dB
- Wide bandwidth (unity gain): 1.1 MHz (temperature compensated)
- Very low supply current/op (500 μ A per channel)
- Low input bias current: 20 nA (temperature compensated)
- Low input offset current: 2 nA
- Input common-mode voltage range includes negative rail
- Differential input voltage range equal to the power supply voltage
- Large output voltage swing 0 V to ($V_{CC}^+ - 1.5$ V)
- ESD internal protection: 2 kV
- Automotive qualification

Description

The LM2904W and LM2904AW circuits consist of two independent, high gain operational amplifiers which employ internal frequency compensation and are designed specifically for automotive and industrial control systems. They operate from a single power supply over a wide range of voltages. The low power supply drain is independent of the magnitude of the power supply voltage.

Application areas include transducer amplifiers, DC gain blocks, and all the conventional op-amp circuits which now can be more easily implemented in single power supply systems. For example, these circuits can be directly supplied from standard +5 V which is used in logic systems and easily provides the required interface electronics without requiring any additional power



supply. In linear mode, the input common mode voltage range includes ground. The output voltage can also swing to ground even though operated from a single power supply.

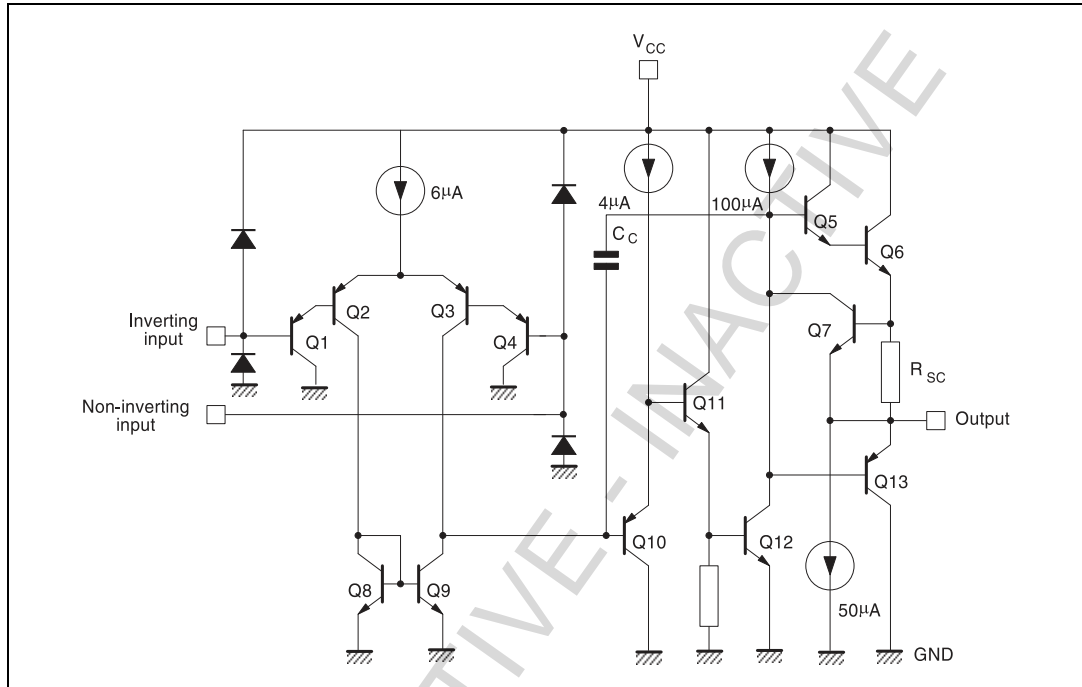
Contents

1	Schematic diagram	3
2	Absolute maximum ratings and operating conditions	4
3	Electrical characteristics	6
	Typical single-supply applications.....	11
4	Macromodel	13
	4.1 Important note concerning this macromodel	13
	4.2 Macromodel code	13
5	Package information	15
	5.1 DIP8 package information	16
	5.2 SO-8 package information	17
	5.3 TSSOP8 package information	18
6	Ordering information	19
7	Revision history	20

INACTIVE - INACTIVE - INACTIVE

1 Schematic diagram

Figure 1. Schematic diagram (1/2 LM2904W, LM2904AW)



2 Absolute maximum ratings and operating conditions

Table 1. Absolute maximum ratings (AMR)

Symbol	Parameter	Value	Unit
V_{CC}	Supply voltage ⁽¹⁾	+32	V
V_{id}	Differential input voltage ⁽²⁾	-0.3 V to $V_{CC} + 0.3$	
V_{in}	Input voltage	-0.3 V to $V_{CC} + 0.3$	
	Output short-circuit duration ⁽³⁾	Infinite	s
I_{in}	Input current ⁽⁴⁾	50	mA
T_{stg}	Storage temperature range	-65 to +150	°C
T_j	Maximum junction temperature	150	
R_{thja}	Thermal resistance junction to ambient ⁽⁵⁾		°C/W
	DIP8	85	
	SO-8	125	
R_{thjc}	Thermal resistance junction to case ⁽⁵⁾		
	DIP8	41	
	SO-8	40	
TSSOP8	37		
T_{stg}	Storage temperature range	-65 to +150	°C
ESD	HBM: human body model ⁽⁶⁾	2000	V
	MM: machine model ⁽⁷⁾	200	
	CDM: charged device model ⁽⁸⁾	1500	

- All voltage values, except differential voltage are with respect to network ground terminal.
- Differential voltages are the non-inverting input terminal with respect to the inverting input terminal.
- Short-circuits from the output to V_{CC} can cause excessive heating if $V_{CC}^+ > 15$ V. The maximum output current is approximately 40 mA, independent of the magnitude of V_{CC} . Destructive dissipation can result from simultaneous short-circuits on all amplifiers.
- This input current only exists when the voltage at any of the input leads is driven negative. It is due to the collector-base junction of the input PNP transistor becoming forward biased and thereby acting as input diode clamps. In addition to this diode action, there is also NPN parasitic action on the IC chip. This transistor action can cause the output voltages of the Op-amps to go to the V_{CC} voltage level (or to ground for a large overdrive) for the time during which an input is driven negative. This is not destructive and normal output is restored for input voltages above -0.3 V.
- Short-circuits can cause excessive heating and destructive dissipation. R_{th} are typical values.
- Human body model: 100 pF discharged through a 1.5 k Ω resistor between two pins of the device, done for all couples of pin combinations with other pins floating.
- Machine model: a 200 pF cap is charged to the specified voltage, then discharged directly between two pins of the device with no external series resistor (internal resistor < 5 Ω), done for all couples of pin combinations with other pins floating.
- Charged device model: all pins plus package are charged together to the specified voltage and then discharged directly to the ground.

Table 2. Operating conditions

Symbol	Parameter	Value	Unit
V_{CC}	Supply voltage	3 to 30	V
V_{icm}	Common mode input voltage range $T_{min} \leq T_{amb} \leq T_{max}$	$V_{CC}^{+} - 1.5$ $V_{CC}^{+} - 2$	
T_{oper}	Operating free-air temperature range	-40 to +125	°C

3 Electrical characteristics

Table 3. $V_{CC}^+ = 5\text{ V}$, $V_{CC}^- = \text{Ground}$, $V_O = 1.4\text{ V}$, $T_{\text{amb}} = 25\text{ }^\circ\text{C}$
(unless otherwise specified)

Symbol	Parameter	Min.	Typ.	Max.	Unit
V_{io}	Input offset voltage ⁽¹⁾				
	$T_{\text{amb}} = 25\text{ }^\circ\text{C}$ LM2904W		2	7	mV
	$T_{\text{amb}} = 25\text{ }^\circ\text{C}$ LM2904AW		1	2	
	$T_{\text{min}} \leq T_{\text{amb}} \leq T_{\text{max}}$ LM2904W			9	
$T_{\text{min}} \leq T_{\text{amb}} \leq T_{\text{max}}$ LM2904AW			4		
DV_{io}	Input offset voltage drift		7	30	$\mu\text{V}/^\circ\text{C}$
I_{io}	Input offset current		2	30	nA
	$T_{\text{min}} \leq T_{\text{amb}} \leq T_{\text{max}}$			40	
DI_{io}	Input offset current drift		10	300	$\text{pA}/^\circ\text{C}$
I_{ib}	Input bias current ⁽²⁾		20	150	nA
	$T_{\text{min}} \leq T_{\text{amb}} \leq T_{\text{max}}$			200	
A_{vd}	Large signal voltage gain				V/mV
	$V_{CC}^+ = +15\text{ V}$, $R_L = 2\text{ k}\Omega$, $V_O = 1.4\text{ V}$ to 11.4 V $T_{\text{min}} \leq T_{\text{amb}} \leq T_{\text{max}}$	50 25	100		
SVR	Supply voltage rejection ratio				dB
	$R_S \leq 10\text{ k}\Omega$ $T_{\text{min}} \leq T_{\text{amb}} \leq T_{\text{max}}$	65 65	100		
I_{CC}	Supply current, all Amp, no load				mA
	$V_{CC} = +5\text{ V}$ $T_{\text{min}} \leq T_{\text{amb}} \leq T_{\text{max}}$, $V_{CC} = +30\text{ V}$		0.7	1.2 2	
CMR	Common-mode rejection ratio				dB
	$R_S = 10\text{ k}\Omega$ $T_{\text{min}} \leq T_{\text{amb}} \leq T_{\text{max}}$	70 60	85		
I_{source}	Output short-circuit current $V_{CC}^+ = +15\text{ V}$, $V_O = +2\text{ V}$, $V_{id} = +1\text{ V}$	20	40	60	mA
I_{sink}	Output sink current				mA μA
	$V_O = 2\text{ V}$, $V_{CC}^+ = +5\text{ V}$ $V_O = +0.2\text{ V}$, $V_{CC}^+ = +15\text{ V}$	10 12	20 50		
V_{OH}	High level output voltage				V
	$V_{CC}^+ = +30\text{ V}$				
	$R_L = 2\text{ k}\Omega$ $T_{\text{min}} \leq T_{\text{amb}} \leq T_{\text{max}}$	26 26	27		
	$R_L = 10\text{ k}\Omega$ $T_{\text{min}} \leq T_{\text{amb}} \leq T_{\text{max}}$	27 27	28		
V_{OL}	Low level output voltage				mV
	$R_L = 10\text{ k}\Omega$ $T_{\text{min}} \leq T_{\text{amb}} \leq T_{\text{max}}$		5	20 20	

Table 3. $V_{CC}^+ = 5\text{ V}$, $V_{CC}^- = \text{Ground}$, $V_O = 1.4\text{ V}$, $T_{\text{amb}} = 25\text{ }^\circ\text{C}$
(unless otherwise specified) (continued)

Symbol	Parameter	Min.	Typ.	Max.	Unit
SR	Slew rate $V_{CC}^+ = 15\text{ V}$, $V_{\text{in}} = 0.5\text{ to }3\text{ V}$, $R_L = 2\text{ k}\Omega$, $C_L = 100\text{ pF}$, unity gain $T_{\text{min}} \leq T_{\text{amb}} \leq T_{\text{max}}$	0.3 0.2	0.6		V/ μs
GBP	Gain bandwidth product $f = 100\text{ kHz}$, $V_{CC}^+ = 30\text{ V}$, $V_{\text{in}} = 10\text{ mV}$, $R_L = 2\text{ k}\Omega$, $C_L = 100\text{ pF}$	0.7	1.1		MHz
THD	Total harmonic distortion $f = 1\text{ kHz}$, $A_V = 20\text{ dB}$, $R_L = 2\text{ k}\Omega$, $V_O = 2\text{ V}_{\text{pp}}$, $C_L = 100\text{ pF}$, $V_{CC}^+ = 30\text{ V}$		0.02		%
e_n	Equivalent input noise voltage $f = 1\text{ kHz}$, $R_S = 100\text{ }\Omega$, $V_{CC}^+ = 30\text{ V}$		55		nV/ $\sqrt{\text{Hz}}$
V_{O1}/V_{O2}	Channel separation ⁽³⁾ $1\text{ kHz} \leq f \leq 20\text{ kHz}$		120		dB

- $V_O = 1.4\text{ V}$, $R_S = 0\text{ }\Omega$, $5\text{ V} < V_{CC}^+ < 30\text{ V}$, $0\text{ V} < V_{\text{ic}} < V_{CC}^+ - 1.5\text{ V}$
- The direction of the input current is out of the IC. This current is essentially constant, independent of the state of the output, so there is no change in the loading charge on the input lines.
- Due to the proximity of external components, ensure that stray capacitance does not cause coupling between these external parts. Typically, this can be detected because this type of capacitance increases at higher frequencies.

Figure 2. Open loop frequency response

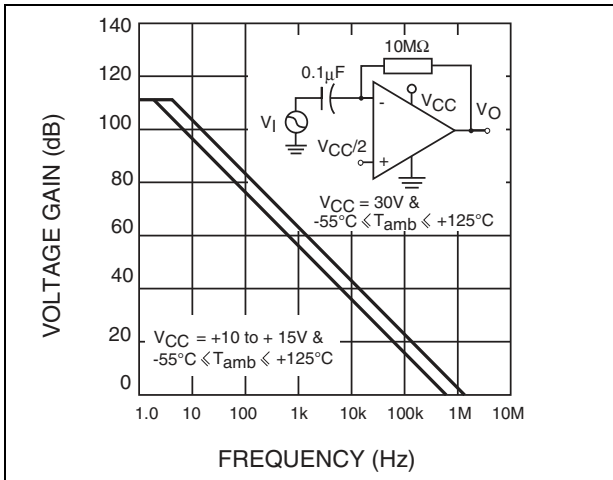


Figure 3. Large signal frequency response

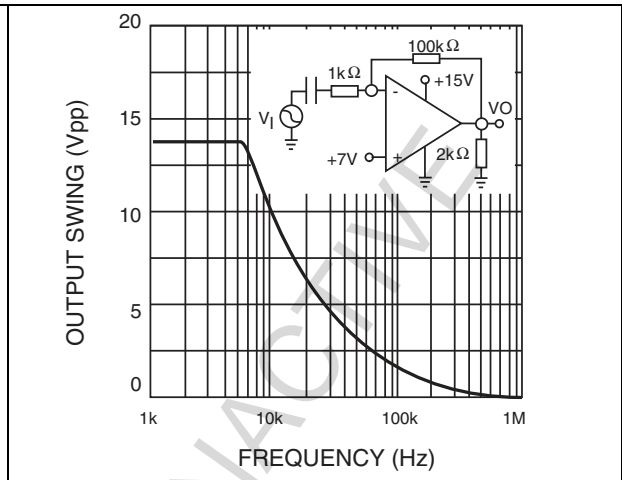


Figure 4. Voltage follower pulse response (V_{CC} = 15 V)

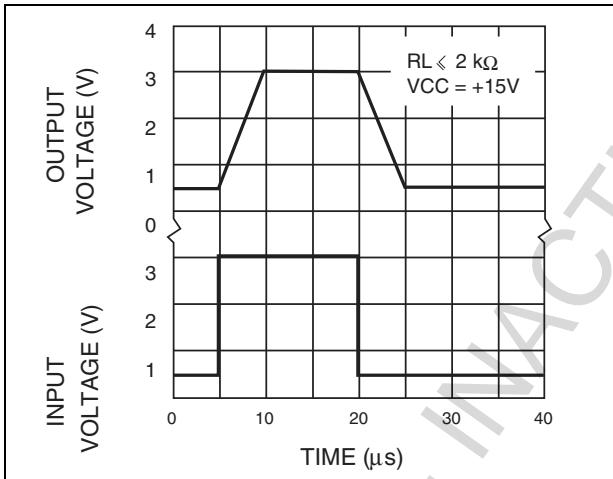


Figure 5. Output voltage vs output sink current

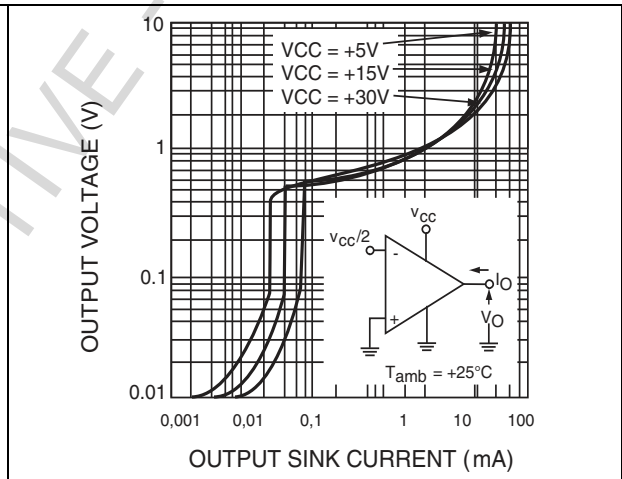


Figure 6. Voltage follower pulse response (V_{CC} = 30 V)

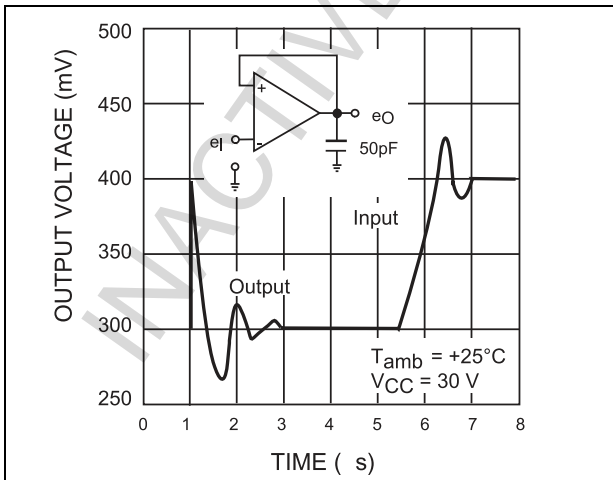


Figure 7. (V_{CC}+ - V_{out}) vs output source current

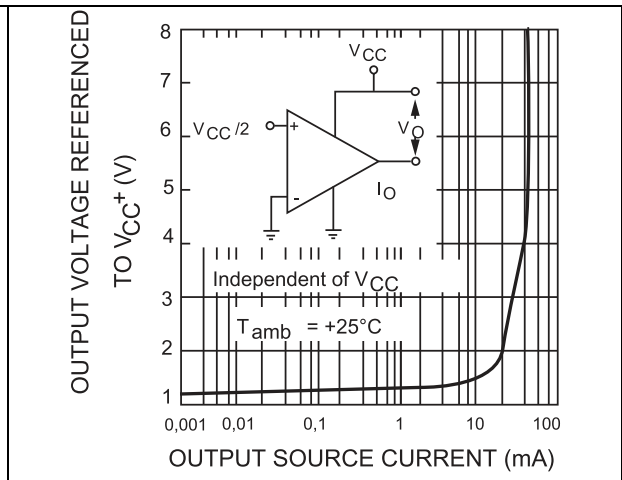


Figure 8. Input current versus temperature

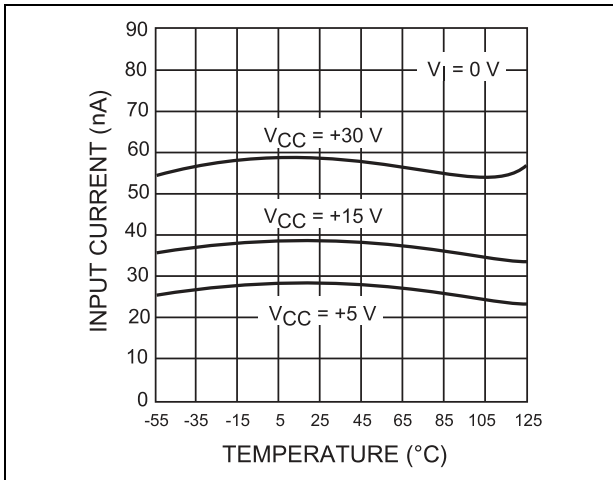


Figure 9. Current limiting

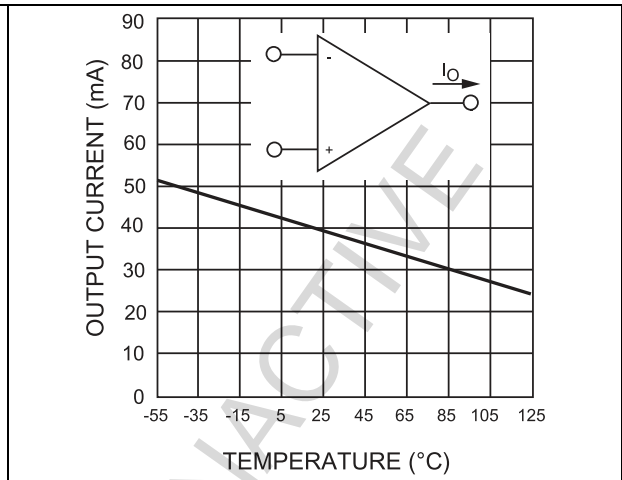


Figure 10. Input voltage range

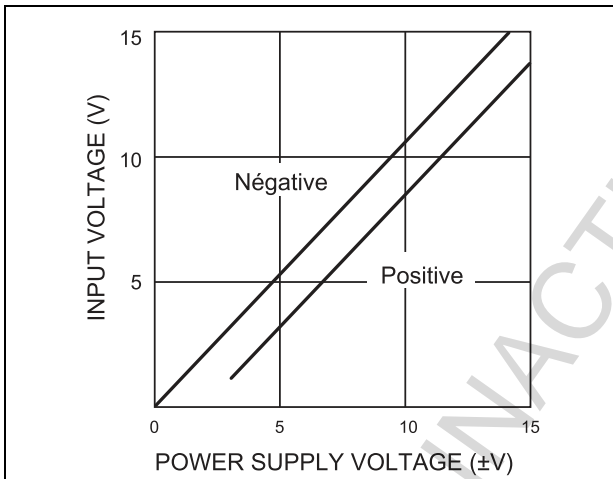


Figure 11. Supply current

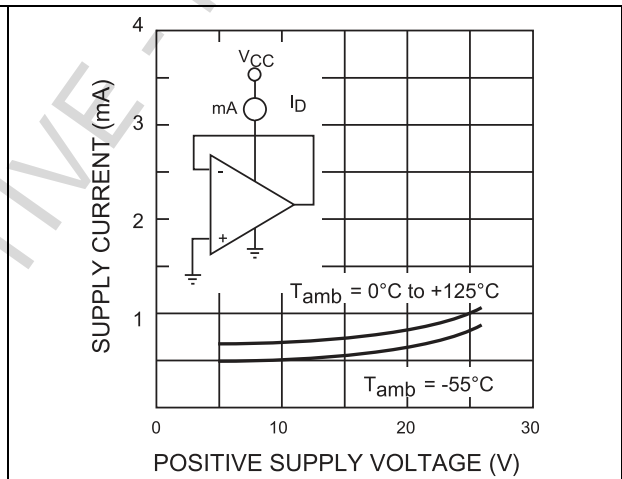


Figure 12. Voltage gain

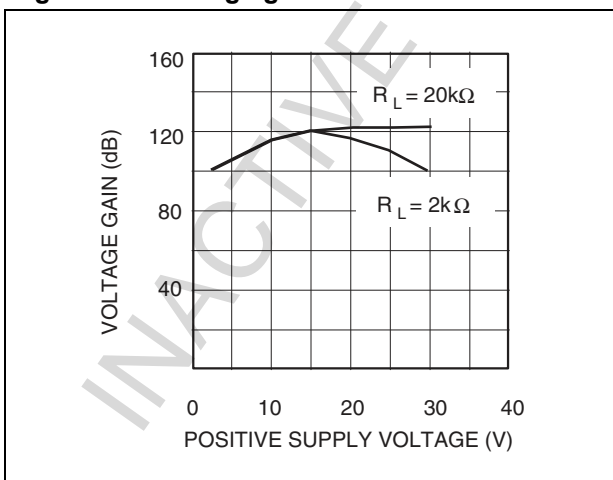


Figure 13. Input current versus supply voltage

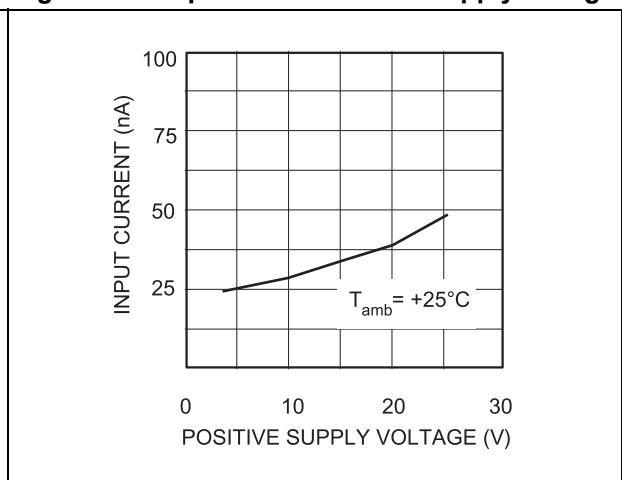


Figure 14. Gain bandwidth product

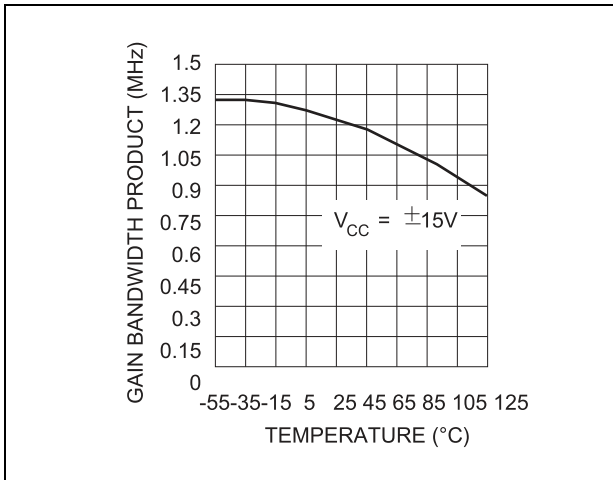


Figure 15. Power supply rejection ratio

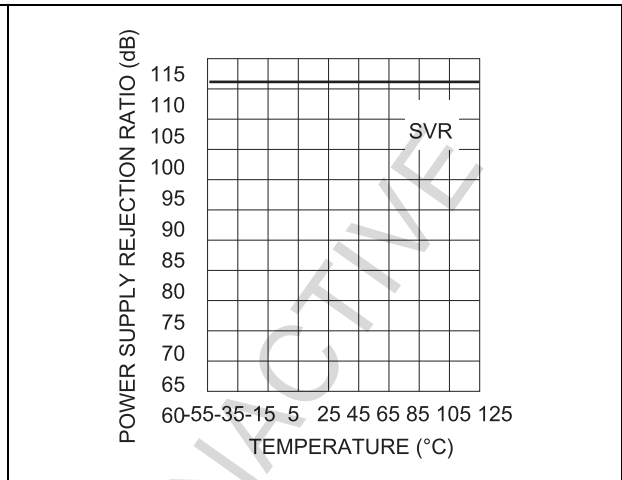


Figure 16. Common mode rejection ratio

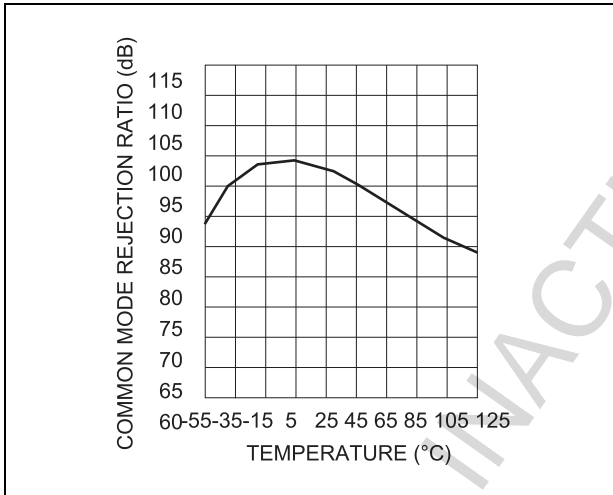
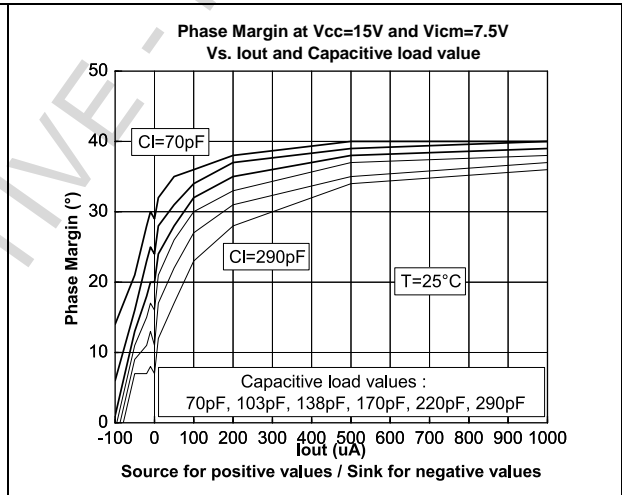


Figure 17. Phase margin vs capacitive load



Typical single-supply applications

Figure 18. AC coupled inverting amplifier

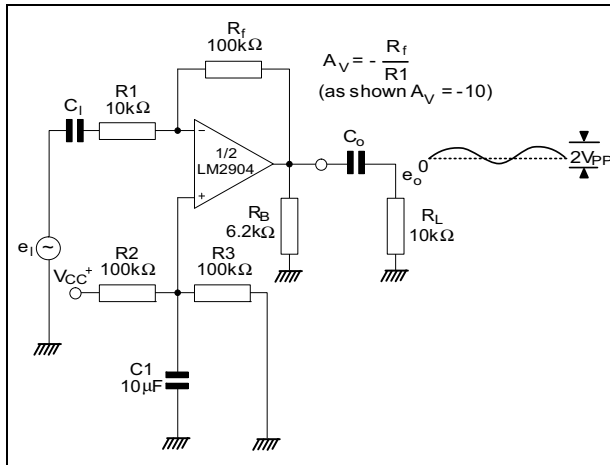


Figure 19. AC coupled non-inverting amplifier

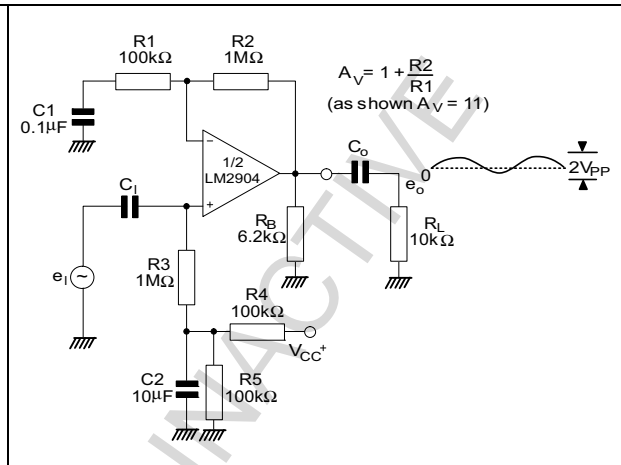


Figure 20. Non-inverting DC gain

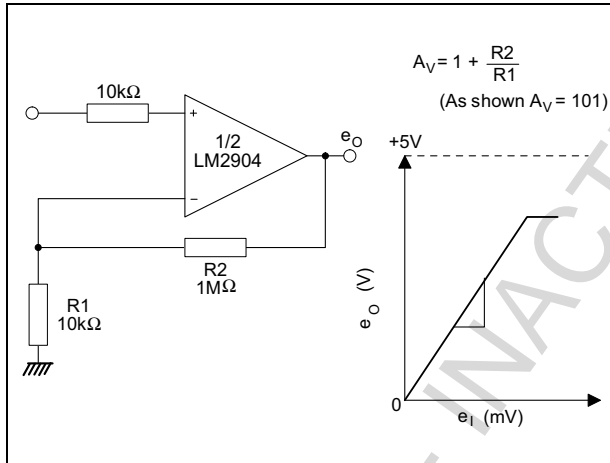


Figure 21. DC summing amplifier

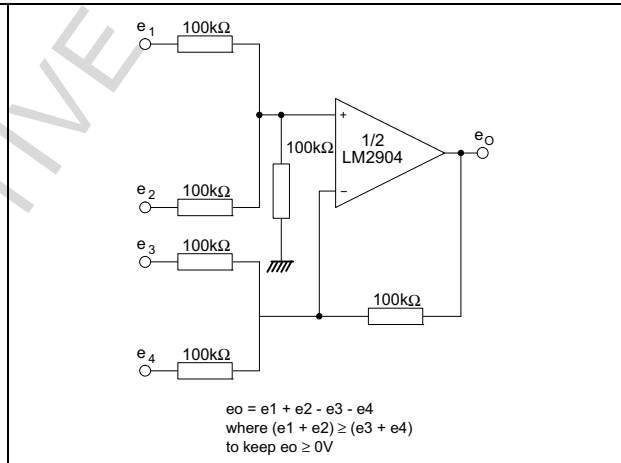


Figure 22. High input Z, DC differential amplifier

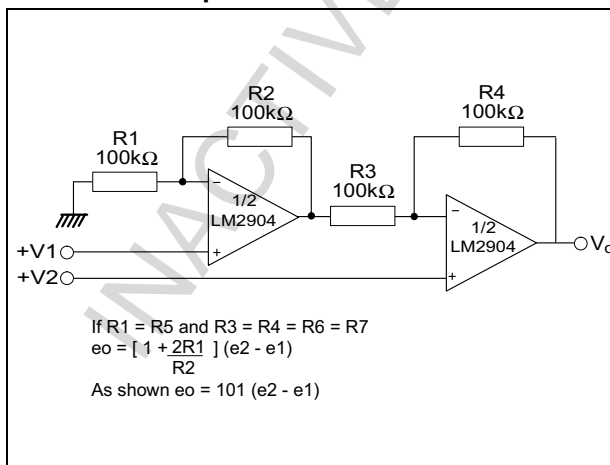


Figure 23. Using symmetrical amplifiers to reduce input current

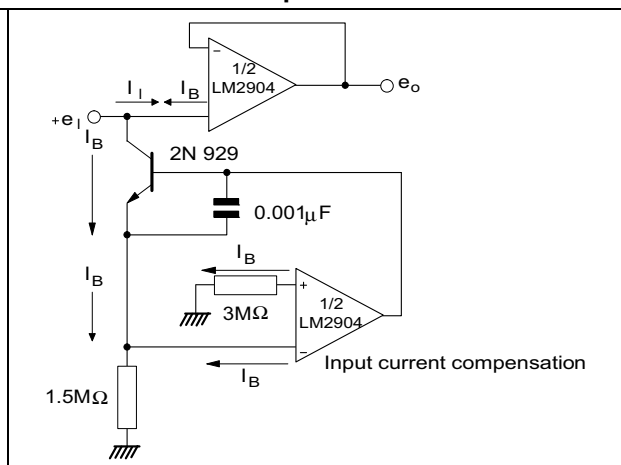


Figure 24. Low drift peak detector

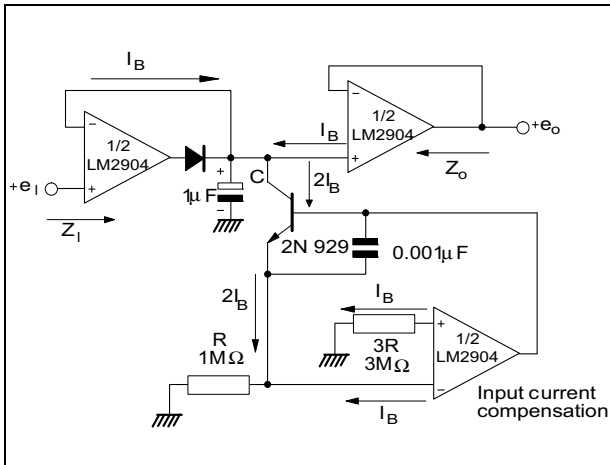
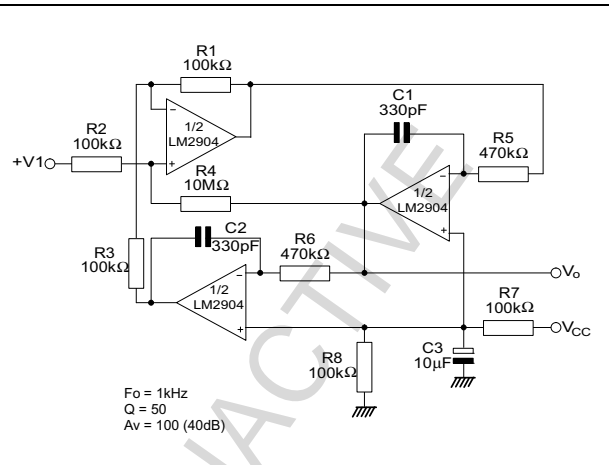


Figure 25. Active bandpass filter



INACTIVE - INACTIVE - INACTIVE

4 Macromodel

4.1 Important note concerning this macromodel

Please consider the following remarks before using these macromodels.

- All models are a trade-off between accuracy and complexity (i.e. simulation time).
- Macromodels are not a substitute to breadboarding; rather, they confirm the validity of a design approach and help to select surrounding component values.
- A macromodel emulates the **nominal** performance of a **typical** device within **specified operating conditions** (for example, temperature, supply voltage). Thus the macromodel is often not as exhaustive as the datasheet, its purpose is to illustrate the main parameters of the product.

Data derived from macromodels used outside of the specified conditions (for example, V_{CC} , temperature) or even worse, outside of the device operating conditions (for example, V_{CC} , V_{icm}), are not reliable in any way.

4.2 Macromodel code

```
** Standard Linear Ics Macromodels, 1993.
** ESD diodes added to the initial macromodel (2007).
** CONNECTIONS :
* 1 INVERTING INPUT
* 2 NON-INVERTING INPUT
* 3 OUTPUT
* 4 POSITIVE POWER SUPPLY
* 5 NEGATIVE POWER SUPPLY
.SUBCKT LM2904W 1 2 3 4 5
*****
.MODEL MDTH D IS=1E-8 KF=3.104131E-15 CJO=10F
D1A 1 4 MDTH 400E-12
D1B 5 1 MDTH 400E-12
D2A 2 4 MDTH 400E-12
D2B 5 2 MDTH 400E-12
* INPUT STAGE
CIP 2 5 1.000000E-12
CIN 1 5 1.000000E-12
EIP 10 5 2 5 1
EIN 16 5 1 5 1
RIP 10 11 2.600000E+01
RIN 15 16 2.600000E+01
RIS 11 15 2.003862E+02
DIP 11 12 MDTH 400E-12
DIN 15 14 MDTH 400E-12
VOFP 12 13 DC 0
VOFN 13 14 DC 0
IPOL 13 5 1.000000E-05
CPS 11 15 3.783376E-09
DINN 17 13 MDTH 400E-12
VIN 17 5 0.000000E+00
```

```
DINR 15 18 MDTH 400E-12
VIP 4 18 2.000000E+00
FCP 4 5 VOFB 3.400000E+01
FCN 5 4 VOFN 3.400000E+01
FIBP 2 5 VOFN 2.000000E-03
FIBN 5 1 VOFB 2.000000E-03
* AMPLIFYING STAGE
FIP 5 19 VOFB 3.600000E+02
FIN 5 19 VOFN 3.600000E+02
RG1 19 5 3.652997E+06
RG2 19 4 3.652997E+06
CC 19 5 6.000000E-09
DOPM 19 22 MDTH 400E-12
DONM 21 19 MDTH 400E-12
HOPM 22 28 VOUT 7.500000E+03
VIPM 28 4 1.500000E+02
HONM 21 27 VOUT 7.500000E+03
VINM 5 27 1.500000E+02
EOUT 26 23 19 5 1
VOUT 23 5 0
ROUT 26 3 20
COUT 3 5 1.000000E-12
DOP 19 25 MDTH 400E-12
VOP 4 25 2.242230E+00
DON 24 19 MDTH 400E-12
VON 24 5 7.922301E-01
.ENDS
```

5 Package information

In order to meet environmental requirements, ST offers these devices in different grades of ECOPACK® packages, depending on their level of environmental compliance. ECOPACK® specifications, grade definitions and product status are available at: www.st.com. ECOPACK® is an ST trademark.

INACTIVE - INACTIVE - INACTIVE - INACTIVE

5.1 DIP8 package information

Figure 26. DIP8 package mechanical drawing

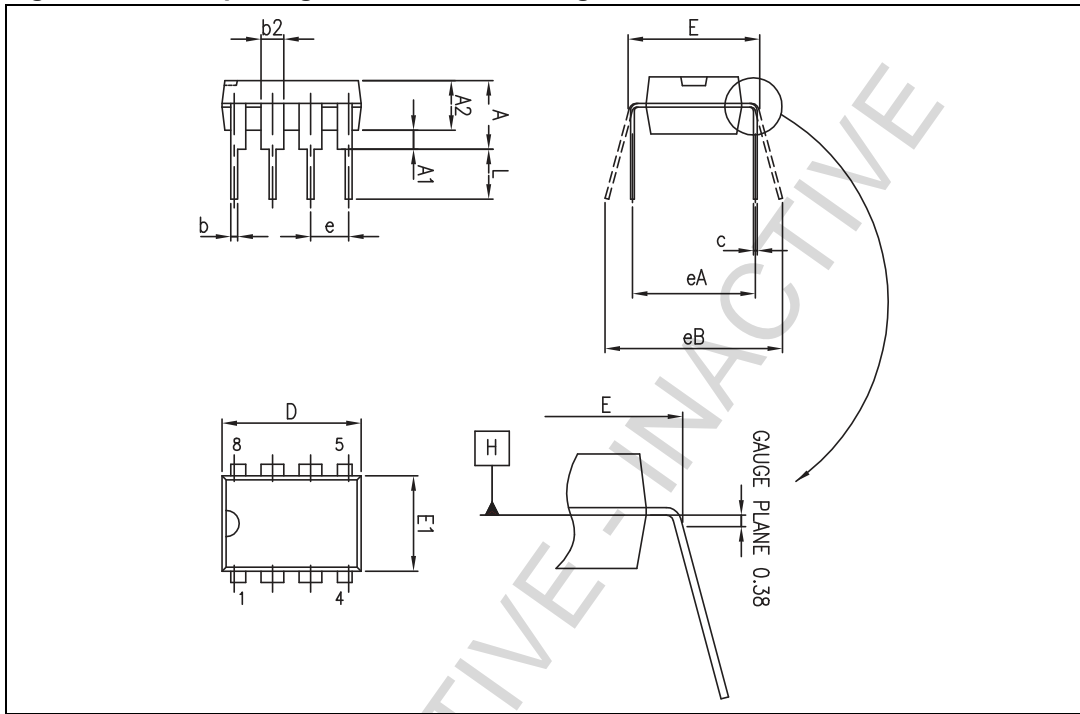


Table 4. DIP8 package mechanical data

Ref.	Dimensions					
	Millimeters			Inches		
	Min.	Typ.	Max.	Min.	Typ.	Max.
A			5.33			0.210
A1	0.38			0.015		
A2	2.92	3.30	4.95	0.115	0.130	0.195
b	0.36	0.46	0.56	0.014	0.018	0.022
b2	1.14	1.52	1.78	0.045	0.060	0.070
c	0.20	0.25	0.36	0.008	0.010	0.014
D	9.02	9.27	10.16	0.355	0.365	0.400
E	7.62	7.87	8.26	0.300	0.310	0.325
E1	6.10	6.35	7.11	0.240	0.250	0.280
e		2.54			0.100	
eA		7.62			0.300	
eB			10.92			0.430
L	2.92	3.30	3.81	0.115	0.130	0.150

5.2 SO-8 package information

Figure 27. SO-8 package mechanical drawing

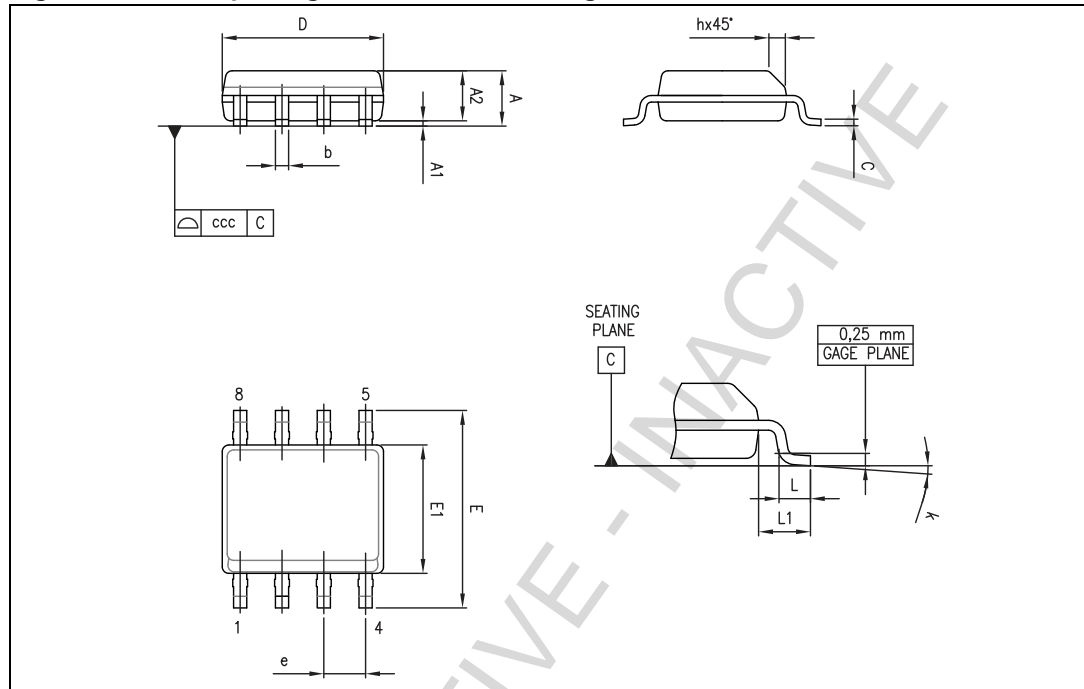


Table 5. SO-8 package mechanical data

Ref.	Dimensions					
	Millimeters			Inches		
	Min.	Typ.	Max.	Min.	Typ.	Max.
A			1.75			0.069
A1	0.10		0.25	0.004		0.010
A2	1.25			0.049		
b	0.28		0.48	0.011		0.019
c	0.17		0.23	0.007		0.010
D	4.80	4.90	5.00	0.189	0.193	0.197
E	5.80	6.00	6.20	0.228	0.236	0.244
E1	3.80	3.90	4.00	0.150	0.154	0.157
e		1.27			0.050	
h	0.25		0.50	0.010		0.020
L	0.40		1.27	0.016		0.050
L1		1.04			0.040	
k	1°		8°	1°		8°
ccc			0.10			0.004

5.3 TSSOP8 package information

Figure 28. TSSOP8 package mechanical drawing

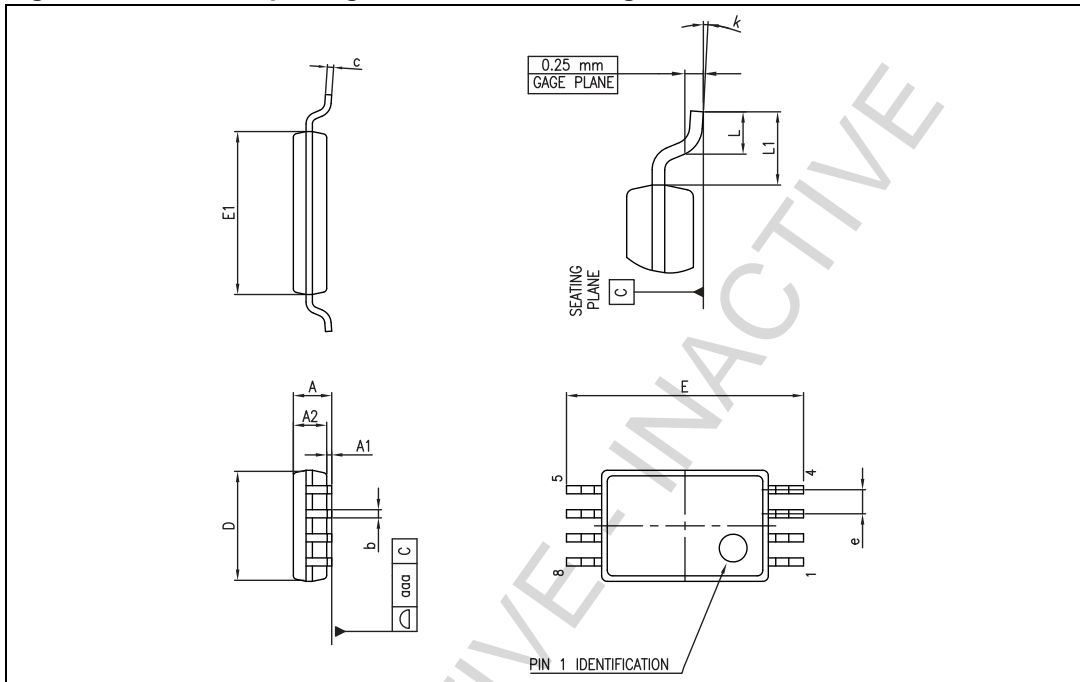


Table 6. TSSOP8 package mechanical data

Ref.	Dimensions					
	Millimeters			Inches		
	Min.	Typ.	Max.	Min.	Typ.	Max.
A			1.20			0.047
A1	0.05		0.15	0.002		0.006
A2	0.80	1.00	1.05	0.031	0.039	0.041
b	0.19		0.30	0.007		0.012
c	0.09		0.20	0.004		0.008
D	2.90	3.00	3.10	0.114	0.118	0.122
E	6.20	6.40	6.60	0.244	0.252	0.260
E1	4.30	4.40	4.50	0.169	0.173	0.177
e		0.65			0.0256	
k	0°		8°	0°		8°
L	0.45	0.60	0.75	0.018	0.024	0.030
L1		1.00			0.039	
aaa			0.10			0.004

6 Ordering information

Table 7. Order codes

Order code	Temperature range	Package	Packing	Marking
LM2904WN	-40°C, +125°C	DIP8	Tube	LM2904W
LM2904WD LM2904WDT		SO-8	Tube or tape & reel	2904W
LM2904WPT		TSSOP8	Tape & reel	2904W
LM2904WYDT ⁽¹⁾		SO-8 (automotive grade level)	Tube or tape & reel	2904WY
LM2904WYPT ⁽²⁾		TSSOP8 (automotive grade level)	Tape & reel	K04WY
LM2904AWYPT				K05WY

1. Qualified and characterized according to AEC Q100 and Q003 or equivalent, advanced screening according to AEC Q001 & Q 002 or equivalent.
2. Qualification and characterization according to AEC Q100 and Q003 or equivalent, advanced screening according to AEC Q001 & Q 002 or equivalent are on-going.

7 Revision history

Table 8. Document revision history

Date	Revision	Changes
1-Sep-2003	1	Initial release.
1-Jul-2005	2	PPAP references inserted in the datasheet see Section 6: Ordering information on page 19 . ESD protection inserted in Table 1: Absolute maximum ratings (AMR) on page 4 .
1-Oct-2005	3	Correction of error in AVD min. value see Table 3 on page 6 .
1-Dec-2005	4	LM2904WYPT PPAP reference added in Section 6: Ordering information on page 19 . Information added in Table 1: Absolute maximum ratings (AMR) on page 4 .
2-May-2006	5	Minimum value of slew rate at 25°C and in temperature added in Table 3 on page 6 .
20-Jul-2007	6	Power dissipation value corrected in Table 1: Absolute maximum ratings (AMR) . ESD tolerance for HBM model improved to 2kV in Table 3 on page 6 . Equivalent input noise voltage parameter added in Table 3 . Electrical characteristics curves updated. Added Figure 17: Phase margin vs capacitive load on page 10 . Section 5: Package information updated. Section 4: Macromodel added.
18-Dec-2007	7	Reformatted electrical characteristics table, Table 3 . Deleted V_{opp} parameter in Table 3 . Corrected footnotes for automotive grade order codes in Table 7 .
21-Feb-2008	8	Corrected SO-8 package mechanical data. Dimension E in drawing was marked H in table. Corrected revision history.
24-Feb-2011	9	Corrected x-axis in Figure 5 .
04-Jul-2012	10	Removed commercial type LM2904WYD. Updated Table 7: Order codes .
12-Feb-2013	11	Added part number LM2904AW. Added "automotive qualification to Features . Table 3: $V_{CC+} = 5\text{ V}$, $V_{CC-} = \text{Ground}$, $V_O = 1.4\text{ V}$, $T_{amb} = 25\text{ }^\circ\text{C}$ (unless otherwise specified) : Updated V_{io} Added order code LM2904AWYPT to Table 7: Order codes

Please Read Carefully:

Information in this document is provided solely in connection with ST products. STMicroelectronics NV and its subsidiaries ("ST") reserve the right to make changes, corrections, modifications or improvements, to this document, and the products and services described herein at any time, without notice.

All ST products are sold pursuant to ST's terms and conditions of sale.

Purchasers are solely responsible for the choice, selection and use of the ST products and services described herein, and ST assumes no liability whatsoever relating to the choice, selection or use of the ST products and services described herein.

No license, express or implied, by estoppel or otherwise, to any intellectual property rights is granted under this document. If any part of this document refers to any third party products or services it shall not be deemed a license grant by ST for the use of such third party products or services, or any intellectual property contained therein or considered as a warranty covering the use in any manner whatsoever of such third party products or services or any intellectual property contained therein.

UNLESS OTHERWISE SET FORTH IN ST'S TERMS AND CONDITIONS OF SALE ST DISCLAIMS ANY EXPRESS OR IMPLIED WARRANTY WITH RESPECT TO THE USE AND/OR SALE OF ST PRODUCTS INCLUDING WITHOUT LIMITATION IMPLIED WARRANTIES OF MERCHANTABILITY, FITNESS FOR A PARTICULAR PURPOSE (AND THEIR EQUIVALENTS UNDER THE LAWS OF ANY JURISDICTION), OR INFRINGEMENT OF ANY PATENT, COPYRIGHT OR OTHER INTELLECTUAL PROPERTY RIGHT.

UNLESS EXPRESSLY APPROVED IN WRITING BY TWO AUTHORIZED ST REPRESENTATIVES, ST PRODUCTS ARE NOT RECOMMENDED, AUTHORIZED OR WARRANTED FOR USE IN MILITARY, AIR CRAFT, SPACE, LIFE SAVING, OR LIFE SUSTAINING APPLICATIONS, NOR IN PRODUCTS OR SYSTEMS WHERE FAILURE OR MALFUNCTION MAY RESULT IN PERSONAL INJURY, DEATH, OR SEVERE PROPERTY OR ENVIRONMENTAL DAMAGE. ST PRODUCTS WHICH ARE NOT SPECIFIED AS "AUTOMOTIVE GRADE" MAY ONLY BE USED IN AUTOMOTIVE APPLICATIONS AT USER'S OWN RISK.

Resale of ST products with provisions different from the statements and/or technical features set forth in this document shall immediately void any warranty granted by ST for the ST product or service described herein and shall not create or extend in any manner whatsoever, any liability of ST.

ST and the ST logo are trademarks or registered trademarks of ST in various countries.

Information in this document supersedes and replaces all information previously supplied.

The ST logo is a registered trademark of STMicroelectronics. All other names are the property of their respective owners.

© 2013 STMicroelectronics - All rights reserved

STMicroelectronics group of companies

Australia - Belgium - Brazil - Canada - China - Czech Republic - Finland - France - Germany - Hong Kong - India - Israel - Italy - Japan - Malaysia - Malta - Morocco - Philippines - Singapore - Spain - Sweden - Switzerland - United Kingdom - United States of America

www.st.com