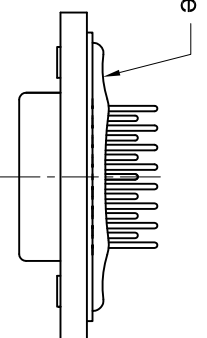
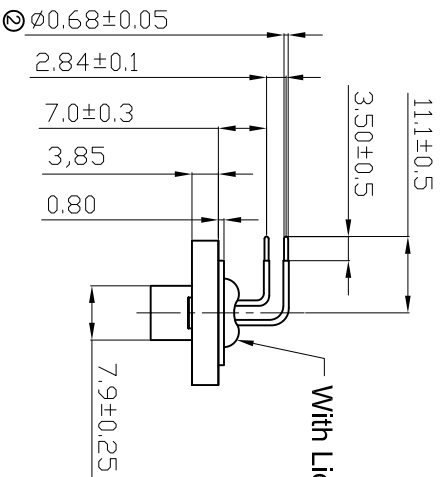
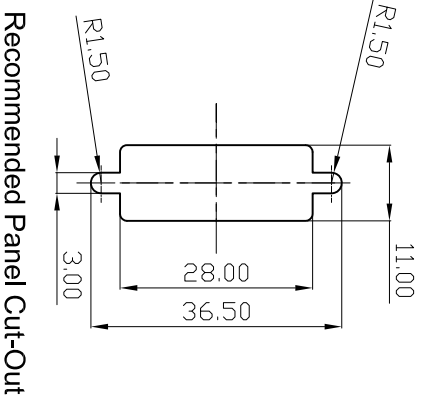


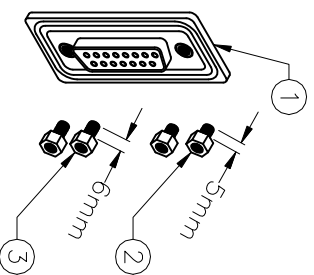
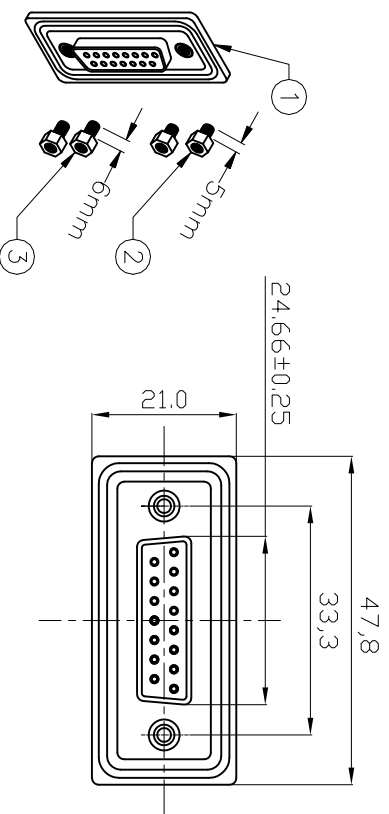
Panel Thickness
Screw L=5.0 For Panel Thickness
Under 1.2mm
Screw L=6.0 For Panel Thickness
Between 1.2-2.0mm



NOTES:

MATERIAL

1. Insulator Material: Black, NYLON+G/F
2. Contact Material : Copper Alloy
3. Plating : Gold Plating
4. Waterproof Rate: IP67
5. Do Mating Test After Glued



15 Pin Female Connector
PCB Pin Layout
Scale 2:1

RoHS compliant

Scale	1:1								
TOLERANCE									
X.X	±0.25								
X.XX	±0.10								
X.XXX	±0.05								
DIM	TOL	②	Cancel LOGO and change dimension	24.01.2018	Tom				
ANGLE	±1°	①	Drawn	24.12.2008	JACK				
X.X°	±X°								
Angle	TOL		Id.		Modification				

Customer-No.					
Date	24.12.2008	Name	JACK		
Date	24.01.2018	Name	Amy		
ASSMANN WSW-No.	ASSMANN WSW-No.				
A-DF 15 AA-WP	A-DF 15 AA-WP				
Drawing-No.	Drawing-No.				
ASS 3251 CO	ASS 3251 CO				
rev02	rev02				
Replace	Replace				
Sheet	Sheet				

1	2	3	4	5	6	7
H	G	F	E	D	C	B