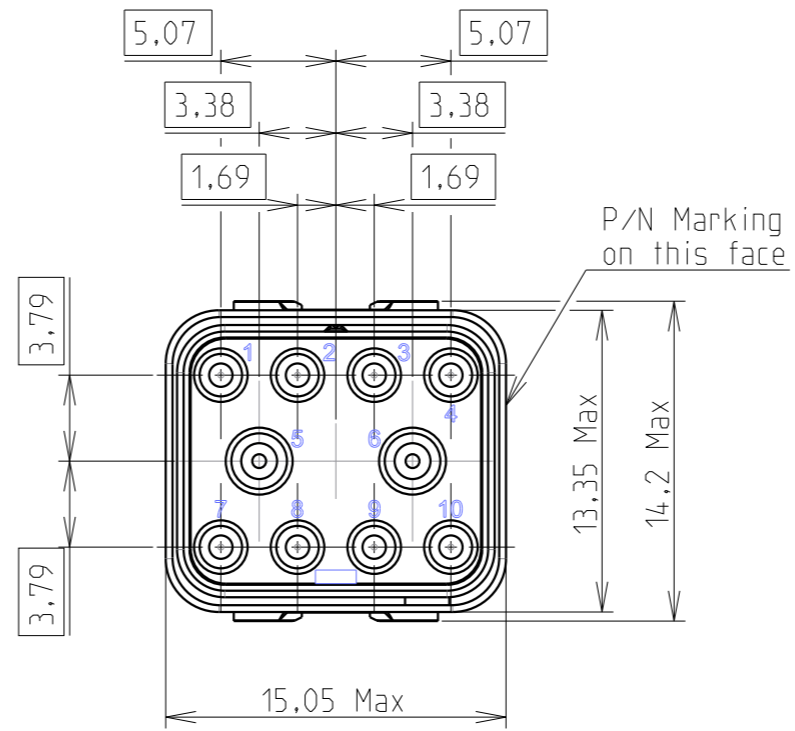
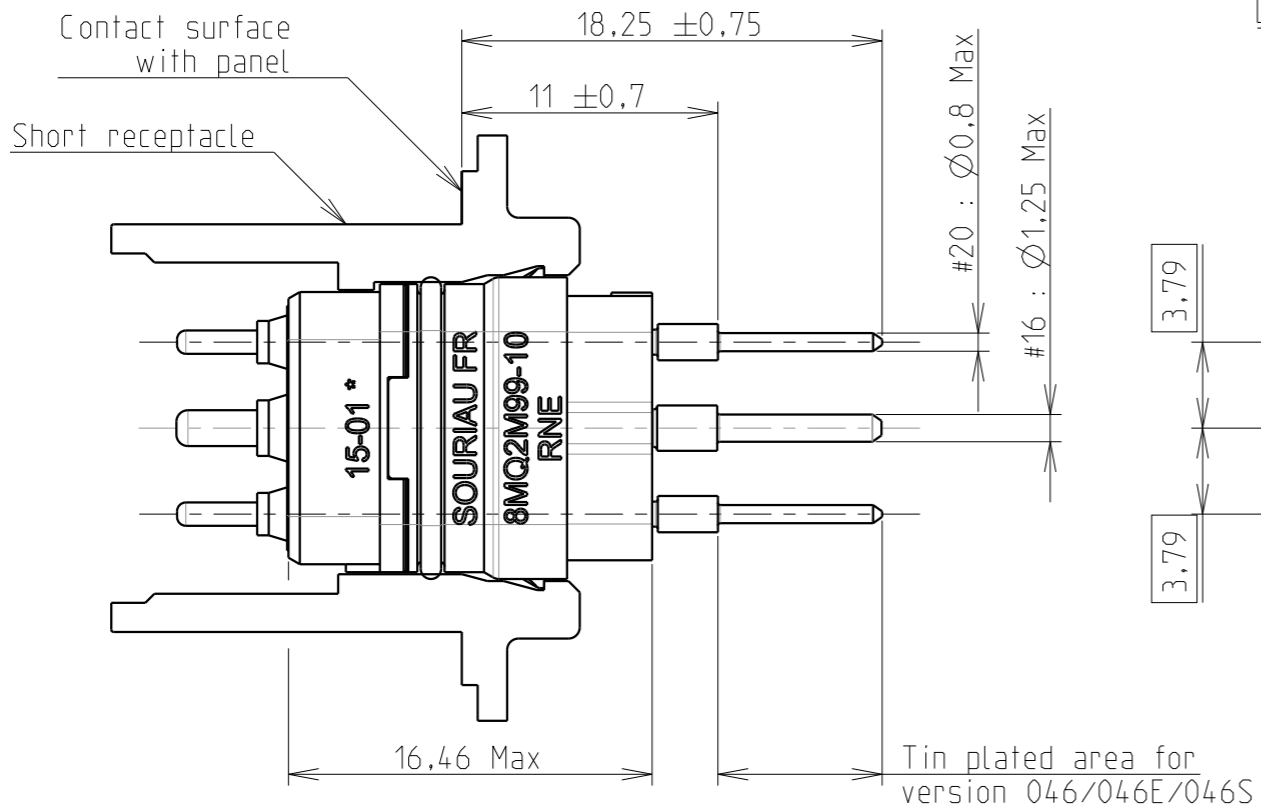
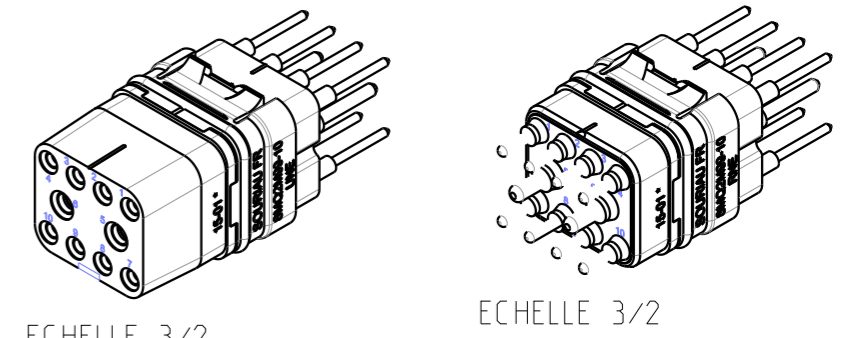


C.2: Validé



MASS ± 5% (g)	
Male module	6.9
Female module	8.55

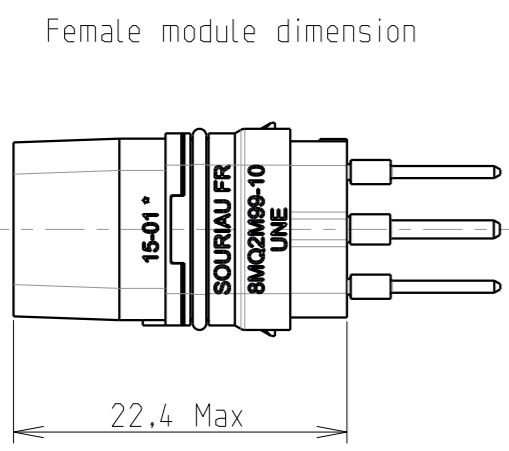


- ### Technical requirements
- 1- According to EN4165
 - 2- Voltage proof test (Sea level) :
 - #16 > 1500 V r.m.s.
 - #20 > 1500 V r.m.s.
 - 3- Insulation resistance > 5000 MΩ
 - 4- Climatic sequence : -55 °C / +175 °C
 - 5- Fluid resistance : See standard EN 4165-001 (table 40)
 - 6- Contact retention in insert :
 - #16 = 110 N
 - #20 = 67 N
 - 7- Materials : Thermoplastic and silicone
 - 8- Delivered with protection cap

Country	Jurisdiction & Control List
FR	NOT LISTED

P/N : SEE TABLE

BASIC SERIE 8MQ 2 M 99-10 R N E S -
 2 = Serie 2
 M = Module
 Layout
 Dash = No grounding
 R = Male module delivered with contacts
 U = Female module delivered with contacts
 N, A, B, C, D = polarization
 None = Without peripheral sealing
 E = With peripheral sealing
 S = Delivered with protection cap
 None = Pin contact : Gold plated, 0.8 μm mini
 046 = Pin contact : Tin plated over gold - SnPb
 046E = Pin contact : Tin plated over gold - Sn100
 046S = Pin contact : Tin plated over gold - SAC305



(other dimensions are available for male and female module)

SOURIAU shall not be liable for any non-conformity or damage due to a use of the Products which does not comply with the Specifications issued by either of the Parties or by a third party (professional recommendation, technical notice.)

ISS	DATE	Update of contact position	23536BH
	04/10/18	--	
		Latest modification - by: H.SIMIER	MOD N°
Designed by: N.AUFFRET		Date: 30/07/17	CUSTOMER DRAWING
TITLE		MODULES WITH STRAIGHT PCB CONTACTS - LAYOUT 99-10 GAMME 8MQ	
Scale	3/1	General linear Tolerances: ± --	NPRDS / PROJECT BE164803A
Esterline Connection Technologies		WWW.SOURIAU.COM	This document is the property of SOURIAU It must not be reproduced or communicated without permission
FORMAT	A3	SOURIAU DRG N° C014-8MQ-A	SHEET 1 / 1