

Mounting Instruction

NEMA NR010 Appliance Outlet

CONTENT

1	GENERAL	1
2	WIRES FOR IDC-CONTACTS.....	1
3	MOUNTING INSTRUCTION WITH THE COVER.....	2
4	DESIGN SUGGESTION FOR A MOUNTING TOOL	3

1 General

- The outer diameter of the wire (including insulation) must not exceed 3.6mm for 12AWG & 3mm for 14AWG wire.
- Use the cover or an assembly tool, to push the wires into the IDC terminals.
- The force required to push the wire into the IDC will depend on the wire used.
- The correct installation of the wires is essential for proper functioning of the NEMA NR010 in the end equipment.

2 Wires for IDC-contacts

3-119-048	1.5-2.5 mm² 12-14 AWG	Insulated solid wire, single core
------------------	---	--

Insulation

For America: According to UL 758

For Europe: According to IEC 60228

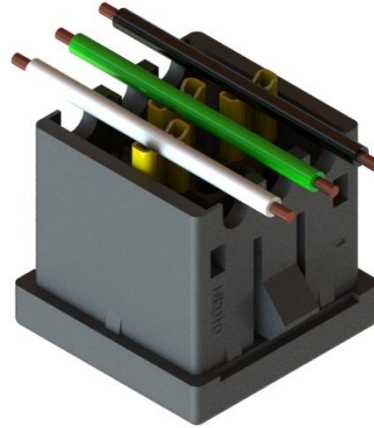
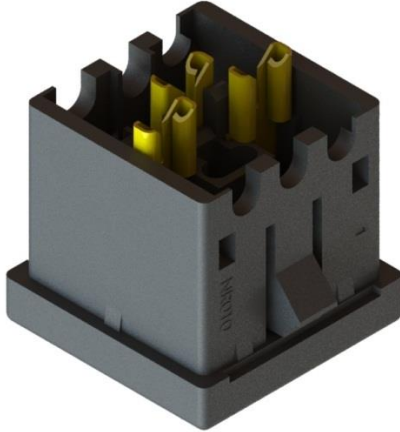
Outer diameter shall not exceed Ø 3.5 mm.

Engineering Documentation					Mounting Instruction NR010 IDC Terminals		
owner	creation date	release date	released by	change order no	rev	page	D10-040-577
lokhanze	24.10.2019	22.09.2020	vettorsa	2020666	A	1 of 3	

3 Mounting instruction with the cover

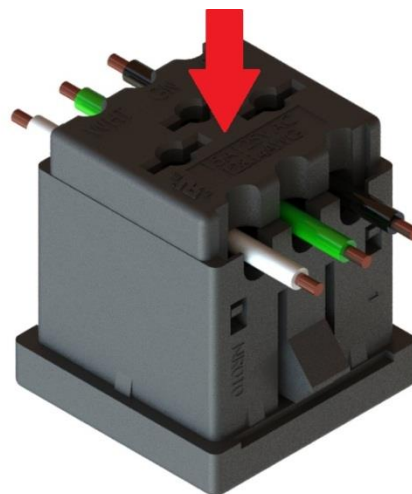
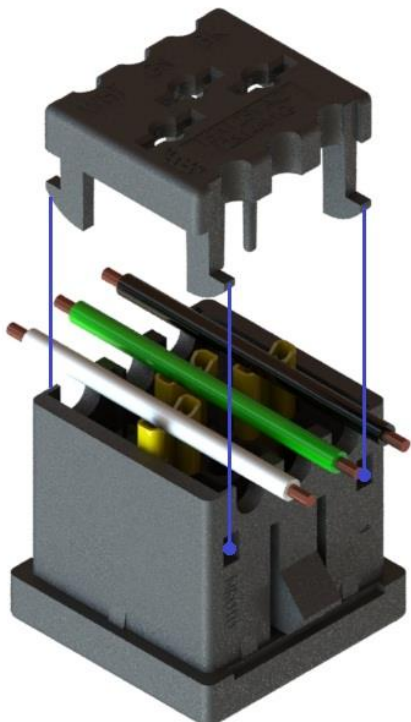
1) IDC contacts must be clean and not twisted.

2 Bring wires in position.



3) Bring the cover in the right position.

4 Use the cover to press the wire down into the IDC contacts. The cover must snap-in with the body.

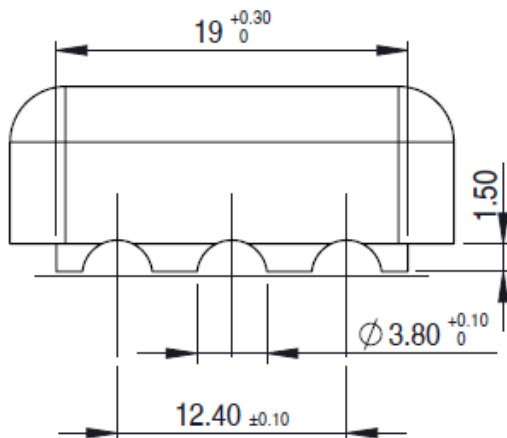
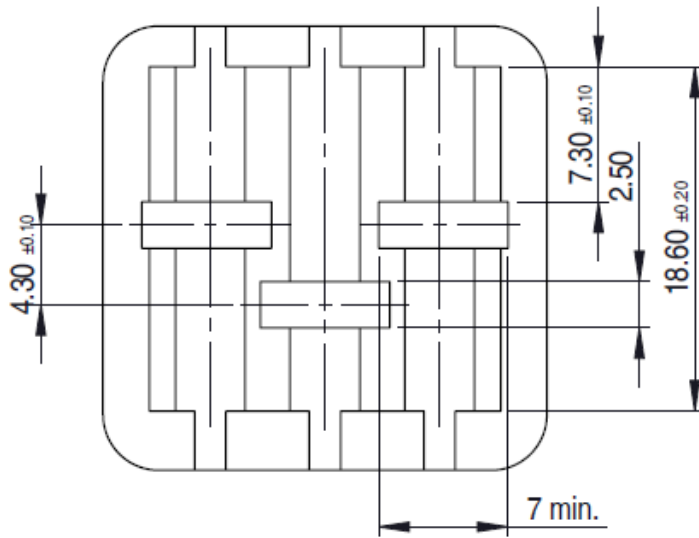


- The assembly force depends on the wires used and may require as much as 900N.
 - For one wire force of 300N is required.
 - Press the wires into the IDC terminals until the wires touch the plastic socket of NR010.
- When using the cover be sure that it is properly mounted.

Engineering Documentation					Mounting Instruction NR010 IDC Terminals		
owner	creation date	release date	released by	change order no	rev	page	D10-040-577
lokhanze	24.10.2019	22.09.2020	vettorsa	2020666	A	2 of 3	

4 DESIGN SUGGESTION FOR A MOUNTING TOOL

- When using an assembly tool we recommend the mentioned dimensions.
- The mounting is similar to the mounting with the cover.



Engineering Documentation					Mounting Instruction NR010 IDC Terminals		
owner	creation date	release date	released by	change order no	rev	page	D10-040-577
lokhanze	24.10.2019	22.09.2020	vettorsa	2020666	A	3 of 3	