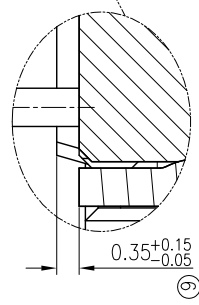
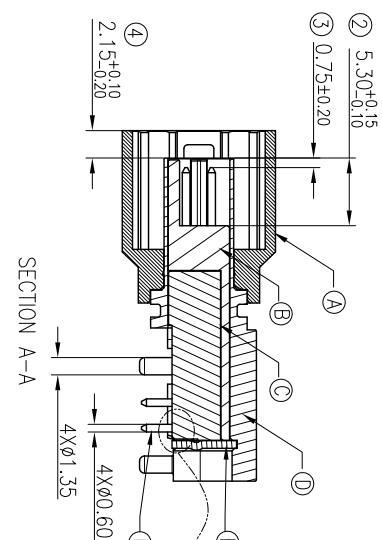
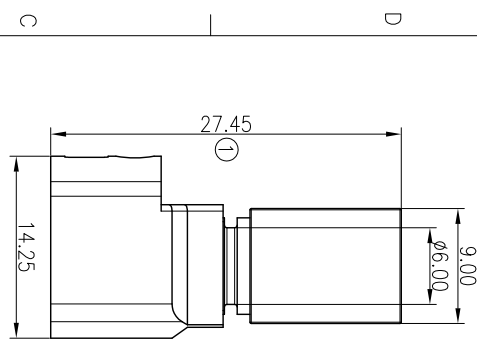
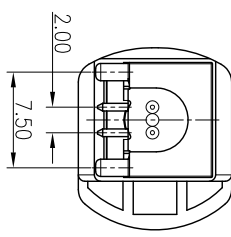
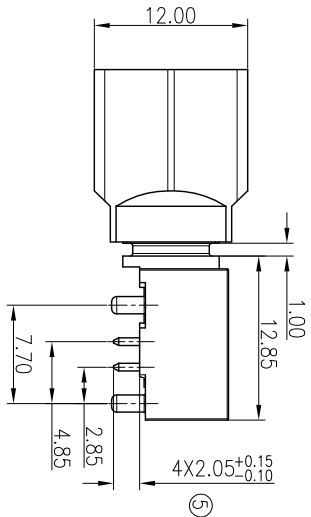
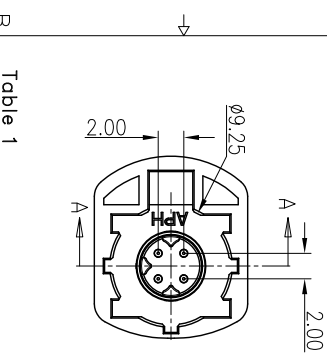
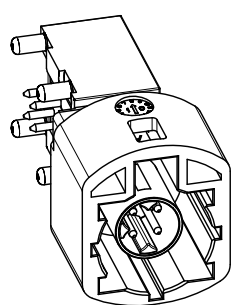


This document is the property of Amphenol Corporation and is intended for the express condition that it is not to be disclosed, reproduced or used, in whole or in part, for manufacture or sale by anyone other than Amphenol Corporation. Any use of this document for other than the intended purpose or to use any information in this document is strictly prohibited.



Scale 5:1



- Notes:
- Material:
 - Ⓐ Housing: High temperature thermoplastic,color see table 1.
 - Ⓑ Dielectric: High temperature thermoplastic,color black.
 - Ⓒ Outer contact : Zinc alloy.
 - Ⓓ Cover: Stainless Steel.
 - Ⓔ Contact: Copper alloy.
 - Finish:
 - Ⓕ Center contact: Gold plated overall.
 - Ⓖ Outer contact : Solderable Ni plated.
 - RoHS compliant.
 - Order P/N system:

HSD-WXRP-PCB-12X

Coding: _____
 See table 1

Packing method:
 A- Packing by tape & reel
 B- Packing by tray
 C- Single Packing

Plug	Coding	Color	Ral
	A	Black	9005
	B	White	9001
	C	Blue	5005
	D	Claret	4004
	E	Green	6002
	F	Brown	8011
	Z	Waterblue	5021

Plug	Coding	Color	Ral
	G	Grey	7031
	H	Violet	4003
	J	Beige	1001
	K	Curry	1027
	L	Yellow green	6018
	M	Pastel orange	2003
	O	Light green	6027



MANUFACTURE DRAWING

Amphenol

UNLESS OTHERWISE SPECIFIED		APPROVAL		DATE	
TOLERANCES	U.S.	DRAWN	Kedai Yang	01/15/13	
	METRIC	CHECKED	Dam He	01/15/13	
X +/-	0.50	DRAWING FILE			
.XX +/-	0.25	HSD R/A LOWER PROFILE PLUG CONNECTOR			
.XXX +/-	0.20	WEST LOCATION			
FRACTIONS +/-	5'	ANGLE OF PROJECTION			
ANGLES +/-		REMOVE SHARP EDGES			
SEE NOTES		DIMENSIONS			
FOR MATERIALS AND FINISHES		U.S. INCHES			
		METRIC MM			
TITLE		SIZE	A4	DRAWING NO.	M HSD-WXRP-PCB-12X
		SCALE	1:1	SHEET	1 OF 1
		REV.			B

REVISIONS				
SYM	ECN	DESCRIPTION	DATE	APPROVED
A	HK7019	RELEASE TO MANUFACTURE	12/10/13	IP
B	HK7032	ADD A DIMENSION FOR LID(6#)	01/15/14	IP