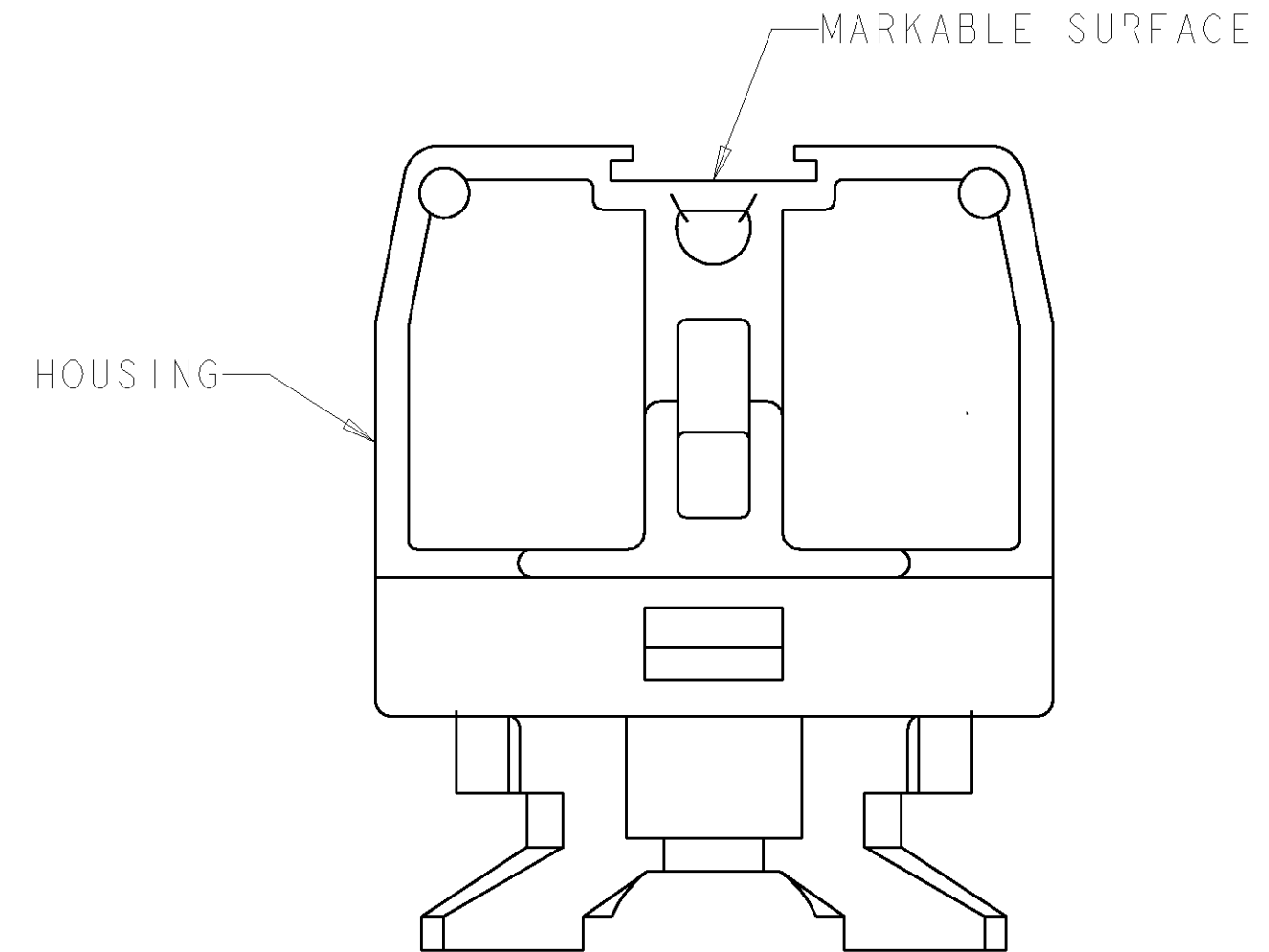
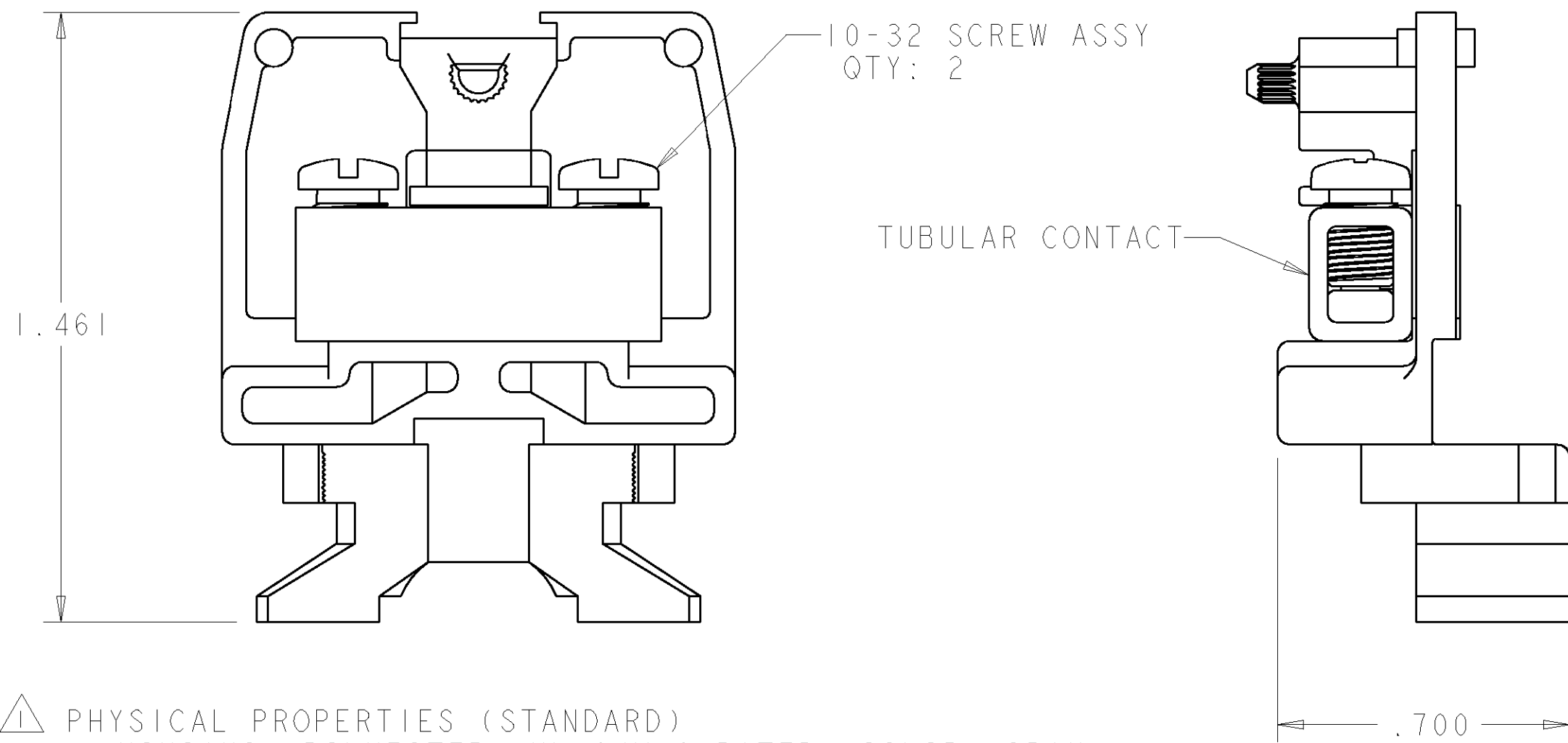
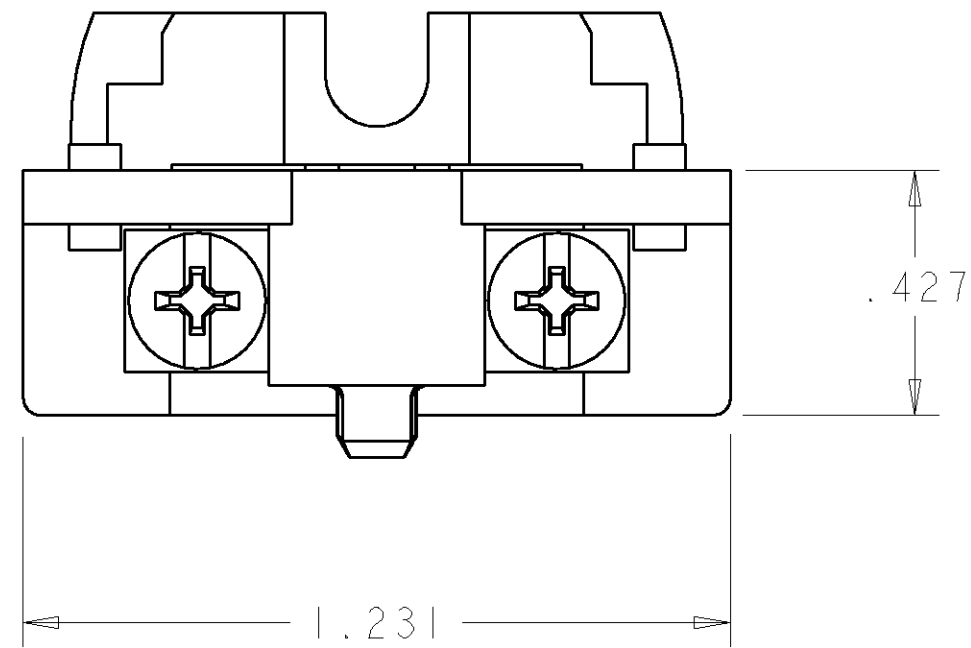


THIS DRAWING IS UNPUBLISHED. RELEASED FOR PUBLICATION 20
 © COPYRIGHT 20 BY TYCO ELECTRONICS CORPORATION. ALL RIGHTS RESERVED.

LOC	DIST	REVISIONS					
		F	LTR	DESCRIPTION	DATE	DWN	APVD
	0	F		DRAWING REV UPDATED TO MATCH PART REVISION	23FEB2015	NV	PS



1 PHYSICAL PROPERTIES (STANDARD)
 HOUSING: POLYESTER, UL 94V-0 RATED, COLOR: GRAY.
 TUBULAR CONTACT: COPPER ALLOY, ZINC PLATED.
 SCREW ASSY - SCREW: STEEL, ZINC PLATED CLEAR CHROMATE.
 CUP CLAMP: COPPER ALLOY, UNPLATED.

2 PHYSICAL PROPERTIES (DURAMAX)
 HOUSING: POLYESTER, UL 94V-0 RATED, COLOR: GRAY.
 TUBULAR CONTACT: COPPER ALLOY, NICKEL PLATED.
 SCREW ASSY - SCREW: STEEL, NICKEL PLATED.
 CUP CLAMP: COPPER ALLOY, NICKEL PLATED

3. MECHANICAL
 PITCH: .375
 MOUNTING: STANDARD CHANNEL AND CLAMP.
 OPERATING TEMPERATURE: 150°C MAX.
 TORQUE: RECOMMENDED TIGHTENING TORQUE IS 8 IN-LBS.

4. ELECTRICAL
 MAXIMUM CURRENT: 30A
 OPERATING VOLTAGE: 600 V
 WIRE RANGE: 10-22 AWG.

5 SEE RESTRICTED CUSTOMER DRAWING 4-1437394-6.

-	4-1437394-6	5
2	1546235-2	
1	1546235-1	
MATERIAL / FINISH	PART NUMBER	

THIS DRAWING IS A CONTROLLED DOCUMENT FOR TYCO ELECTRONICS CORPORATION IT IS SUBJECT TO CHANGE AND THE CONTROLLING ENGINEERING ORGANIZATION SHOULD BE CONTACTED FOR THE LATEST REVISION.		DWN S. WELDON 15 JAN 2002	15 JAN 2002		TE Connectivity NAME ASSEMBLY, TERMINAL BLOCK, NEMA, DOVETAIL BASE, MEDIUM DUTY, TUBULAR CLAMP
DIMENSIONS: INCHES		CHK S. YODER 15 JAN 2002	15 JAN 2002		
TOLERANCES UNLESS OTHERWISE SPECIFIED: 0 PLC ± 1 PLC ±0.0 2 PLC ±0.00 3 PLC ±0.010 4 PLC ±0.0000 ANGLES ±		APVD S. YODER 15 JAN 2002	15 JAN 2002		
MATERIAL SEE TABLE		FINISH SEE TABLE	PRODUCT SPEC - APPLICATION SPEC -		
MATERIAL / FINISH		WEIGHT -	SIZE A2	CAGE CODE 00779	DRAWING NO 1546235
CUSTOMER DRAWING		SCALE 3:1		SHEET 1 OF 1	REV F