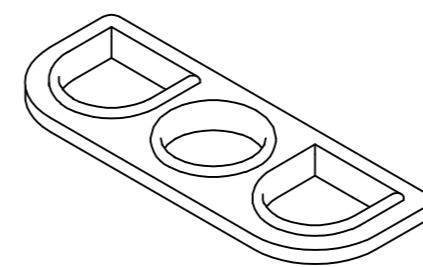
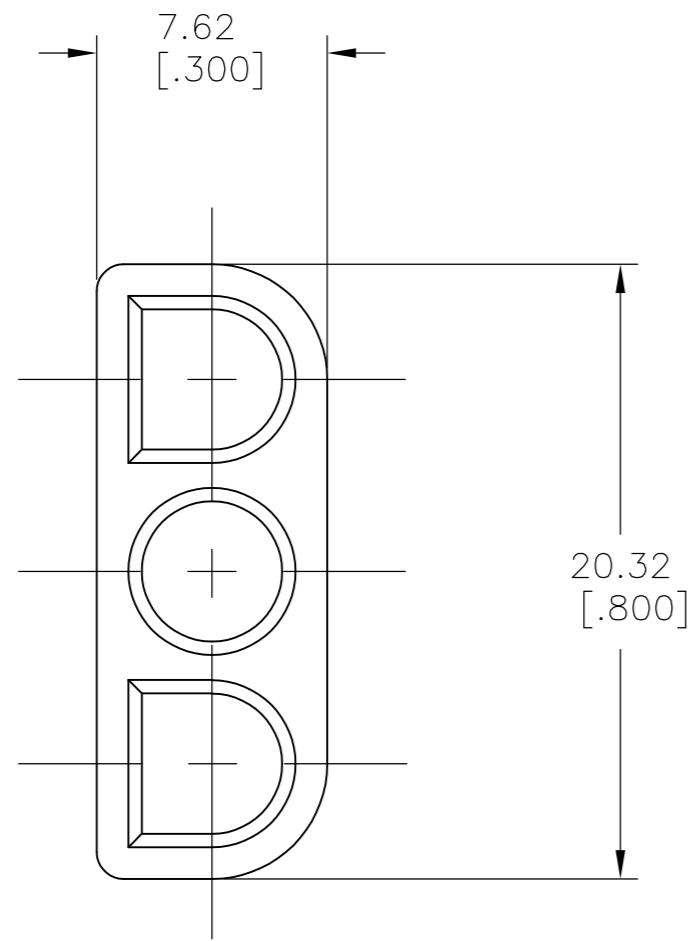


THIS DRAWING IS UNPUBLISHED. RELEASED FOR PUBLICATION
 © COPYRIGHT - By - ALL RIGHTS RESERVED.

LOC		DIST		REVISIONS			
P	LTR	DESCRIPTION		DATE	DWN	APVD	
		C		REVISED PER ECR-12-011218	08OCT12	KH	TM

- 1 MATERIAL: SELF LUBRICATING SILICON RUBBER
COLOR: BLUE
- 2 DIMENSIONS IN BRACKETS ARE IN INCHES.



3-DIMENSIONAL MODEL NTS

794271-1
PART NUMBER

THIS DRAWING IS A CONTROLLED DOCUMENT.		DWN	B. LEWIS	3-25-97	 TE Connectivity	
DIMENSIONS:		CHK	R. SWING	3-25-97		
mm [INCHES]		APVD	D. SELF	3-25-97		
TOLERANCES UNLESS OTHERWISE SPECIFIED:		PRODUCT SPEC				
0 PLC	± -	APPLICATION SPEC			NAME	INTERFACE SEAL,3 CIRCUIT, UNIVERSAL MATE-N-LOK™
1 PLC	± -				SIZE	A2
2 PLC	± 0.38[.015]				CAGE CODE	00779
3 PLC	± -				DRAWING NO	C=794271
4 PLC	± -				RESTRICTED TO	-
ANGLES	± 0°30'					
MATERIAL	1	FINISH	-		SCALE	4:1
					SHEET	1 of 1
CUSTOMER DRAWING					REV	C