

SJ019165-E

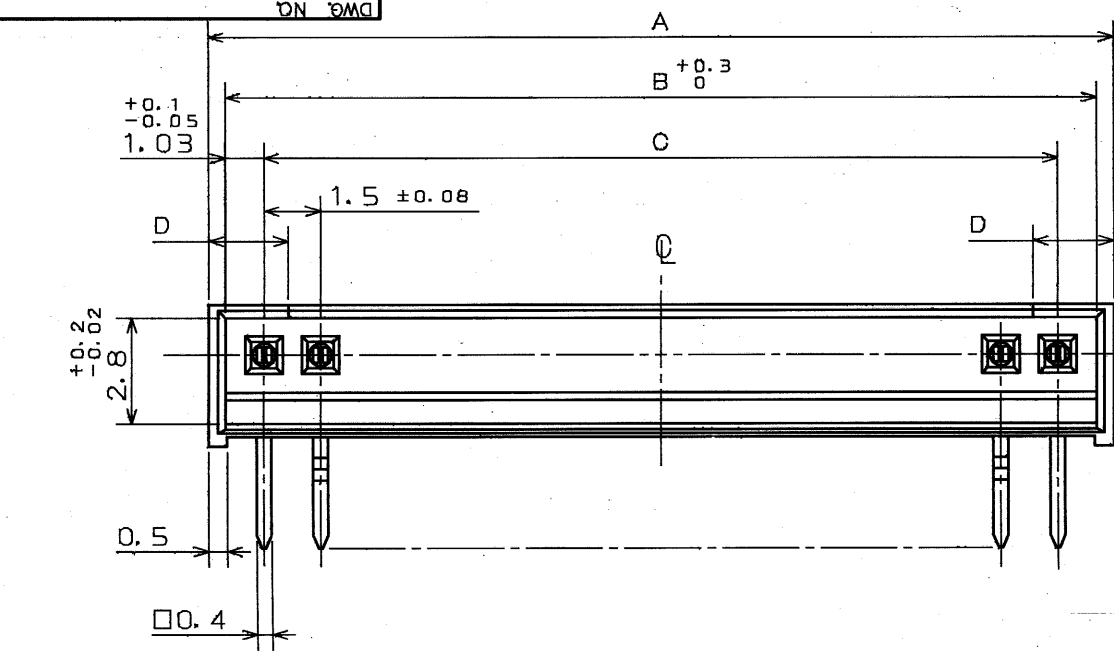


FIGURE 1.
POSITIONS OF FORMED CONTACT TAILS

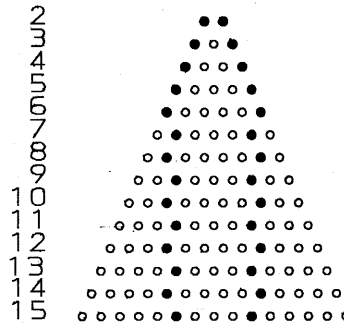
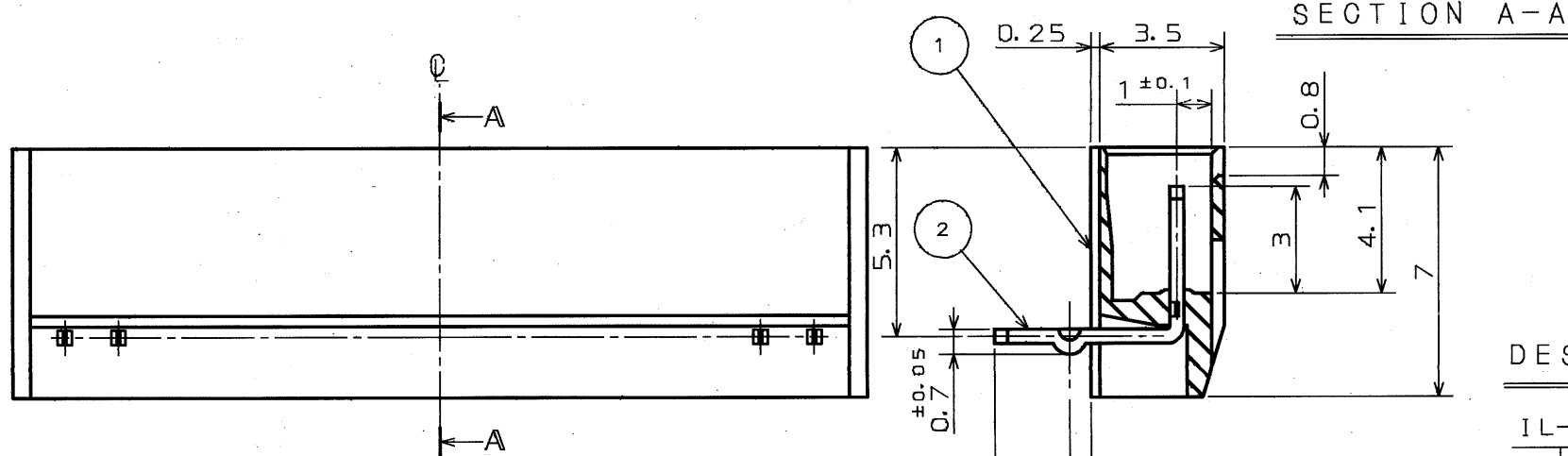


TABLE 1

No. OF CONTACT	A ^{+0.3} / ₀	B ^{+0.3} / ₀	C	D
2	4.45	3.55	1.5	1.38
3	5.95	5.05	3.0	2.13
4	7.45	6.55	4.5	↑
5	8.95	8.05	6.0	
6	10.45	9.55	7.5	
7	11.95	11.05	9.0	
8	13.45	12.55	10.5	
9	14.95	14.05	12.0	
10	16.45	15.55	13.5	
11	17.95	17.05	15.0	
12	19.45	18.55	16.5	
13	20.95	20.05	18.0	
14	22.45	21.55	19.5	↓
15	23.95	23.05	21.0	2.13



DESIGNATION

IL-Y-**-P-S 15 L 2 - E F - *

NO DESIGNATION: LIGHT BROWN
W: WHITE, B: BLACK
R: RED, G: GREEN
COLOR OF INSULATOR

FORMED TAIL (SEE NOTE 2)

TAIL LENGTH E: 2.7mm

APPLICABLE P.C.B THICKNESS 2: 0.8~1.6mm

TAIL FORM L: ANGLE THROUGH HOLE

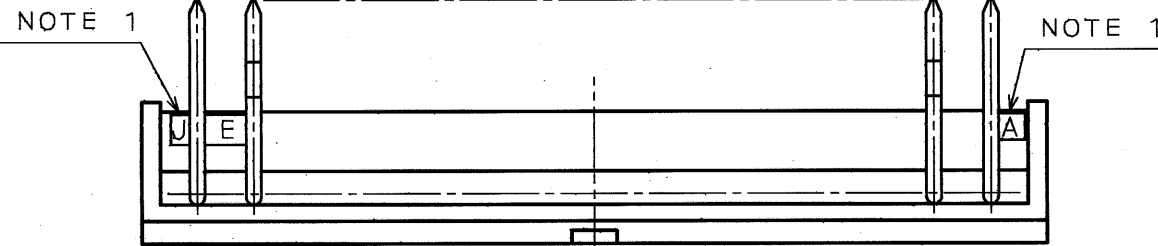
PITCH (1.5mm)

SERIES PREFIX

NO. OF CONTACT

CONTACT TYPE P: PIN CONTACT

CONTACT ROW S: SINGLE



NOTE 1. COMPANY LOGO AND TOOL MARK APPEAR IN RELIEF.

2. FORMED CONTACT TAILS FOR FIXING PIN HEADER ARE PROVIDED ON POSITIONS OF BLACK DOTS AS SHOWN IN THE FIGURE 1. APPLICABLE P.C.B HOLE DIAMETER IS 0.7 ± 0.03 mm.

DIMENSIONS ARE IN MILLIMETERS
TOLERANCES ON: (INCHES)

DIMENSION	ANGLES
. ± 0.8	X° ±
.X ± 0.4	X°X' ±
.XX ± 0.2	CONCENTRICITY
.XXX ±	WITHIN T.I.R.

ITEM	DESCRIPTION	Q'TY	MATERIAL	FINISH	REMARKS
2	CONTACT	TABLE 1	BRASS	TIN OVER NICKEL	
1	INSULATOR	1	6-6NY		UL 94V-0
REFERENCE DOCUMENT		DATE	SCALE	JAE CONNECTOR.COM	
		15. DEC ' 88	5/1	Reference Only	
MATERIAL		DRAWN	TITLE		
		CHECKED	IL-Y-**-P-S 15 L 2 - E F		
TREATMENT		APP'D	SERIES		
		APP'D	IL-Y		
FINISH		MUSASHINO, AKISHIMA-SHI TOKYO, JAPAN			
		DWG. NO.			
		SJ019165-E			