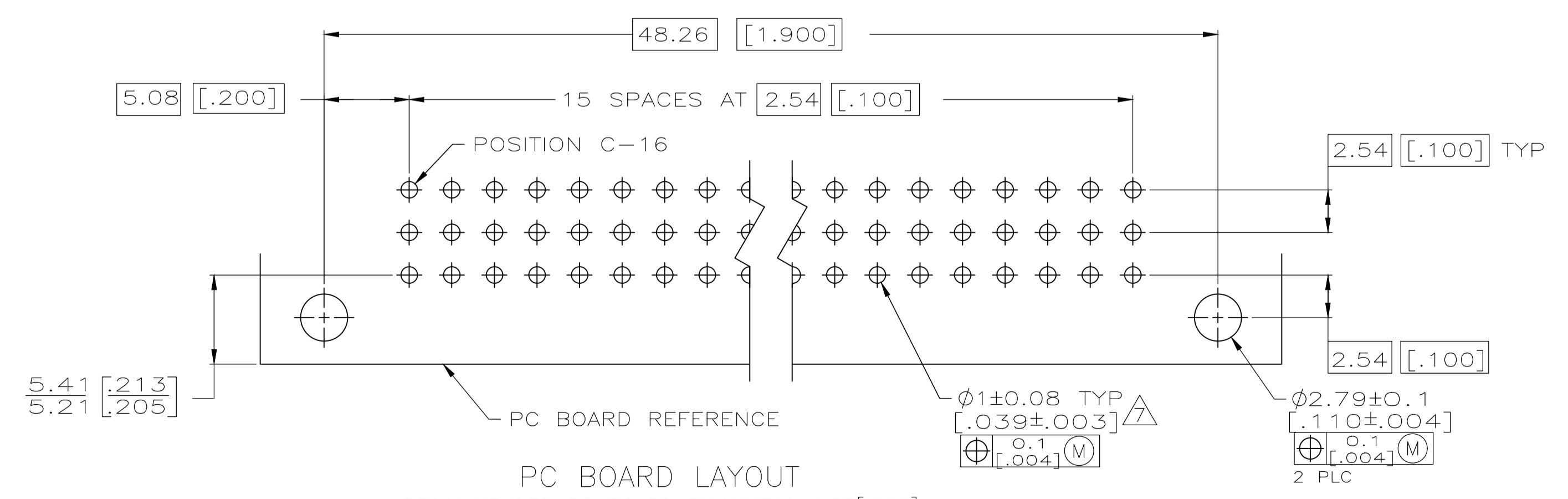
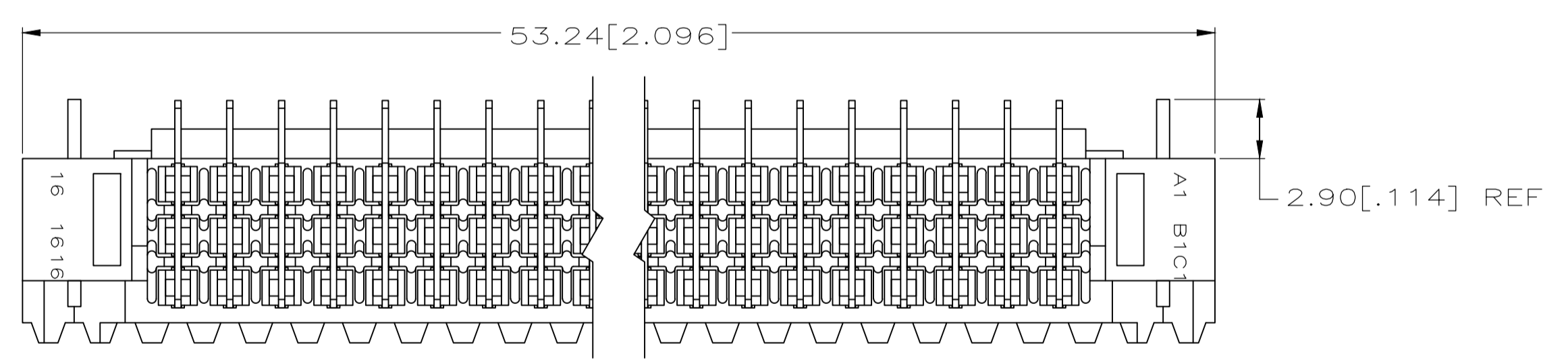
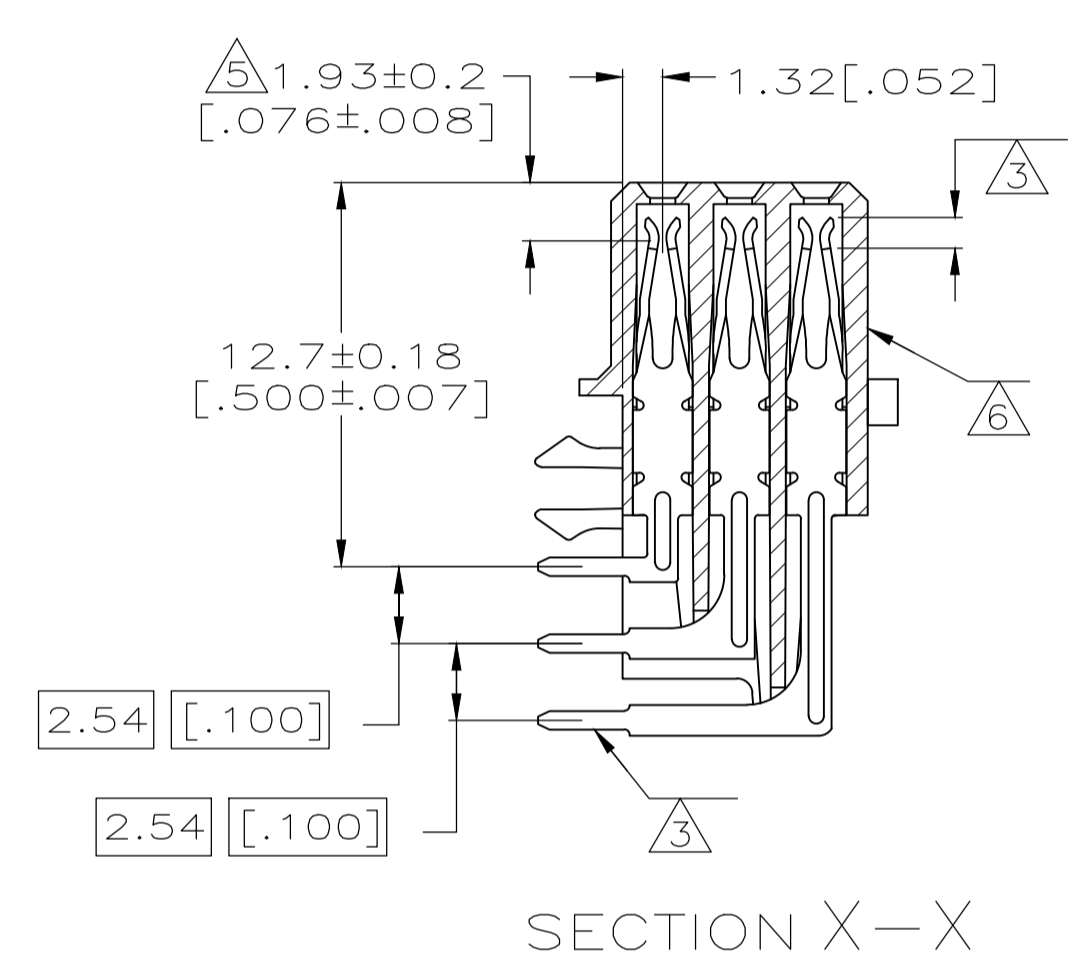
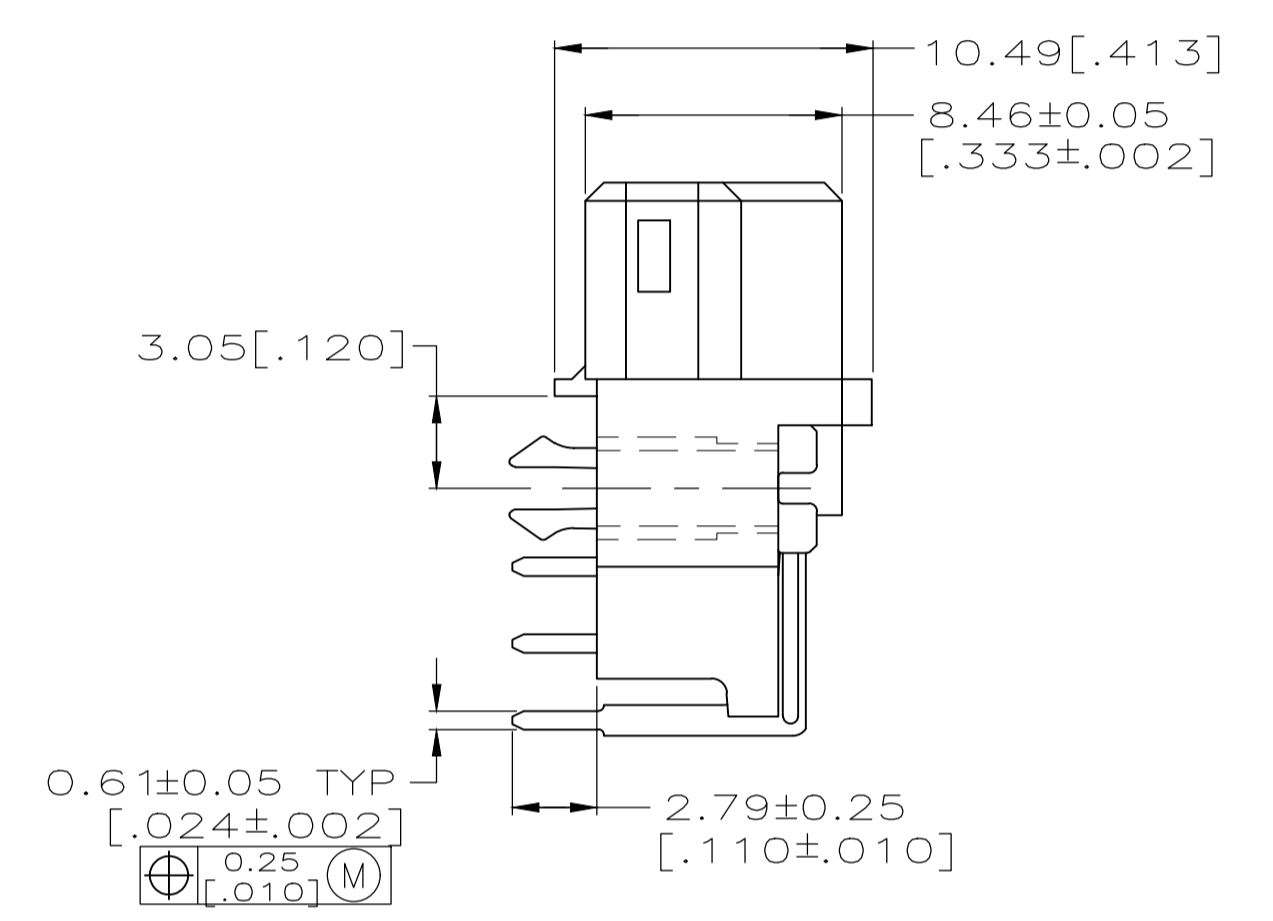
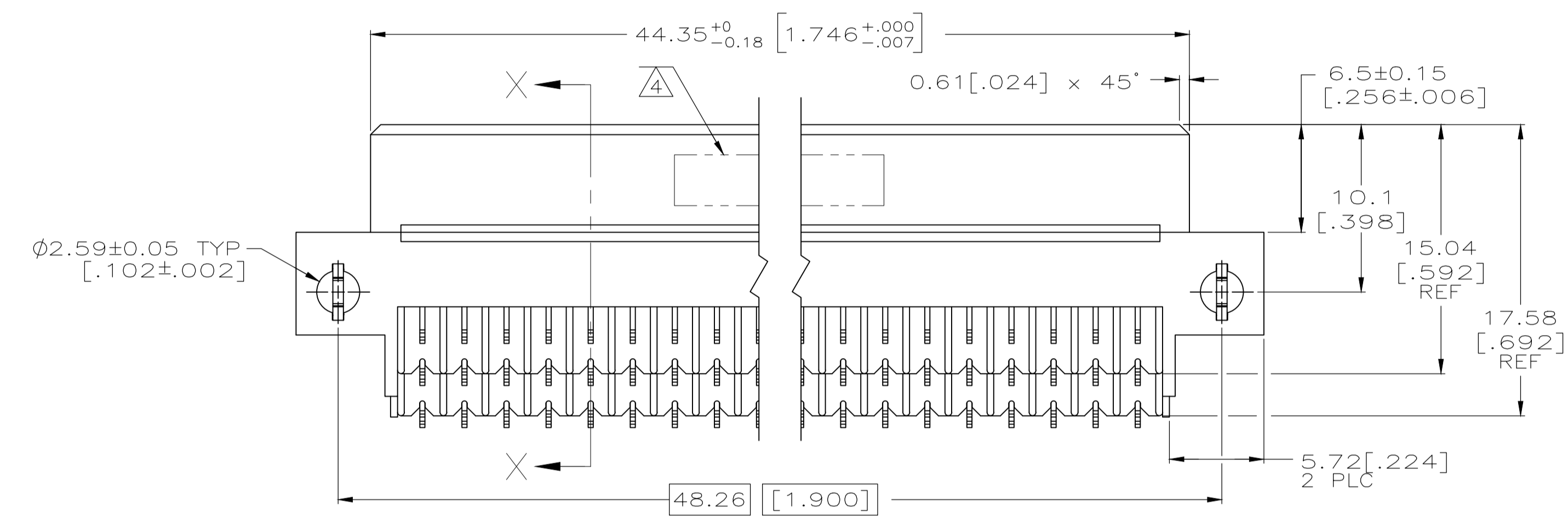
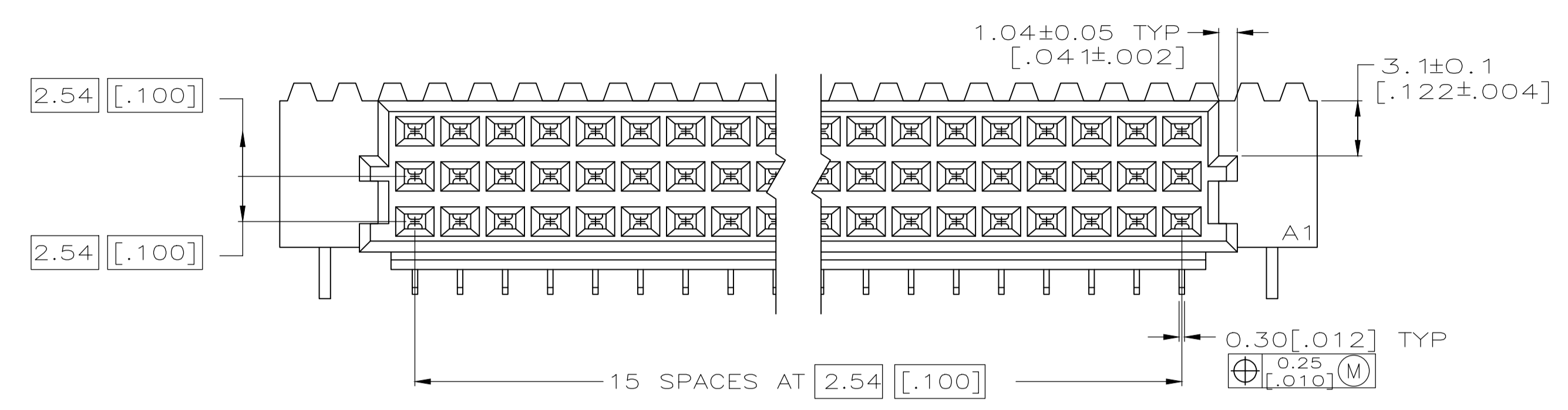


REVISIONS				
P	LTR	DESCRIPTION	DATE	APP'D
A		REVISE PER ECO-20-009607	09JUL20	RZ HL

- ① HOUSING MATERIAL: GLASS-FILLED POLYMER.
- ② CONTACT MATERIAL: COPPER ALLOY.
- ③ POST FINISH: DIN 41612 CLASS 2 IN CONTACT AREA. TIN PLATE ON POSTS.
- ④ PART NUMBER, DATE CODE IDENTIFICATION, CSA LOGO, THIS APPROXIMATE AREA.
- ⑤ CONTACT POINT.
- ⑥ MARKING ON THIS SIDE.
- △ RECOMMENDED HOLE SIZE FOR MANUAL APPLICATION OF CONNECTOR ONTO PC BOARD.



PC BOARD LAYOUT
RECOMMENDED PC BOARD THICKNESS 1.57 [.062]

POSITIONS LOADED	C	B	A	NO. OF LOADED POSITIONS	PART NUMBER
1-16	X	X	X	48	5650893-5
1-16	X	X	X	48	5650893-4

THIS DRAWING IS A CONTROLLED DOCUMENT.

DIMENSIONS: mm [INCHES]	TOLERANCES UNLESS OTHERWISE SPECIFIED:	DIN J. POLIGNONE 03JUN05 CHK A. SHARPE 03JUN05 APVD A. SHARPE 03JUN05	NAME ASSY_REC, EUROCARD,TYPE 1/2R LEAD-FREE,48 POS,2.79 SOLDER POSTS WITH BOARD-LOCKS
0 PLC ± - 1 PLC ± - 2 PLC ± 0.13 [.005] 3 PLC ± - 4 PLC ± - ANGLES ± -	0.1 [.004] (M) 0.1 [.004] (M)	APPLICATION SPEC	SIZE CAGE CODE DRAWING NO A1 00779 C=5650893
MATERIAL	FINISH	WEIGHT 0.000000	RESTRICTED TO
① ②	③	CUSTOMER DRAWING	SCALE 4:1 SHEET 1 OF 1 REV A