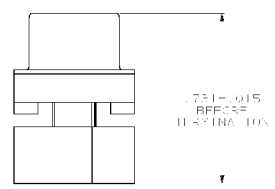
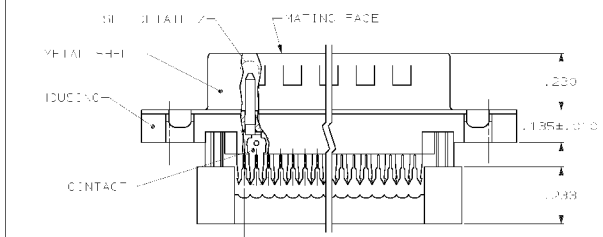
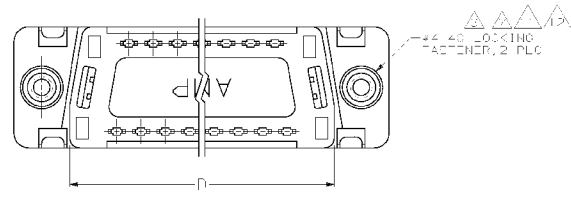


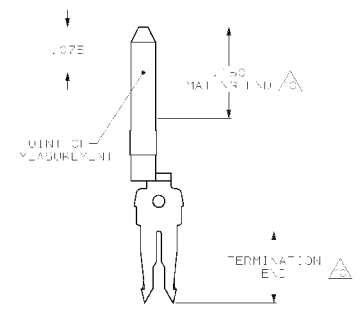
TERMINATION VIEW  
W/COVER ASSEMBLED



A SPACING AT .010 STRAIN RELIEF  
SPACING = B



- CONNECTOR TO COMPLY WITH AND EXCEED 100, 40, 012 AND HATE WITH ANY OTHER REQUIREMENTS OF CONTACT CONNECTION ASSEMBLY.
- CONNECTOR HAS BEEN DESIGNED FOR 28 AWG OR 26 AWG RIBBON CABLE AND 50 OHM CONDUCTOR RIBBON CABLE ON .0500.
- FASTENERS WILL WITHSTAND 6 IN. LBS. TORQUE AND DO NOT FULLY CUT UNDER 1.000 PA. NO TAP SHOULD BE USED.
- VOIDED PARTS: 1. RAISED CAVITY IDENTIFICATION (SEE POSITION 5-08-03).
- SHELL: STEEL PER QQ-B-888.
- CONTACTS: PHOSPHOR BRONZE PER QQ-B-750.
- FASTENERS: BRASS PER QQ-B-888.
- SOLDER: ALUMINUM BRONZE PER QQ-C-201, 13 MIL MIN DIA. NO PLATING REQUIRED, NICKEL PLATING PER QQ-N-290.
- SHELL: BRIGHT TIN PLATED.
- CONTACTS: .000030 GOLD ON MATING END, .000100 .000200 BRIG. TIN LEAD ON TERMINATION END, .000100 .000200 NICKEL ON TERMINATION END.
- LOCKING FASTENER IS COLOR CODED TO IDENTIFY SELF-LOCKING FEATURE.
- LOCKING FEATURE PROVIDES A RESISTIVE TORQUE OF 10 TO 60 IN-02, USING A #40 GAUGE SCREW.



1.016	1.581	1.749	1.866	1.900	B	8	743852-7	
1.540	1.754	1.912	1.987	1.991	17	15	743852-3	
1.950	2.030	2.052	1.628	1.534	1.200	24	25	743852-2
2.950	2.740	2.530	2.075	2.183	1.850	36	37	743852-1

<p>DESCRIPTION: AMP CONDUCTOR RIBBON CABLE CONNECTOR</p> <p>DATE: 02/16/10</p> <p>REV: 02</p>	<p>REV: 02</p> <p>DATE: 02/16/10</p> <p>REV: 02</p>	<p>AMP</p> <p>AMP Incorporated</p> <p>1000 W. ...</p>	<p>AMP</p> <p>CONDUCTOR RIBBON CABLE CONNECTOR</p> <p>24-40 LOCKING FASTENER</p>
---	---	---	--