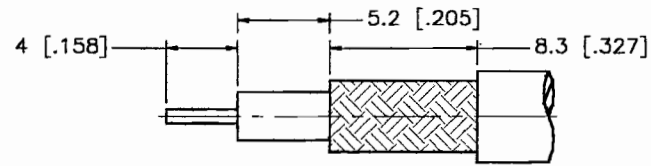
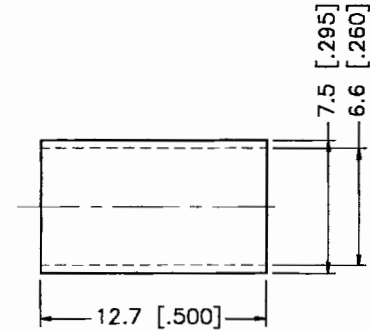
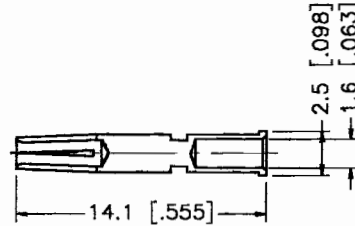
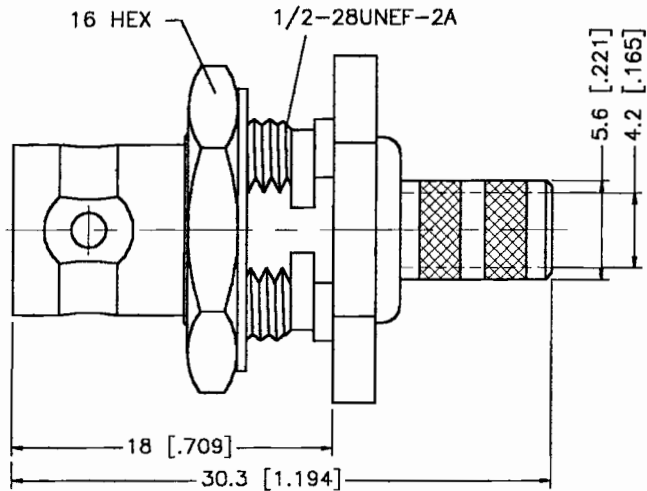
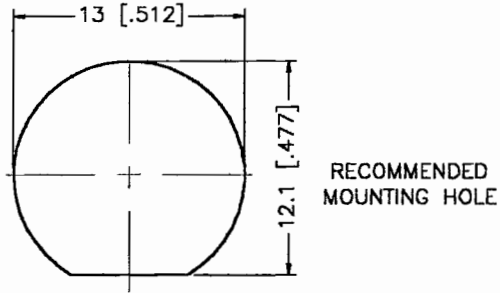


REV.	DATE	DESCRIPTION
NC	08/18/98	INITIAL RELEASE



RECOMMENDED CABLE STRIPPING DIM'S

DESCRIPTION	MATERIAL	FINISH	UNLESS OTHERWISE SPECIFIED DIMENSIONS ARE IN MILLIMETERS	APPROVALS	DATE							
1 BODY	BRASS	NICKEL	DIMENSIONS IN [ ] ARE IN INCHES FOR CUSTOMER REFERENCE ONLY	DRAWN	G.R.S.					08/18/98	TITLE BNC BULKHEAD JACK - LMR 240	
2 INSULATOR	TEFLON	NATURAL		UNLESS OTHERWISE SPECIFIED TOLERANCES FOR MILLIMETERS ARE: 0.5-6 = ± 0.2 6-30 = ± 0.4 30-120 = ± 0.6 120-315 = ± 1 315-1000 = ± 1.6 1000-2000 = ± 2.4	CHECKED			SIZE	FSCM NO.	DWG. NO.		
3 CONTACT PIN	PHOS. BRONZE	GOLD			ISSUED			A	99001	112602.DWG	NC	
4 FERRULE	COPPER	NICKEL	DO NOT SCALE DRAWING				SCALE	NA	PART NO.	112602	SHEET	1 OF 1