

THE INFORMATION CONTAINED HEREIN IS CONSIDERED "PROPRIETARY" TO BEL FUSE INC. AND SHALL NOT BE COPIED, REPRODUCED OR DISCLOSED WITHOUT THE WRITTEN APPROVAL OF BEL FUSE INC.

RoHS  
2002/95/EC



### ELECTRICAL CHARACTERISTICS @ 25°C

#### URNS RATIO

TP1	1CT : 1CT ±2%
TP2	1CT : 1CT ±2%
TP3	1CT : 1CT ±2%
TP4	1CT : 1CT ±2%

#### CL @ 100kHz/100mVRMS

8mA DC BIAS 350µH MIN.

#### INS. LOSS

0.1MHz TO 1MHz	-1.1 dB MAX
1MHz TO 65MHz	-0.5 dB MAX
65MHz TO 100MHz	-0.8 dB MAX
100MHz TO 125MHz	-1.2 dB MAX

#### RET. LOSS (MIN)

0.5MHz-40MHz	-18 dB
40MHz-100MHz	-12+20LOG(f/80MHz) dB

#### CM TO CM REJ

100kHz - 100MHz -30 dB MIN

#### CM TO DM REJ

100kHz - 100MHz -35 dB MIN

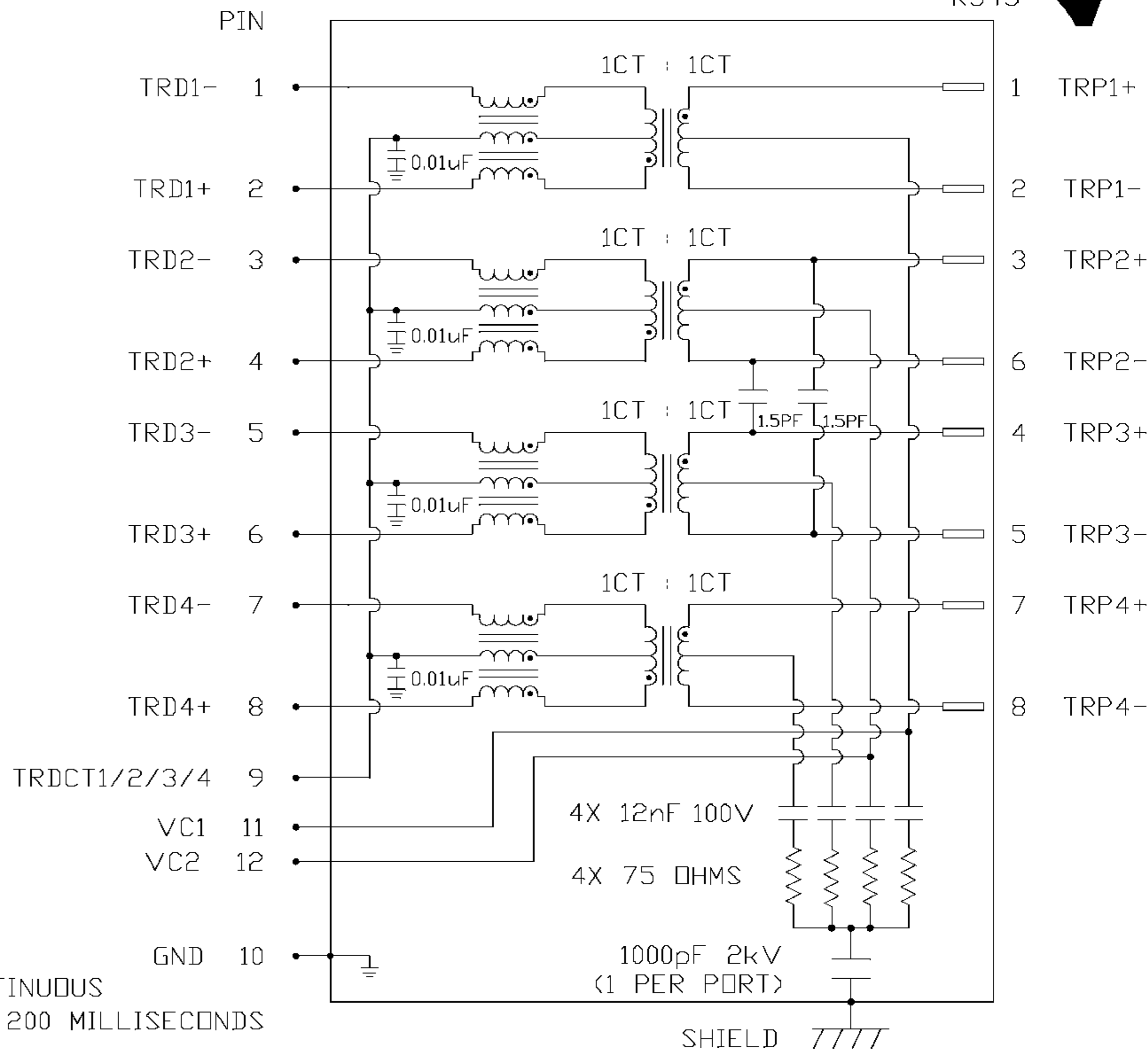
#### HIPOT (Isolation Voltage): 2250 VDC

100% OF PRODUCTION TESTED TO COMPLY WITH IEEE 802.3 ISOLATION REQUIREMENTS.

BALANCED DC LINE CURRENT 350 mA MAX. @ 57 VDC CONTINUOUS  
500 mA MAX. @ 57 VDC FOR 200 MILLISECONDS

### SCHEMATIC

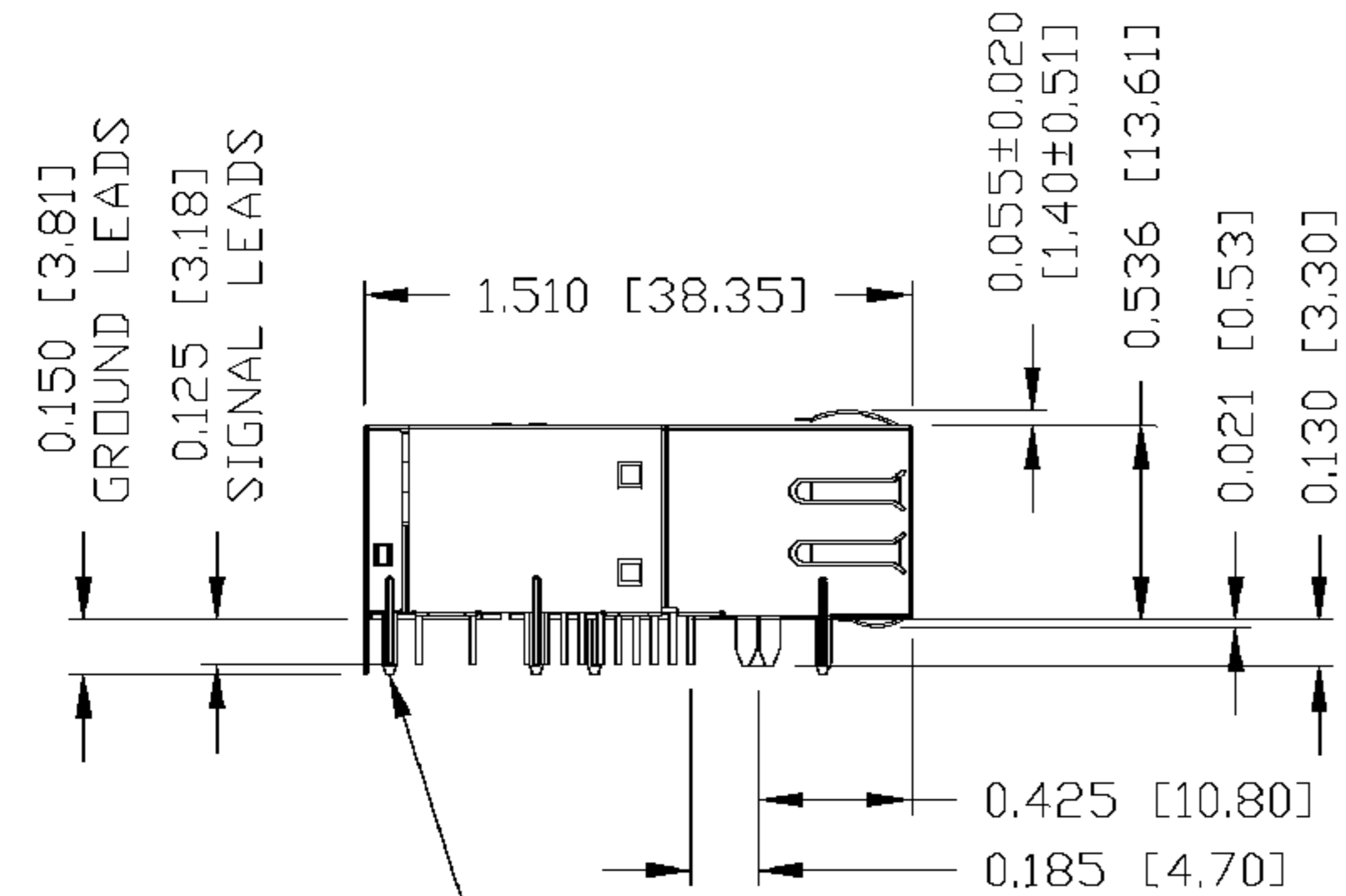
RJ45



ORIGINATED BY CHOW WC	DATE 11-15-07	TITLE 1X8 gigabit MagJack® (VDIP)	PART NO. / DRAWING NO. 08741X8T66-F	STANDARD DIM. TOL. IN INCH .X .XX .XXX	[ ] METRIC DIM. AS REFERENCE UNIT : INCH [mm] SCALE : N/A	REV. : B SIZE : A4 PAGE : 2	
DRAWN BY LEE WEIDE	DATE 11-15-07	TITLE 0874-1X8T-66-F	FILE NAME 08741X8T66-F_B.DWG				
<p>DC002(2)032305</p> <p>This document is electronically generated. This is a controlled copy if used internally</p>							

THE INFORMATION CONTAINED HEREIN IS CONSIDERED "PROPRIETARY" TO BEL FUSE INC. AND SHALL NOT BE COPIED, REPRODUCED OR DISCLOSED WITHOUT THE WRITTEN APPROVAL OF BEL FUSE INC.

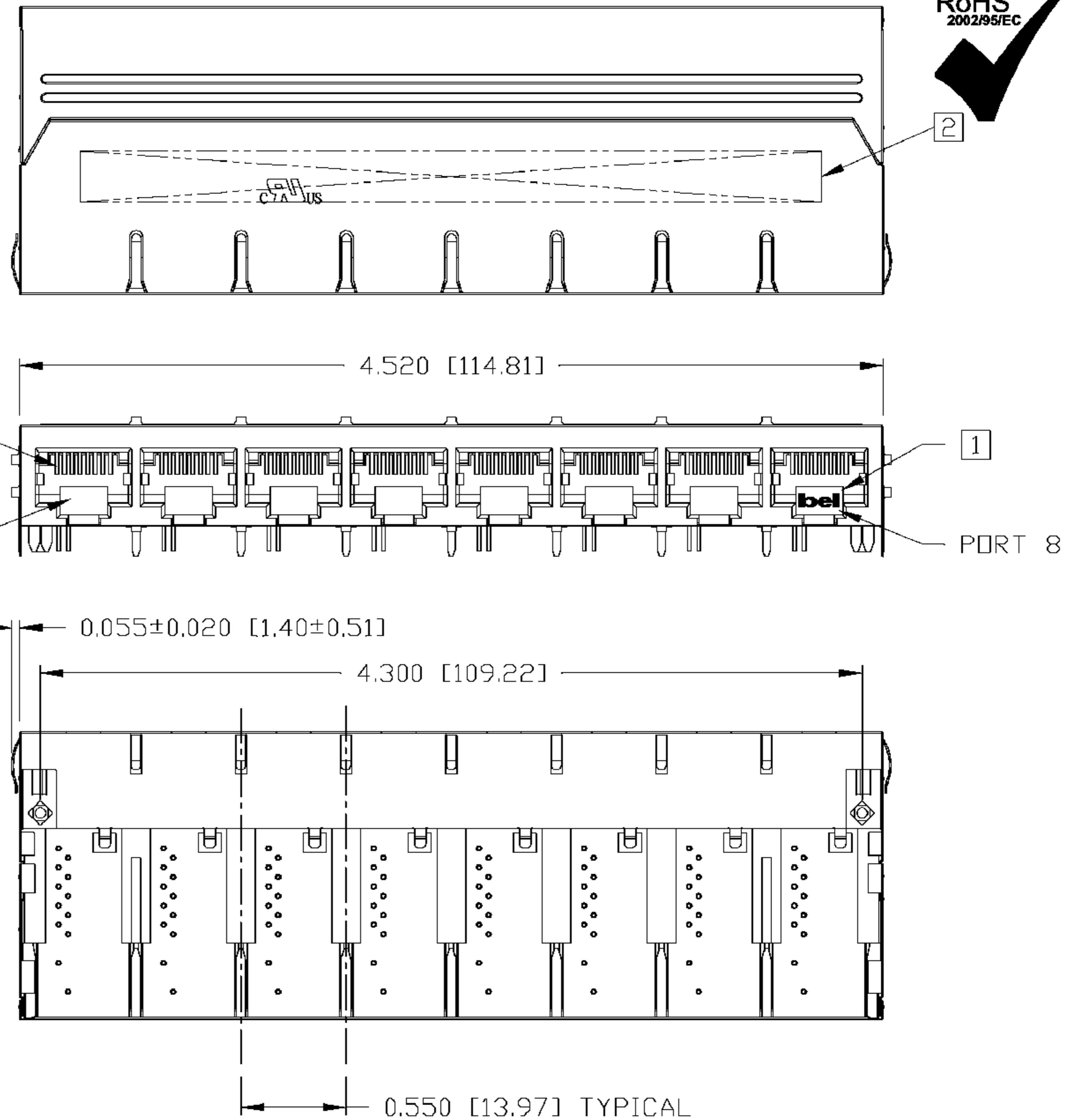
RoHS  
2002/95/EC



- NOTES:
- SOLDER DIPPED GROUND LEAD (13X)
  - PLASTIC HOUSING: THERMOPLASTIC PBT  
FLAMMABILITY RATING UL 94V-0
  - CONTACT PLATING: 50 MICRO-INCH HARD GOLD PLATING
  - OUTPUT PINS: TIN-COATED COPPER WIRE, DIA 0.018 INCH.
  - METAL SHIELD: NICKEL PLATED ON COPPER ALLOY.  
(ALL GROUND LEADS ARE SOLDER DIPPED)

- [1] JACK CAVITY CONFORMS TO FCC RULES AND REGULATIONS, PART 68 SUBPART F.
- [2] MARK PART WITH MFG LOGO, PART NUMBER, DATE CODE AND MFG NAME.

UL RECOGNIZED - FILE #E196366 AND E169987.  
RoHS COMPLIANCE, PER EU DIRECTIVE 2002/95/EC.

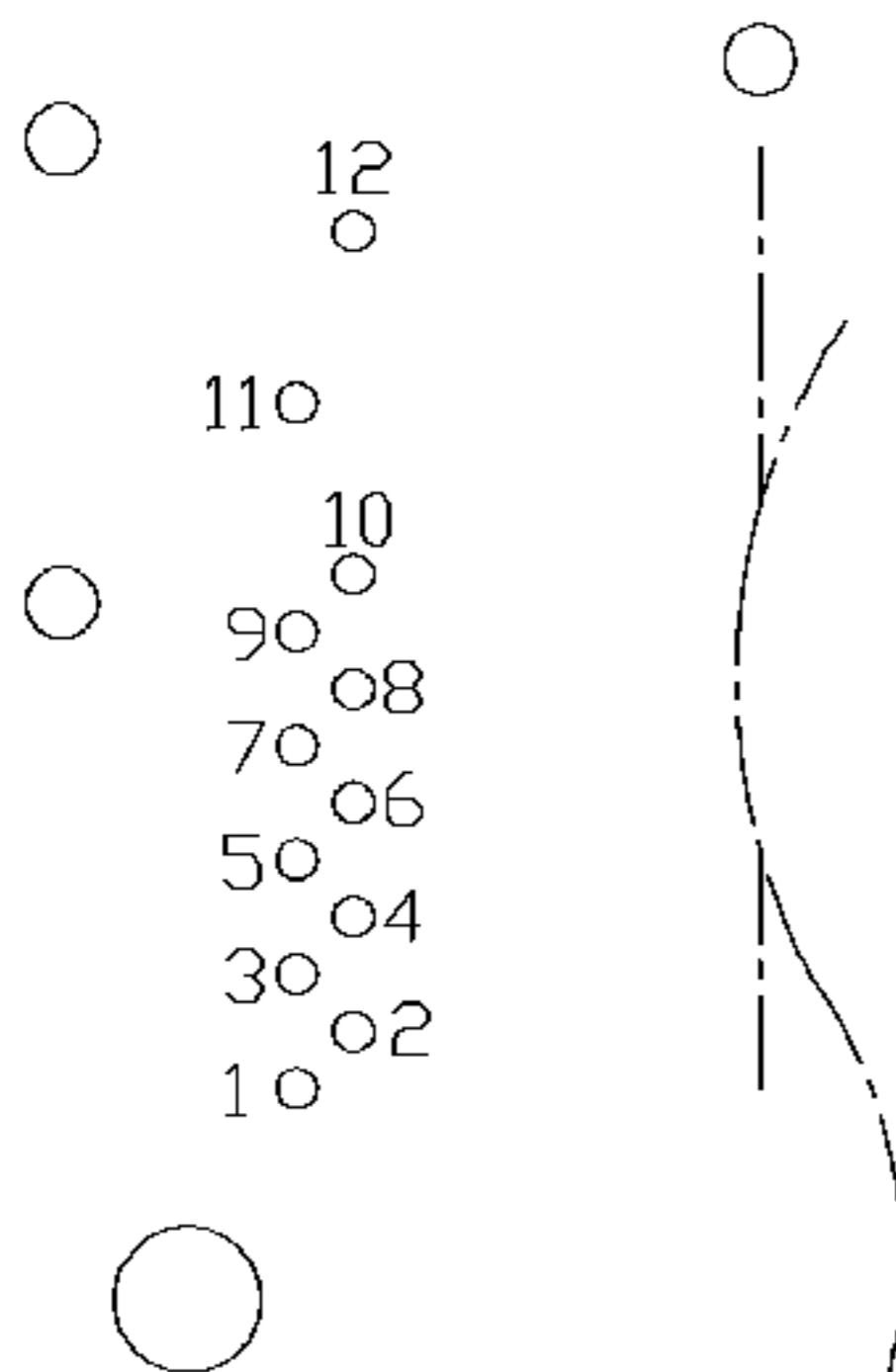


ORIGINATED BY	DATE	TITLE	PART NO. / DRAWING NO.	STANDARD DIM.		[ ] METRIC DIM. AS REFERENCE		REV. : B	PAGE : 3
				TOL. IN INCH	UNIT : INCH [mm]	SCALE : N/A	SIZE : A4		
CHEN BILL	11-15-07	1X8 gigabit MagJack® (VOIP)	08741X8T66-F	.X					
DRAWN BY	DATE		FILE NAME	.XX					
LIU QIN	11-15-07	0874-1X8T-66-F	08741X8T66-F_B.DWG	.XXX	±0.010				



THE INFORMATION CONTAINED HEREIN IS CONSIDERED "PROPRIETARY" TO BEL FUSE INC. AND SHALL NOT BE COPIED, REPRODUCED OR DISCLOSED WITHOUT THE WRITTEN APPROVAL OF BEL FUSE INC.

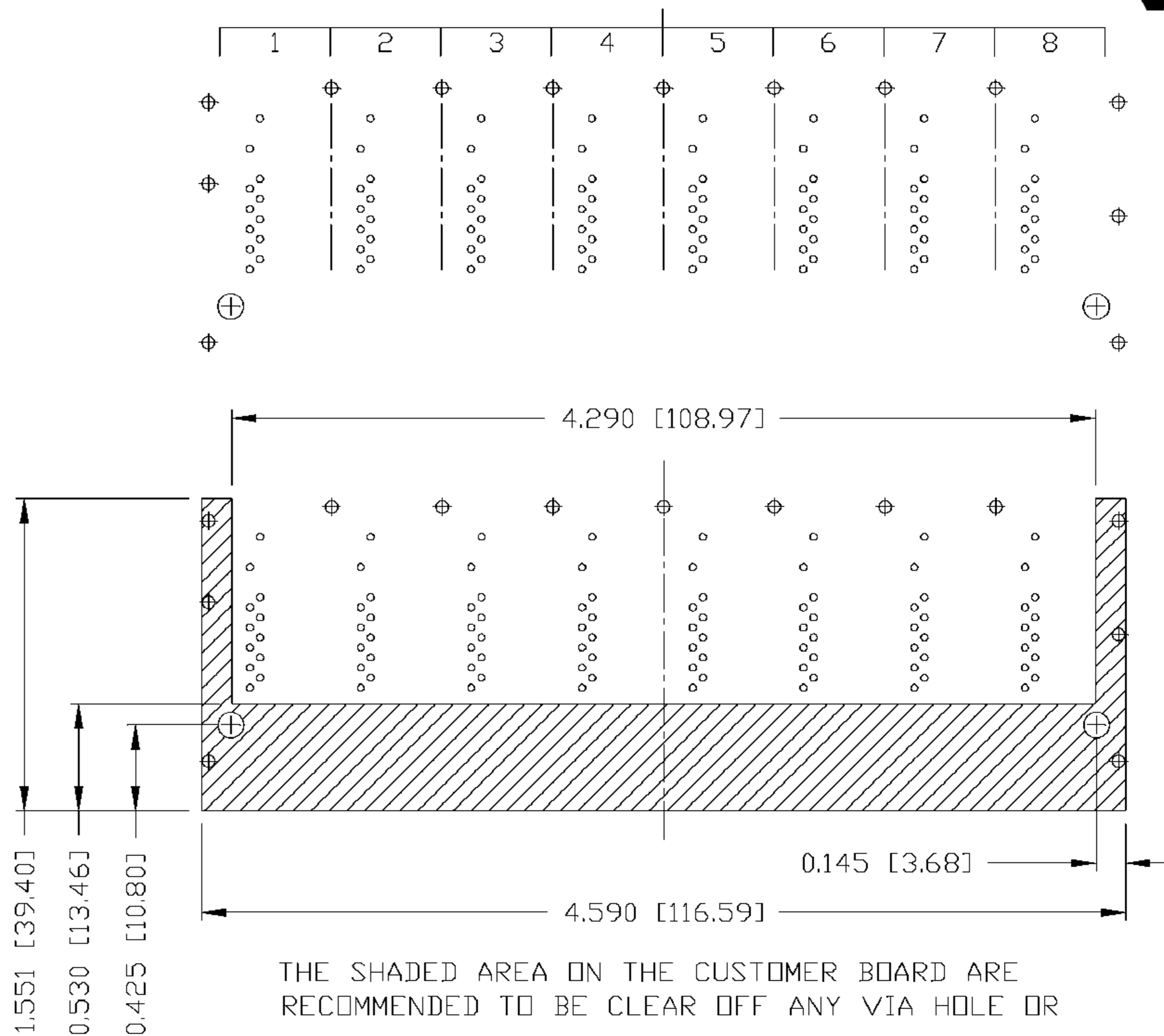
RoHS  
2002/95/EC



PIN-OUT INFORMATION  
(COMPONENT SIDE VIEW)

12	VC2
11	VC1
10	GND
9	TRCT1/2/3/4
8	TRD 4+
7	TRD 4-
6	TRD 3+
5	TRD 3-
4	TRD 2+
3	TRD 2-
2	TRD 1+
1	TRD 1-

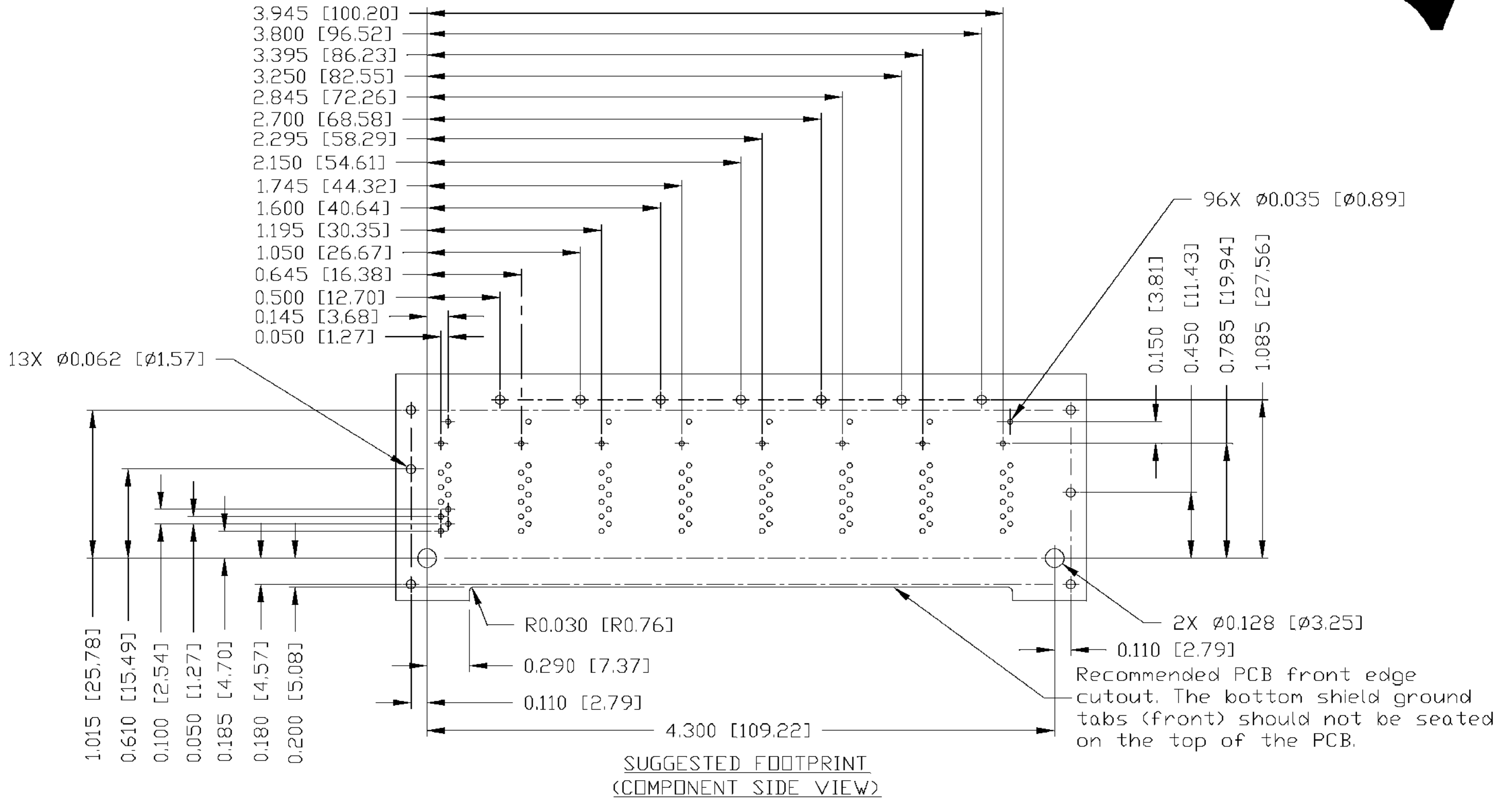
PORT ASSIGNMENT  
(COMPONENT SIDE VIEW)



THE SHADED AREA ON THE CUSTOMER BOARD ARE RECOMMENDED TO BE CLEAR OFF ANY VIA HOLE OR COMPONENT PAD.

ORIGINATED BY CHEN BILL	DATE 11-15-07	TITLE 1X8 gigabit MagJack® (VOIP)	PART NO. / DRAWING NO. 08741X8T66-F	STANDARD DIM. TOL. IN INCH	[ ] METRIC DIM. AS REFERENCE	<p>COMPONENTS FOR A CONNECTED PLANET</p>
DRAWN BY LIU QIN	DATE 11-15-07	FILE NAME 08741X8T66-F_B.DWG	.X	/	UNIT : INCH [mm]	
			.XX	/	SCALE : N/A	
			.XXX	±0.004	REV. : B SIZE : A4 PAGE : 4	

THE INFORMATION CONTAINED HEREIN IS CONSIDERED "PROPRIETARY" TO BEL FUSE INC. AND SHALL NOT BE COPIED, REPRODUCED OR DISCLOSED WITHOUT THE WRITTEN APPROVAL OF BEL FUSE INC.



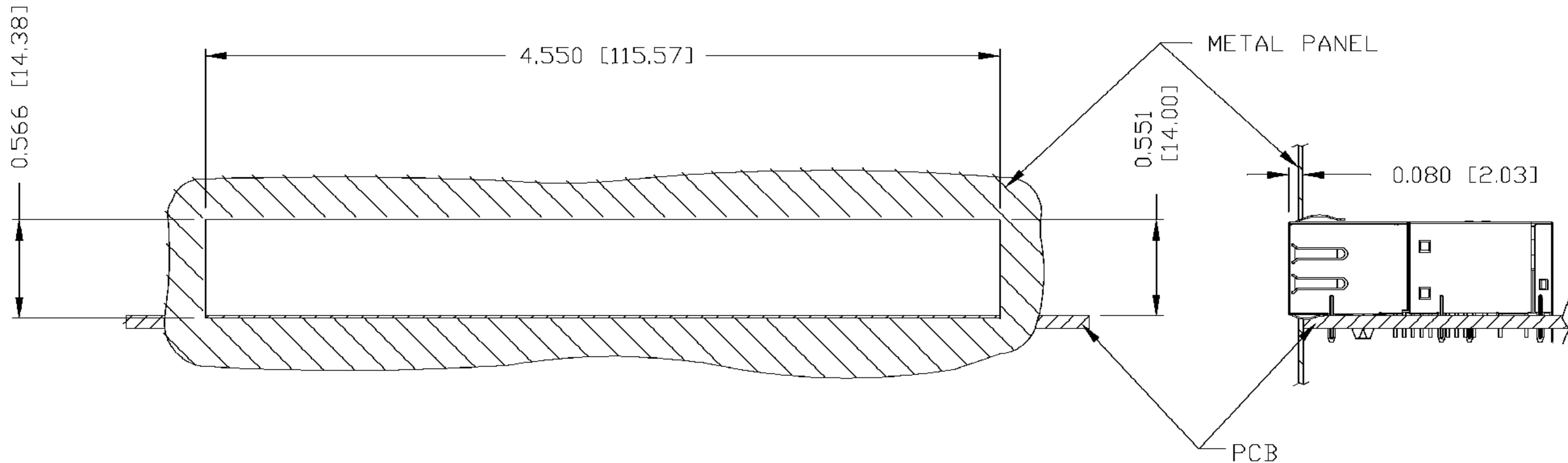
ORIGINATED BY CHEN BILL	DATE 11-15-07	TITLE 1X8 gigabit MagJack® (VOIP)	PART NO. / DRAWING NO. 08741X8T66-F	STANDARD DIM. TOL. IN INCH	[ ] METRIC DIM. AS REFERENCE	 COMPONENTS FOR A CONNECTED PLANET	
DRAWN BY LIU QIN	DATE 11-15-07	0874-1X8T-66-F	FILE NAME 08741X8T66-F_B.DWG	.X	UNIT : INCH [mm]		REV. : B
				.XX	SCALE : N/A		SIZE : A4
				.XXX	±0.004		PAGE : 5

THE INFORMATION CONTAINED HEREIN IS CONSIDERED  
 "PROPRIETARY" TO BEL FUSE INC. AND SHALL NOT BE  
 COPIED, REPRODUCED OR DISCLOSED WITHOUT THE  
 WRITTEN APPROVAL OF BEL FUSE INC.

RoHS  
 2002/95/EC



SUGGESTED PANEL OPENING



NOTE:

THE DISTANCE OF PANEL INSIDE SURFACE RELATIVE TO FRONT SURFACE OF PART IS ONLY A SUGGESTION.  
 IN CASE THIS DISTANCE IS DIFFERENT, THE REQUIRED PANEL OPENING DIMENSIONS CHANGE ACCORDINGLY.

PACKING INFORMATION

PACKING TRAY : 0200-9999-F8 (TOP)

0200-9999-F9 (BOTTOM)

PACKING QUANTITY : 12 PCS FINISHED GOODS PER TRAY.

5 TRAYS (60 PCS FINISHED GOODS) PER CARTON BOX.

NOTE : CARDBOARDS ARE PLACED BETWEEN LAYERS OF PACKING TRAY INSIDE CARTON BOX.

(INCLUDE THE UPPERMOST AND LOWERMOST TRAY)

ORIGINATED BY CHEN BILL	DATE 11-15-07	TITLE 1X8 gigabit MagJack® (VOIP)	PART NO. / DRAWING NO. 08741X8T66-F	STANDARD DIM.		[ ] METRIC DIM. AS REFERENCE		bel COMPONENTS FOR A CONNECTED PLANET	
				TOL. IN INCH		UNIT : INCH [mm]	REV. : B		
DRAWN BY LIU QIN	DATE 11-15-07	0874-1X8T-66-F	FILE NAME 08741X8T66-F_B.DWG	.X	±0.004	SCALE : N/A	SIZE : A4	PAGE : 6	
				.XX					
				.XXX					