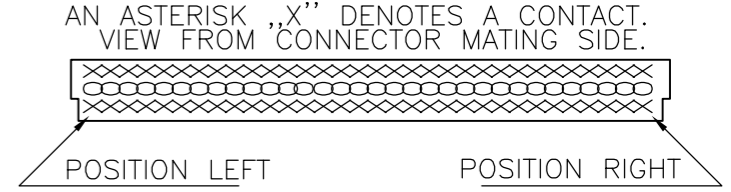
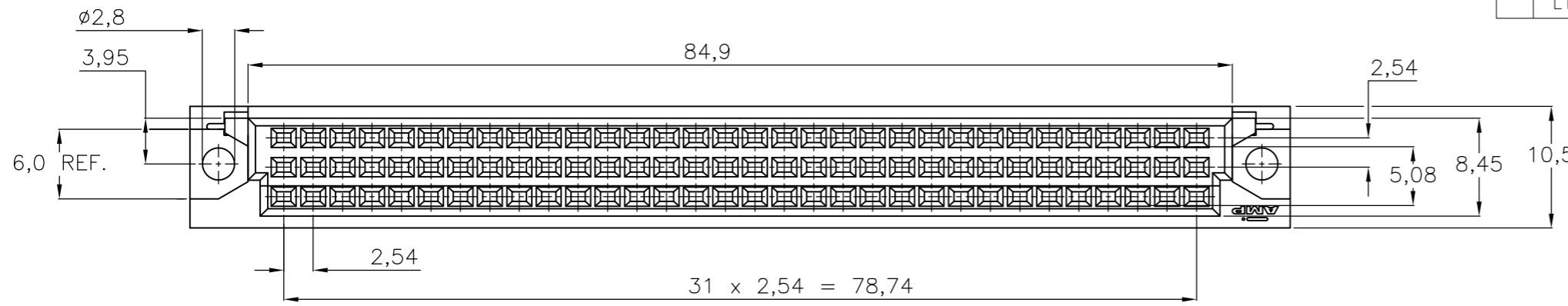
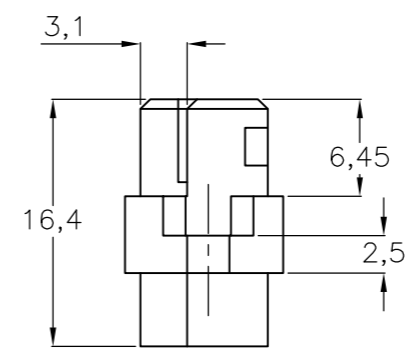
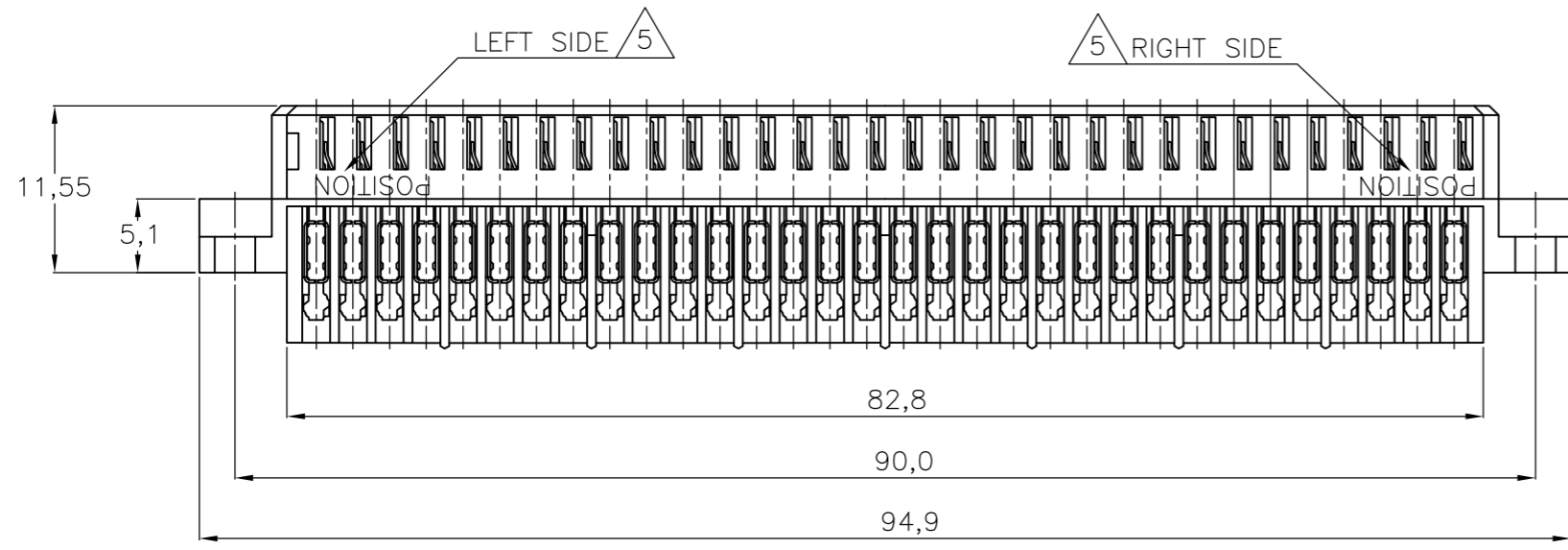


THIS DRAWING IS UNPUBLISHED. RELEASED FOR PUBLICATION
 © COPYRIGHT BY TYCO ELECTRONICS CORPORATION. ALL INTERNATIONAL RIGHTS RESERVED.

LOC	DIST	REVISIONS			
P	LTR	DESCRIPTION	DATE	DWN	APVD
H	—	L	ECR-06-012362	23-05-06	BM JB
		L1	ECR-08-014461	21-10-08	AEG WRV



DASHNUMBER	CONNECTOR	POSITION	
		LEFT	RIGHT
-1, -2, -3		c1	c32
-4, -5, -6		c32	c1
-8		a1	a32
1-1		a32	a1



NOTES:

- 1 MATERIAL :
 - HOUSING : GLASSFILLED POLYESTER
 - COLOUR : GRAY
 - CONTACTS: PHOSPHORBRONZE
- 2 PLATING CONTACT :
 - 1 : 2,0 μm Au OVER 1,25 μm Ni AT CONTACT AREA. REMAINDER TIN PLATING.
 - 2 : SAME AS -1 ONLY 0,8 μm Au.
 - 3 : SAME AS -1 ONLY 1,25 μm Au.
 - 4 : SAME AS -1.
 - 5 : SAME AS -2.
 - 6 : SAME AS -3.
 - 8 : SAME AS -2.
 - 1-1 : SAME AS -2.

WIRE RANGE :
AWG 26-22
INSULATION RANGE :
ø1,2 MAX.

OBSOLETE	SEE NOTE 2	SEE NOTE 1	1-166811-1
			166811-8
OBSOLETE			166811-6
			166811-5
			166811-4
			166811-3
			166811-2
			166811-1
	FINISH	MATERIAL	PARTNUMBER

THIS DRAWING IS A CONTROLLED DOCUMENT.		DWN J.GIBBELS 03APR96	Tyco Electronics Corporation 's-Hertogenbosch, Nederland													
DIMENSIONS: mm		CHK R.V.LOKVEN	64 POS. BACK PANEL M.T. CONNECTOR													
TOLERANCES UNLESS OTHERWISE SPECIFIED:		APVD R.SMEETS														
<table border="1"> <tr><td>0 PLC</td><td>± -</td></tr> <tr><td>1 PLC</td><td>± -</td></tr> <tr><td>2 PLC</td><td>± -</td></tr> <tr><td>3 PLC</td><td>± -</td></tr> <tr><td>4 PLC</td><td>± -</td></tr> <tr><td>ANGLES</td><td>± -</td></tr> </table>		0 PLC	± -	1 PLC	± -	2 PLC	± -	3 PLC	± -	4 PLC	± -	ANGLES	± -	PRODUCT SPEC	NAME	RESTRICTED TO
0 PLC	± -															
1 PLC	± -															
2 PLC	± -															
3 PLC	± -															
4 PLC	± -															
ANGLES	± -															
MATERIAL		APPLICATION SPEC	SIZE A3	CAGE CODE 00779												
		WEIGHT	DRAWING NO C-166811	SCALE NTS												
		CUSTOMER DRAWING		SHEET 1 OF 1												
				REV L1												