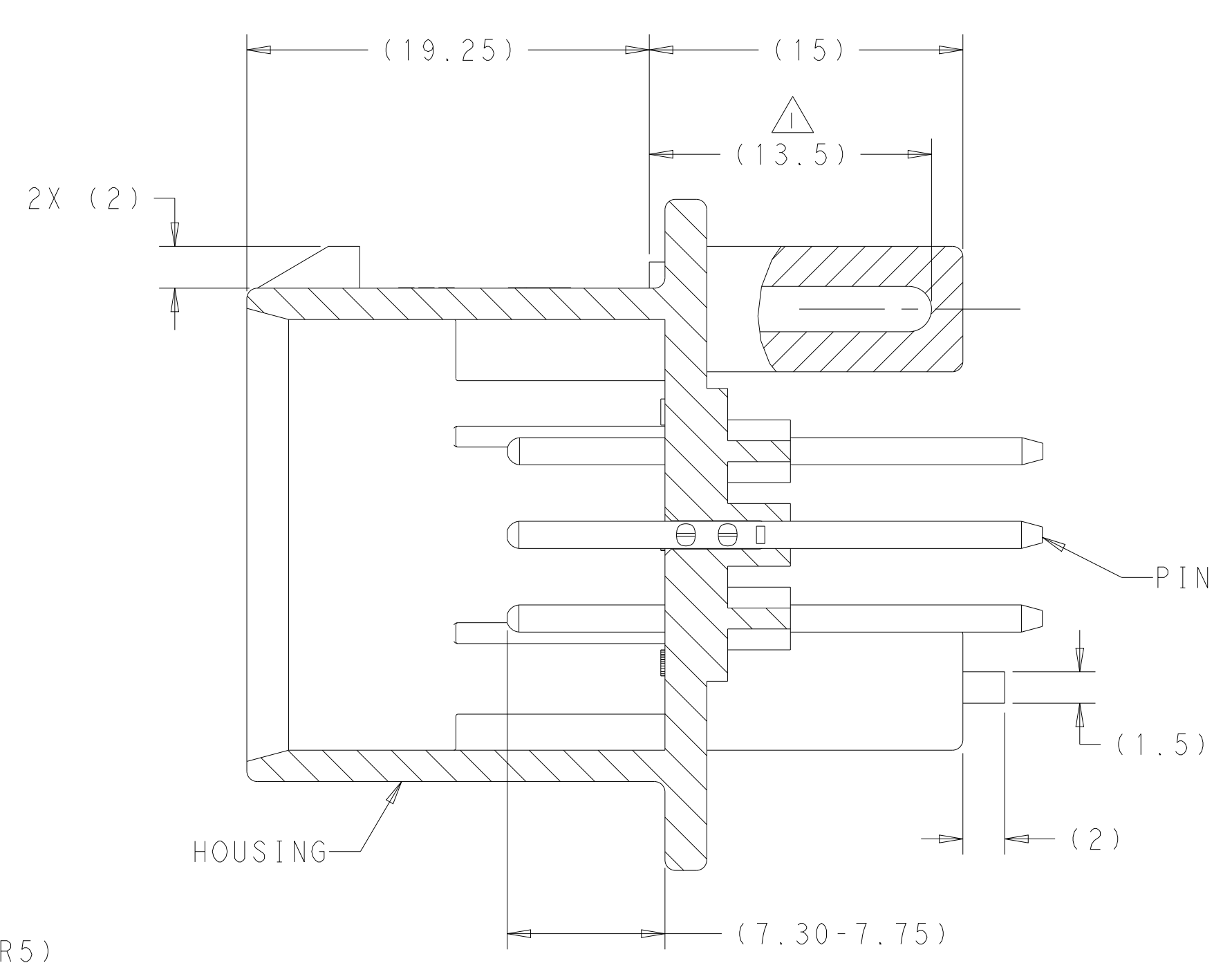
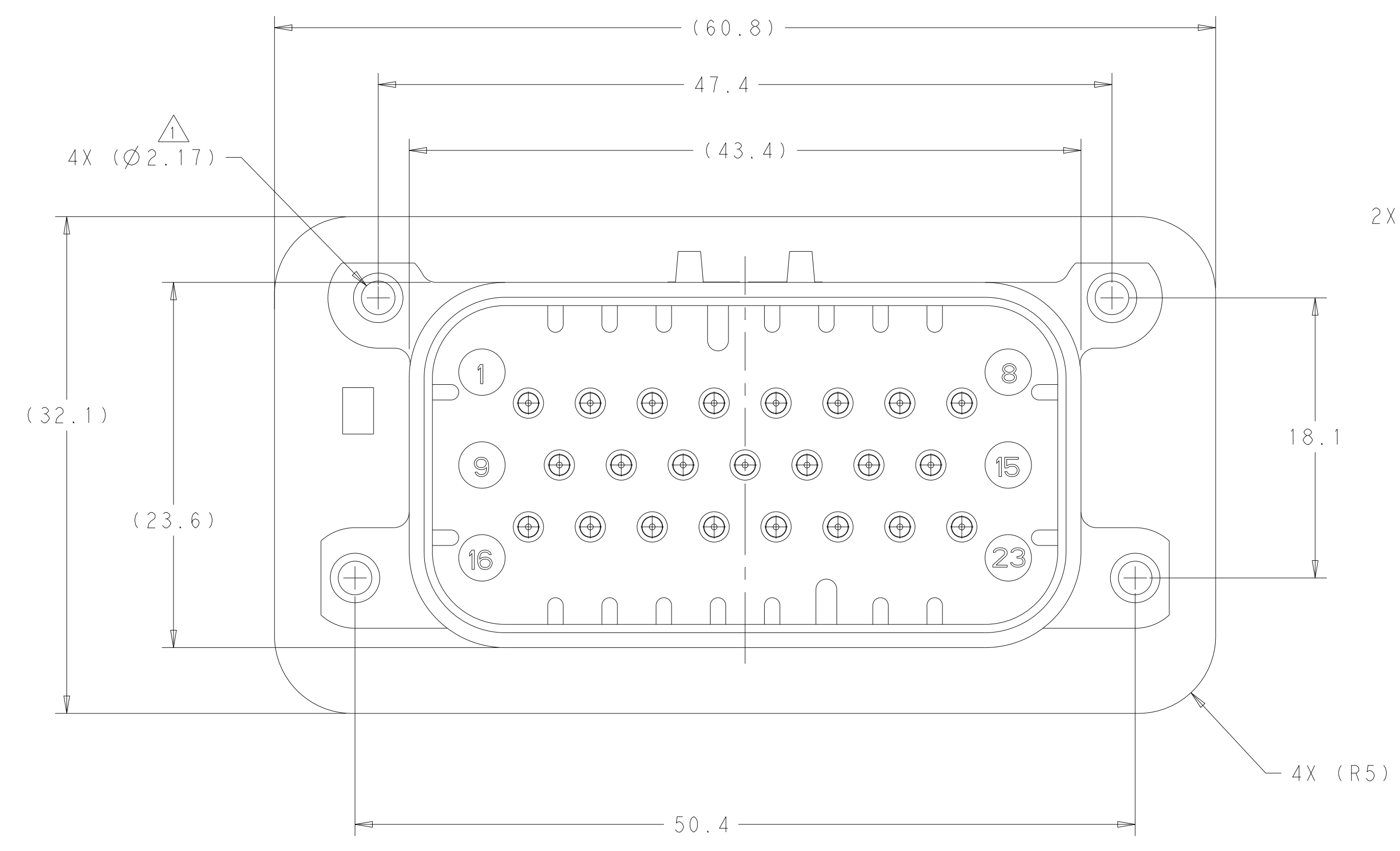
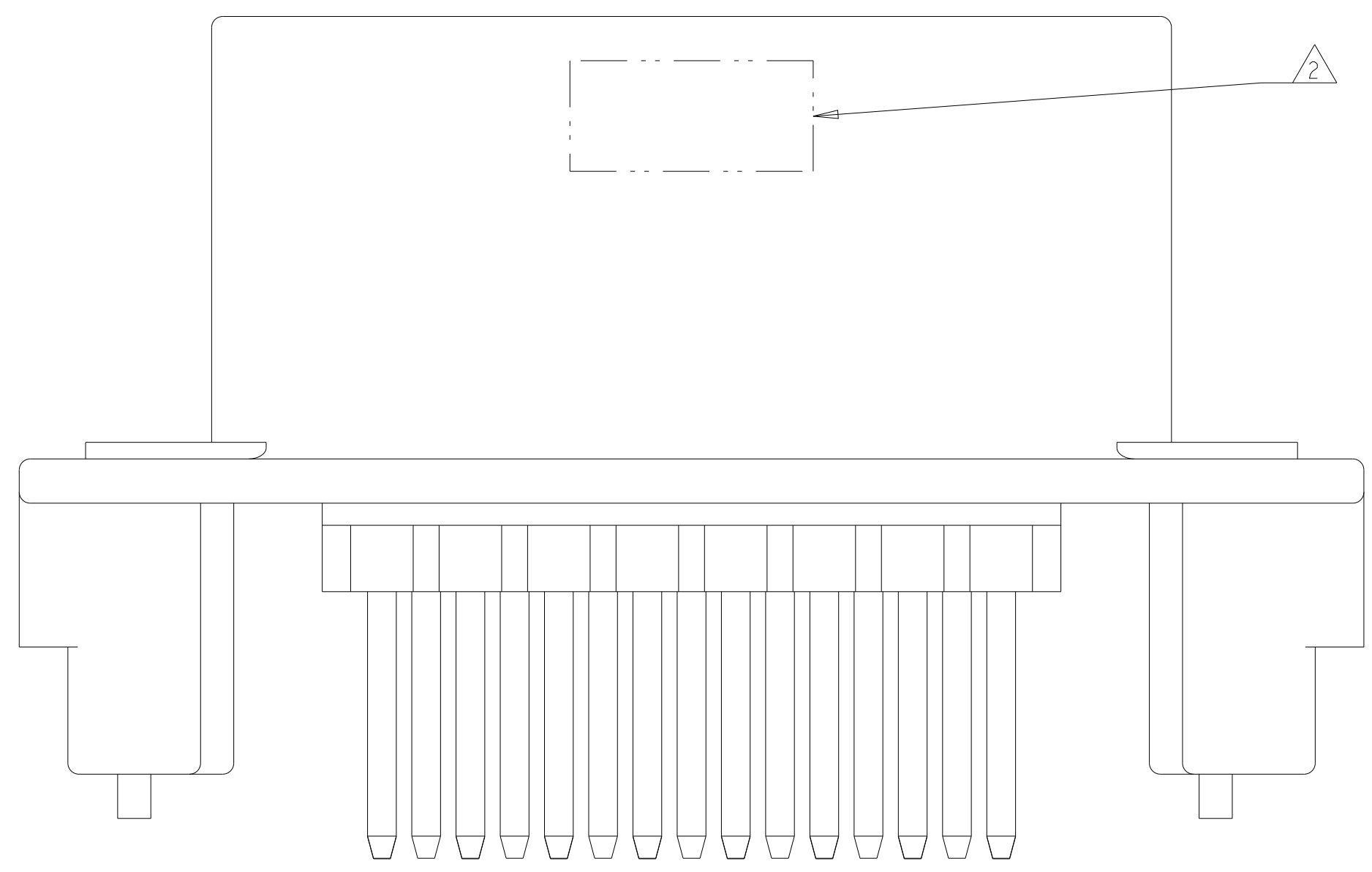


REVISIONS				
P	LTN	DESCRIPTION	DATE	APVD
D15		REVISED PER ECO-20-004256	25MAR2020	JM DS
D16		REVISED PER PCN E-20-016603	24NOV2020	PN DS
E		REVISED PER ECN-21-123056	08NOV2021	DK CB



SECTION A-A

- 1 SUGGESTED MOUNTING SCREW SIZE IS $\varnothing 2.50-3.00\text{mm}$ [$\varnothing 0.099 - 0.118$ INCH] SELF TAPPING THREAD FORMING SCREW, SUCH AS DELTA PT, TO BE DRIVEN AT 0.6-0.8 N-m. THE CUSTOMER SHOULD TEST THE SCREW SIZE AND TYPE IN ORDER TO VERIFY THEIR SELECTION FOR THEIR APPLICATION
- 2 DATE CODE IN THIS LOCATION USING 5 DIGIT CODE. FIRST 2 DIGITS = YEAR, SECOND 2 DIGITS = WEEK, LAST DIGIT = DAY.
- 3 MATERIALS: HEADER HOUSING - GLASS FILLED PBT; PINS - TIN OR GOLD PLATED BRASS
- 4 HOUSING COLORS ARE MECHANICALLY KEYED TO MATE ONLY WITH IDENTICALLY COLORED PLUG ASSEMBLIES.
- 5. HEADER MATES TO PLUG ASSEMBLY 770680 WHICH USES REELED TERMINAL 770520 OR LOOSE PIECE TERMINAL 770854



776200-1 & 1-776200-1 SHOWN

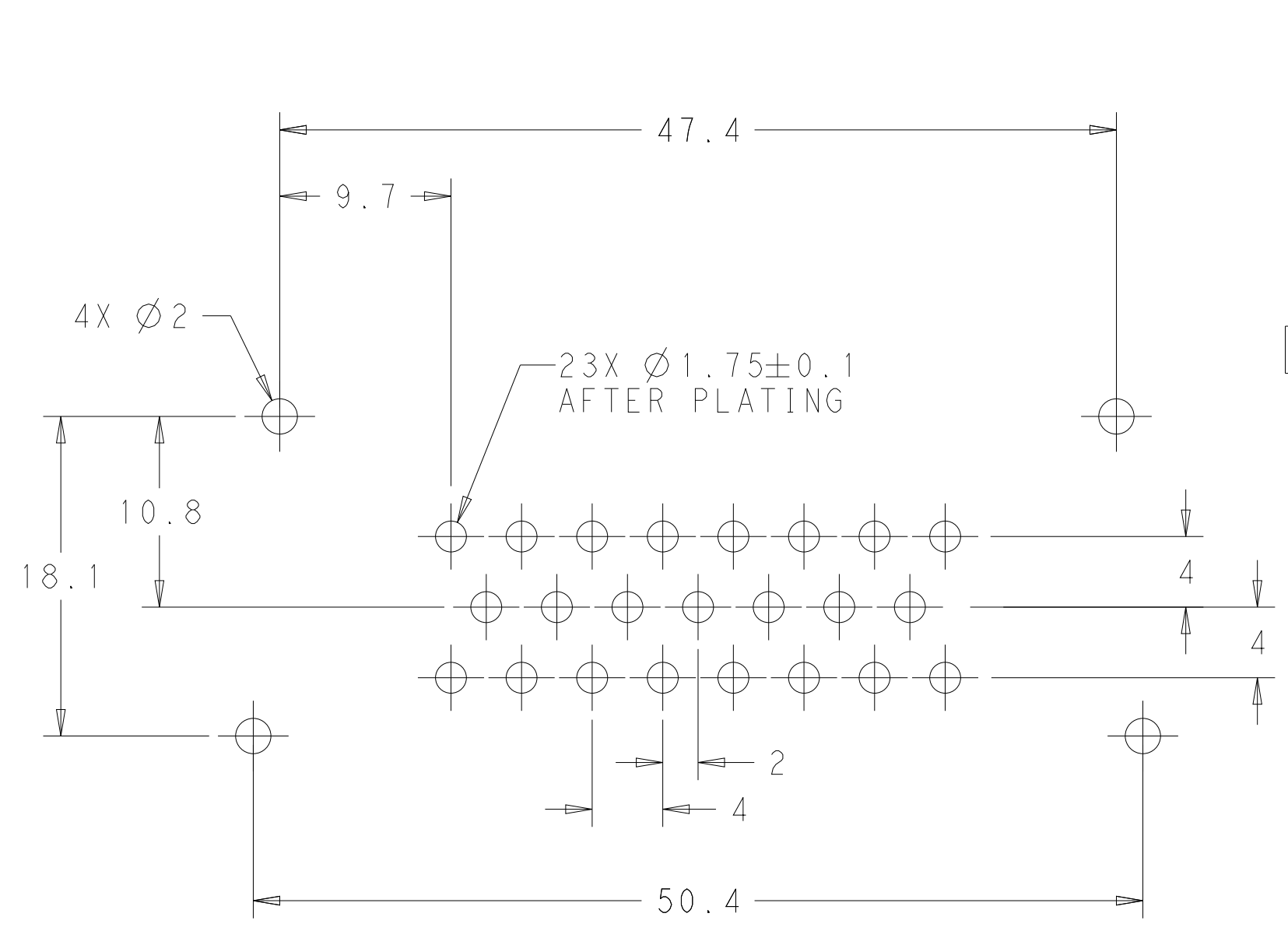
HEADER COLOR	PLATING	PART NUMBER
BLUE	GOLD	1-776200-5
GRAY	GOLD	1-776200-4
NATURAL	GOLD	1-776200-2
BLACK	GOLD	1-776200-1
BLUE	TIN	776200-5
GRAY	TIN	776200-4
NATURAL	TIN	776200-2
BLACK	TIN	776200-1

THIS DRAWING IS A CONTROLLED DOCUMENT.

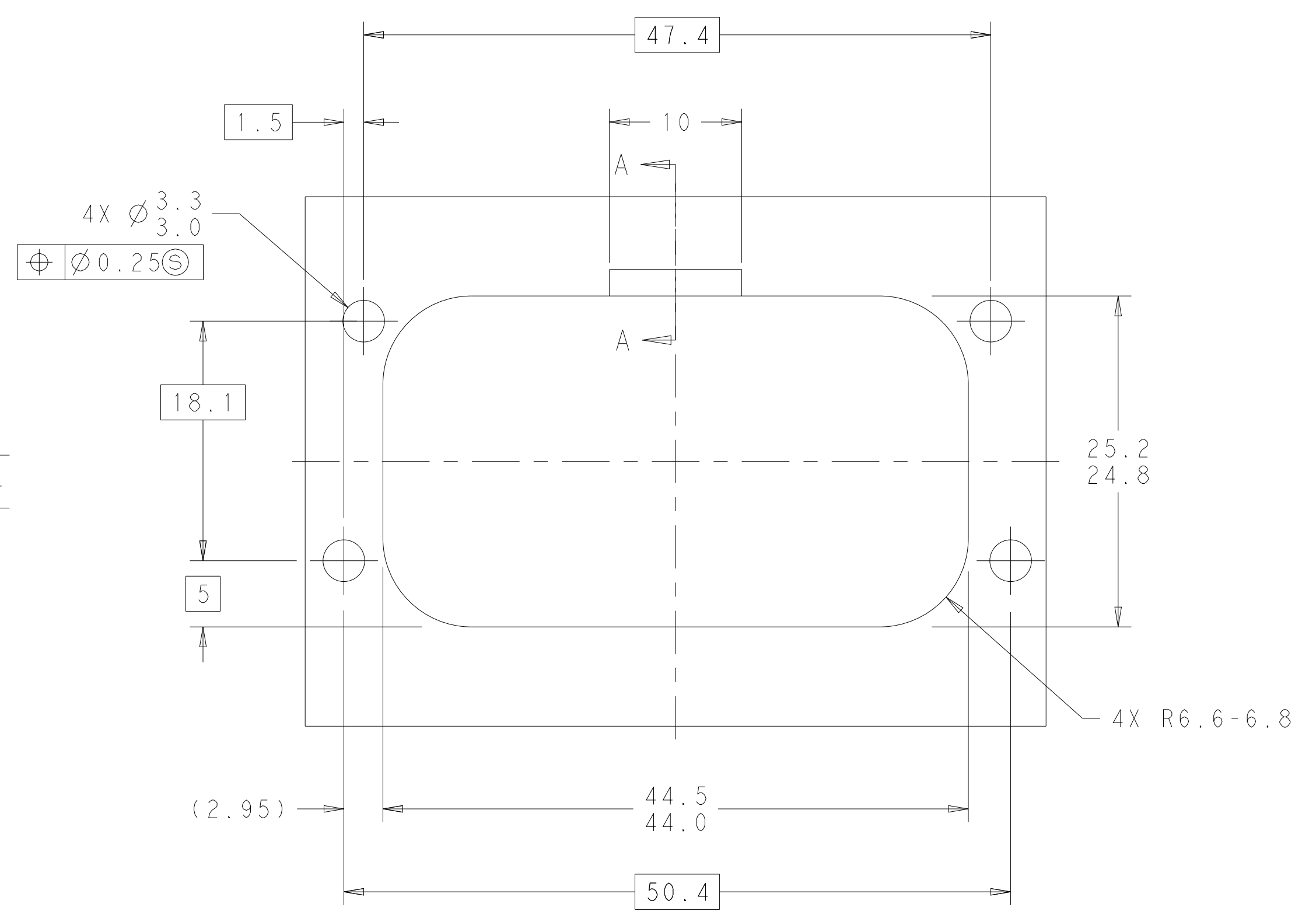
DIMENSIONS:	TOLERANCES UNLESS OTHERWISE SPECIFIED:	OWN: D. STRAUSSER 04FEB2010	CHK: D. STRAUSSER 22MAR2010	APVD: D. STRAUSSER 27APR2010	NAME: D. STRAUSSER
mm	0 PLC ±0.2	PRODUCT SPEC: 108-1329	APPLICATION SPEC: 114-16016	WEIGHT: 22.48g	SIZE: A1
MATERIAL: 3		FINISH: 3		CUSTOMER DRAWING	

TE Connectivity
 HEADER ASSEMBLY, 23 POSITION, VERTICAL, AMPSEAL
 SCALE: 4:1 SHEET 1 OF 2 REV E

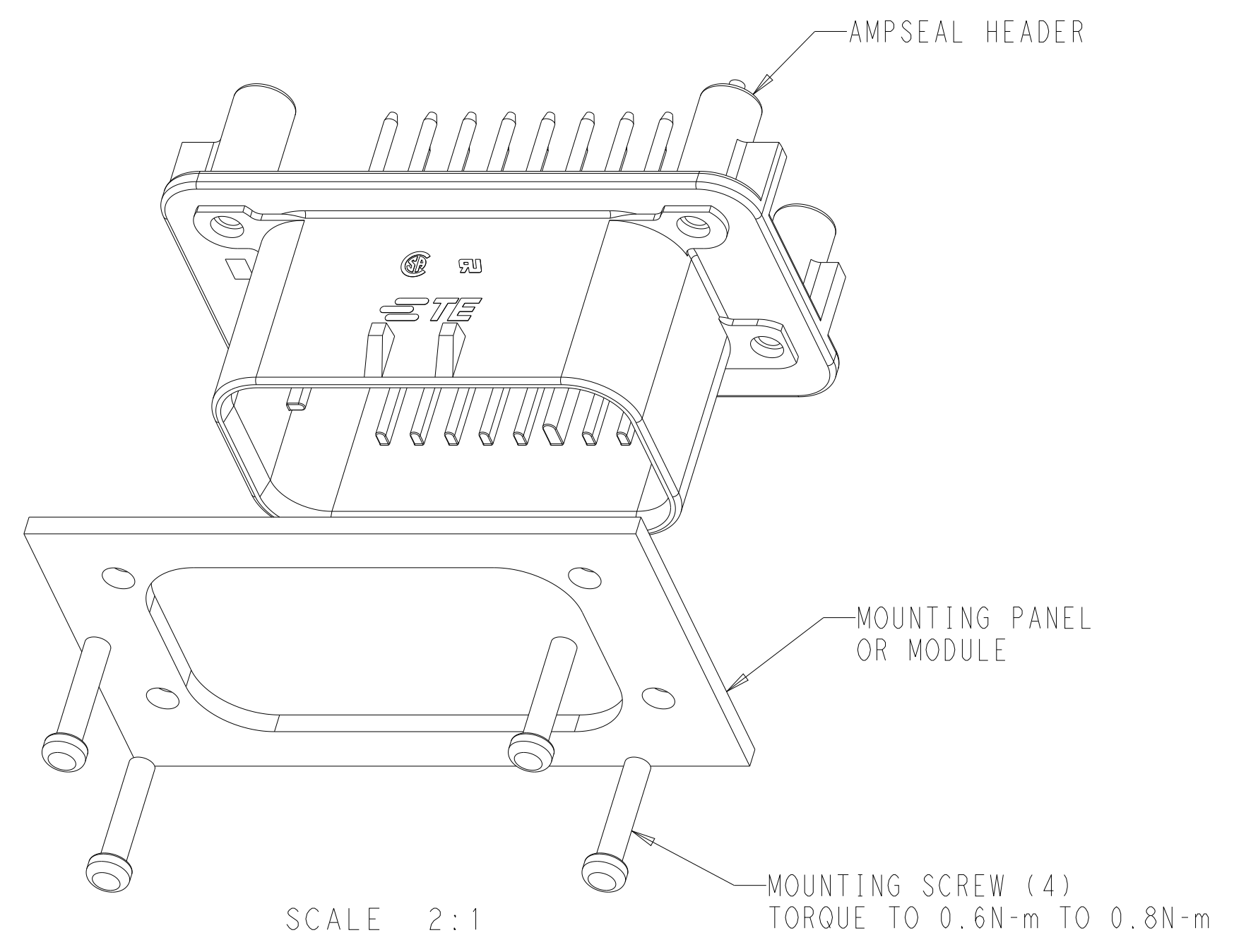
REVISIONS				
P	LTN	DESCRIPTION	DATE	APPV
-	-	SEE SHEET 1	-	-



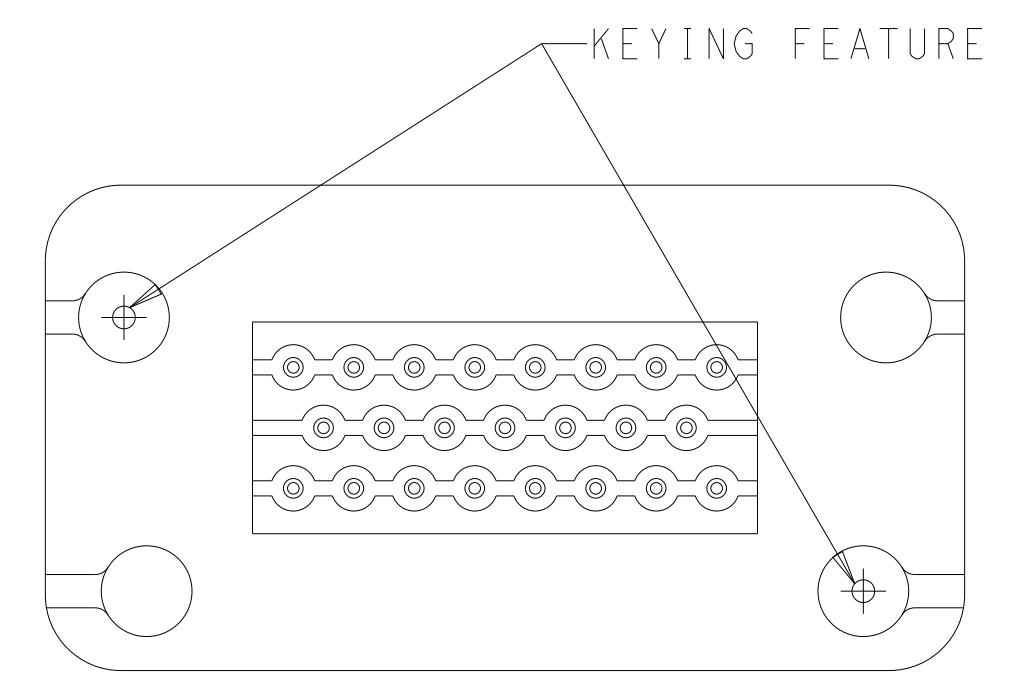
RECOMMENDED P.C. BOARD LAYOUT
 FOR 1.57 THICK P.C. BOARD



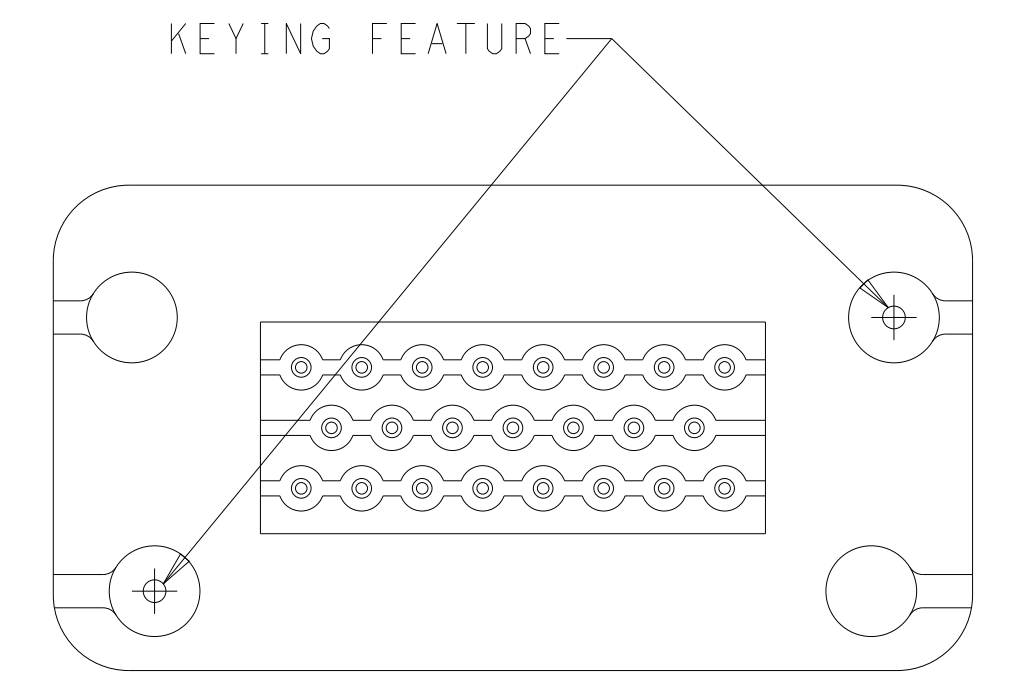
RECOMMENDED MOUNTING HOLE LAYOUT
 FOR 5.0 MAX THICK PANEL



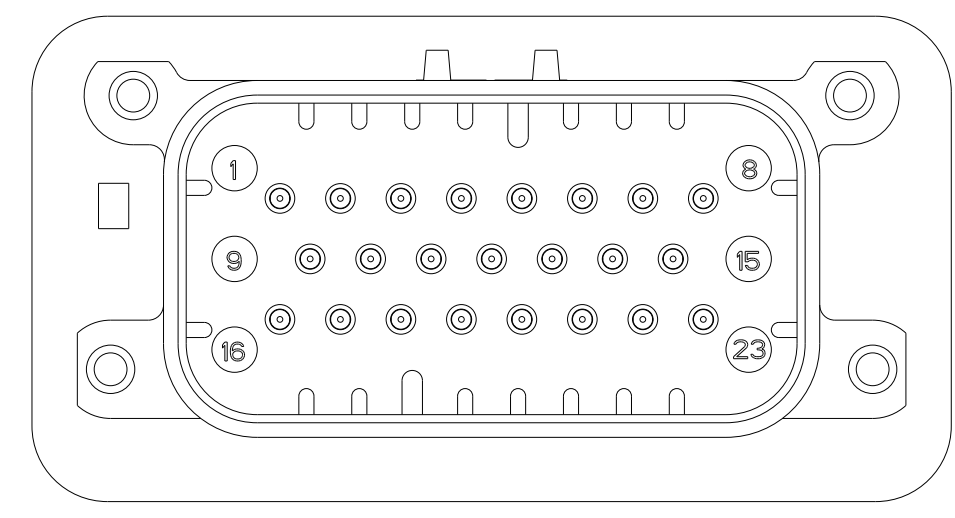
SCALE 2:1



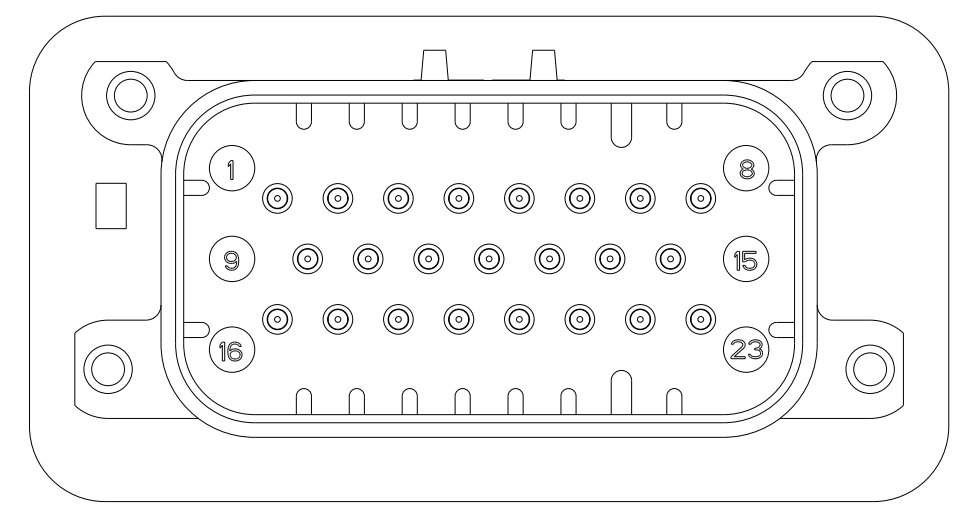
KEYING FOR 776200-1 AND 776200-5
 SCALE 2:1



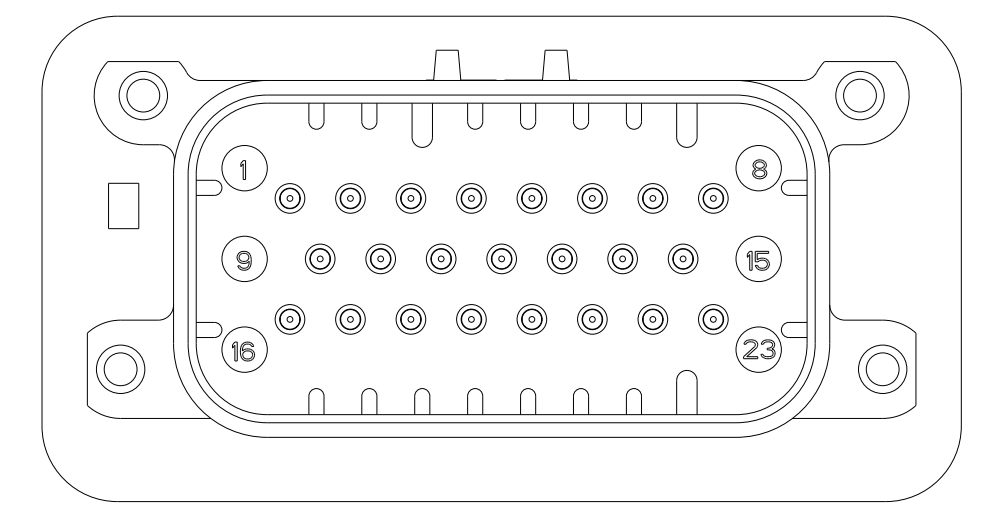
KEYING FOR 776200-2 AND 776200-4
 SCALE 2:1



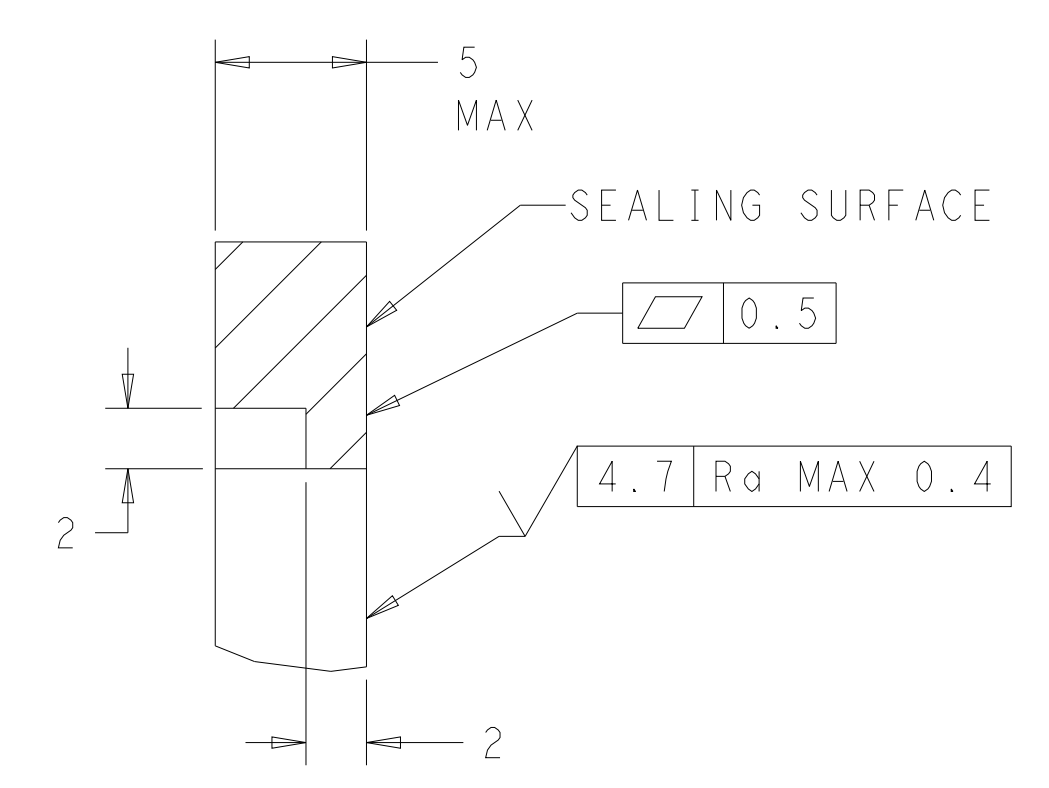
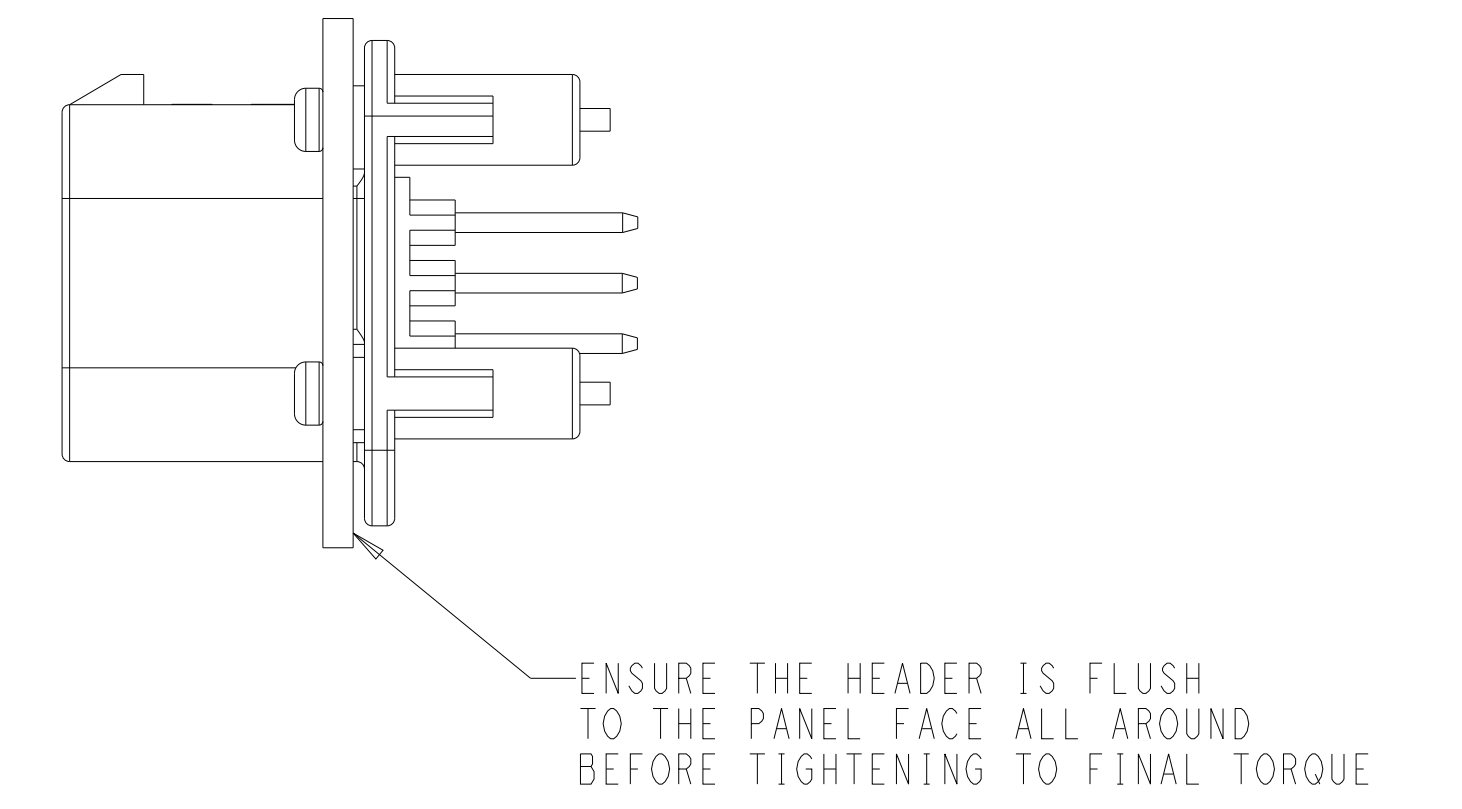
776200-2 & 1-776200-2
 KEY LOCATION
 SCALE 2:1



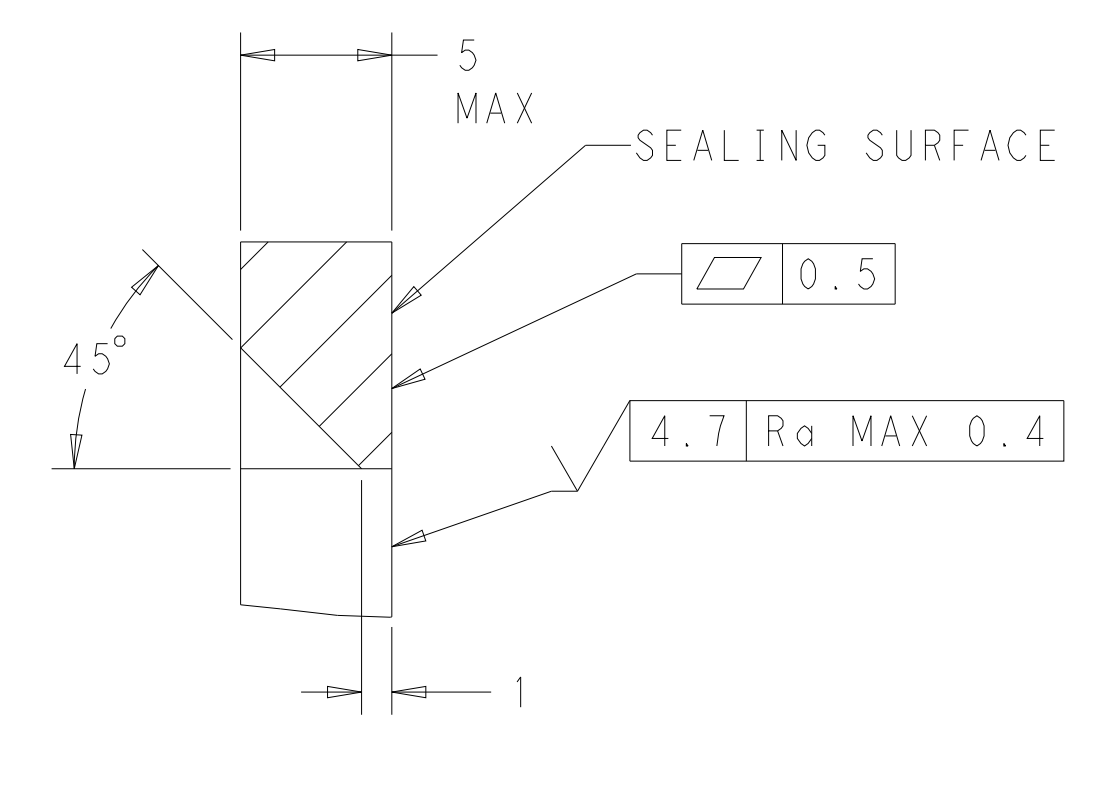
776200-4 & 1-776200-4
 KEY LOCATION
 SCALE 2:1



776200-5 & 1-776200-5
 KEY LOCATION
 SCALE 2:1



SECTION A-A
 OPTIONAL CONSTRUCTION IF PANEL
 THICKNESS IS GREATER THAN 2.0
 SCALE 4:1



SECTION A-A
 OPTIONAL CONSTRUCTION IF PANEL
 THICKNESS IS GREATER THAN 2.0
 SCALE 4:1

THIS DRAWING IS A CONTROLLED DOCUMENT.		OWN: D. STRAUSSER 04FEB2010	TE Connectivity	
DIMENSIONS: mm		CHK: D. STRAUSSER 22MAR2010		
TOLERANCES UNLESS OTHERWISE SPECIFIED:		APPV: D. STRAUSSER 27APR2010	NAME: HEADER ASSEMBLY, 23 POSITION, VERTICAL, AMPSEAL	
0 PLC	±0.2	PRODUCT SPEC	SIZE: CAGE CODE: DRAWING NO: RESTRICTED TO	
1 PLC	±0.2	108-1329	A100779C=776200	
2 PLC	±0.2	APPLICATION SPEC	WEIGHT: 22.48g	
3 PLC	±0.2	114-16016	CUSTOMER DRAWING	
4 PLC	±0.2	FINISH	SCALE: 4:1 SHEET 2 OF 2 REV E	