



Price Index



Series E08/Z08

Special Features / Options



IPA Qualification Certificate
Air Cleanliness Class ISO Class 2
(at v = 3.28 ft/s) upon request



Flammability Class
VDE 0304 IIC UL94 V2



Special equipment: Electrically
conductive ESD/ATEX version
upon request

Assembly Tips



Just push the cables into the e-chain
using your thumb

Usage Guidelines



- If filling is required without opening and closing
- If price is an issue
- If quiet operation is required



- "Z" Series is unsuitable for gliding applications
➤ Series 09 Zipper

Features & Benefits

- 1 Cable-friendly interior
- 2 Small pitch for low-noise and smooth operation
- 3 Lightweight
- 4 Patented push button design holds the links together
- 5 Integrated strain relief option
- 6 Very easy to fill
- 7 "E" Series features split crossbar along the outer radius
- 8 "Z" Series features split crossbar along the inner radius
- 9 Limited torsion tolerance



Order Example: Complete e-chain®

Please indicate chain length or number of links. Example:

3.28 ft (1 m) E08-30-038-0

e-chain®

1 Set 080-30-12PZ

Mounting Bracket

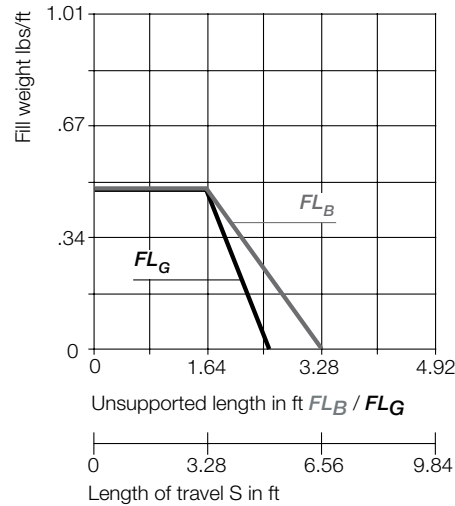
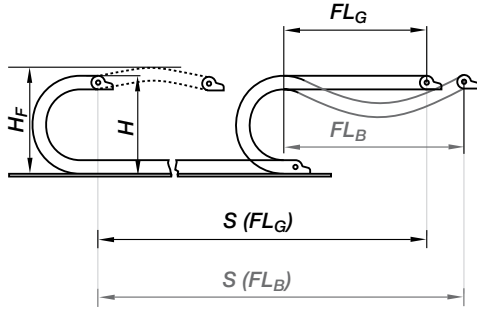
e-chain system® E-Z chain Series E08/Z08 Installation Dimensions



E08
Z08

Short travel, unsupported length

- FL_B = unsupported with permitted sag
 - FL_G = unsupported with straight upper run
- Further information ► Design, Chapter 1



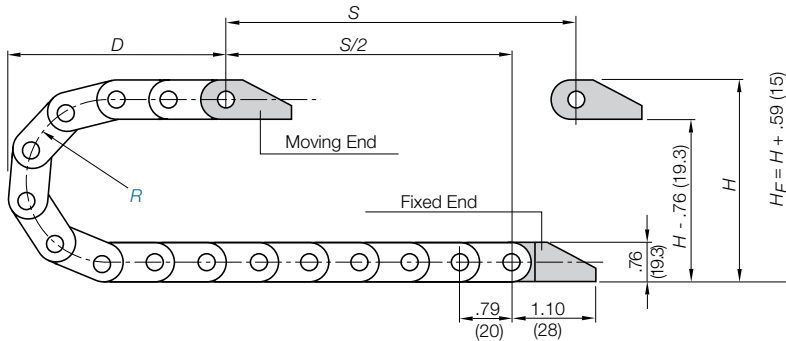
Short Travels - Unsupported



Unsupported E-Chains® feature positive camber over short travels. This must be accounted for when specifying the clearance height. Please refer to **Installation dimensions** for further details.

Legend

- S = Length of travel
- R = Bending radius
- H = Nominal clearance height
- D = Overlength e-chain® radius in final position
- $K = \pi \cdot R + \text{safety buffer}$
- H_F = Required clearance height



Pitch per link: = .79" (20 mm)
Links per ft (m): = 15.24 (50)
For center mount applications:
Chain length = $\frac{S}{2} + K$

The required clearance height: $H_F = H + .59$ in. (15 mm) (with .20 lbs/ft (0.3 kg/m) fill weight. Please consult igus® if space is particularly restricted.

R	1.10 (028)	1.50 (038)	1.89 (048)
H	2.95 (75)	3.74 (95)	4.53 (115)
D	2.68 (68)	3.07 (78)	3.46 (88)
K	5.12 (130)	6.30 (160)	7.68 (195)

Speed / acceleration FL_G	max. 65.6 ft/s (20 m/s) / max. 656 ft/s ² (200 m/s ²)
Speed / acceleration FL_B	max. 9.84 ft/s (3 m/s) / max. 19.69 ft/s ² (6 m/s ²)
Gliding speed / acceleration (maximum)	max. 9.84 ft/s (3 m/s) / max. 32.8 ft/s ² (10 m/s ²)
Material (e-chain®) - permitted temperature	igumid NB / -40°F (-40°C) up to +176°F (+80°C)
Material (mounting brackets)* - permitted temperature	igumid G / -40°F (-40°C) up to +248°F (+120°C)
Flammability Class (e-chain®), igumid NB	VDE 0304 IIC UL94 V2
Flammability Class (mounting brackets), igumid G*	VDE 0304 IIC UL94 HB

Technical Data



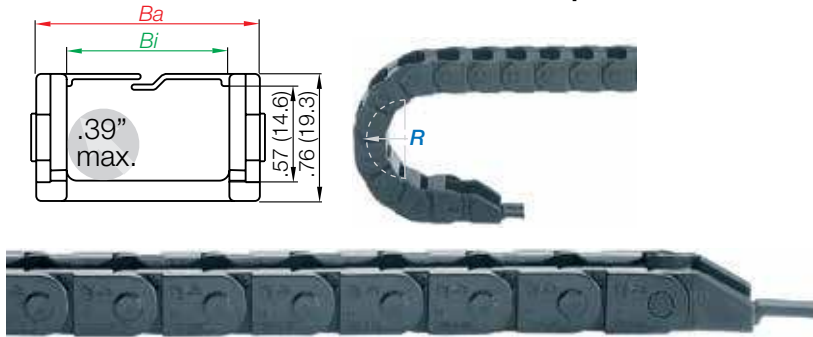
Details of material properties

► Chapter 1

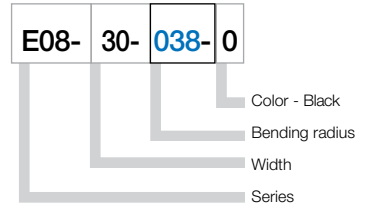
PDF: igus.com/e-chain-pdfs
Product information: igus.com/e-chains



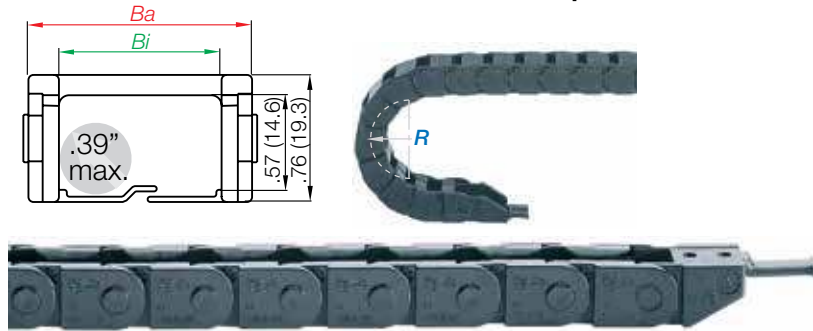
Series E08 - Split crossbar along the outer radius



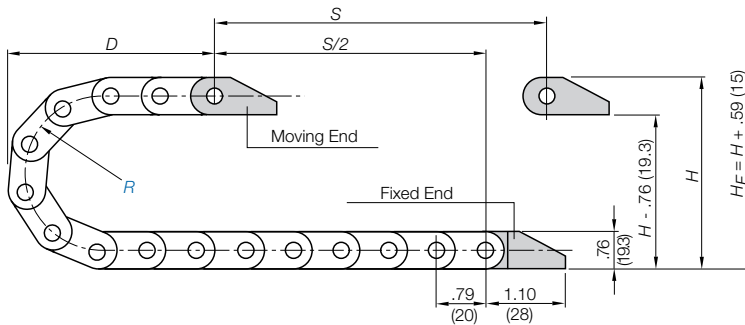
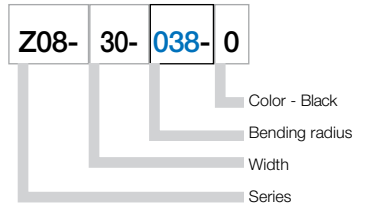
Part Number Structure



Series Z08 - Split crossbar along the inner radius



Part Number Structure



Supplement part number with required radius. Example: E08-10-038-0
Pitch: .79 in. (20 mm) per link links/ft (m) = 15.24 (50)

Part Number			Bi	Ba	Weight
Split Crossbar Outer Radius	Split Crossbar Inner Radius		in. (mm)	in. (mm)	lbs/ft (kg/m)
E08-10-	Z08-10-	<input type="checkbox"/> -0	.39 (10)	.72 (18.2)	≈ 0.14 (0.21)
E08-16-	Z08-16-	<input type="checkbox"/> -0	.63 (16)	.95 (24.2)	≈ 0.16 (0.24)
E08-20-	Z08-20-	<input type="checkbox"/> -0	.79 (20)	1.11 (28.2)	≈ 0.17 (0.25)
E08-30-	Z08-30-	<input type="checkbox"/> -0	1.18 (30)	1.50 (38.2)	≈ 0.19 (0.28)
E08-40-	Z08-40-	<input type="checkbox"/> -0	1.57 (40)	1.90 (48.2)	≈ 0.21 (0.31)
E08-50-	Z08-50-	<input type="checkbox"/> -0	1.97 (50)	2.29 (58.2)	≈ 0.25 (0.37)

Choose from the radii below for all of the above sizes
Radius (mm) Example: E08-10-038-0

	028	038	048
R	1.10 (28)	1.50 (38)	1.89 (48)
H	2.95 (75)	3.74 (95)	4.53 (115)
D	2.68 (68)	3.07 (78)	3.46 (88)
K	5.12 (130)	6.30 (160)	7.68 (195)

0=Standard color black. For other colors see Chapter 1

e-chain system® E-Z chain Series E08/Z08 Mounting Brackets

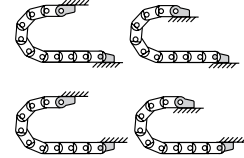
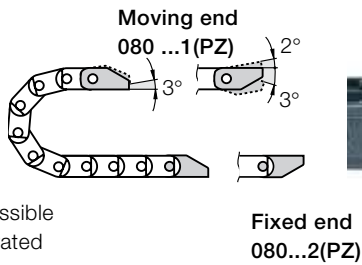


E08
Z08



Plastic, one-piece

- One-piece mounting bracket
- Corrosion resistant
- Available preassembled
- Inner and outer attachment possible
- Available with or without integrated strain relief tiwrap plates

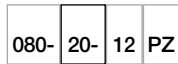


Possible installation configurations -

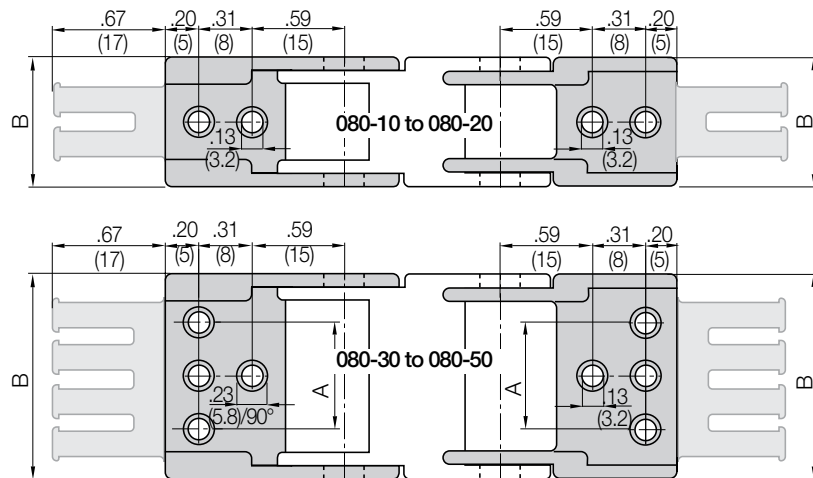
Dimensions and order configurations

Strain relief is possible on the moving end and/or the fixed end.

Part Number Structure



- With assembled strain relief tiwrap plates
- Complete Set
- Width
- Mounting brackets for selected chain type



Full set, for both ends:

080-20-12-PZ Full set, each part with pin/bore

Single-part order:

080-20-1-PZ Mounting bracket with bore

080-20-2-PZ Mounting bracket with pin

080-10-12 - 080-20-12: Center bores only

080-30-12 - 080-50-12: Outer bores only

Chain Type	Part No. Full set with Tiwrap Plate	Part No. Full Set without Tiwrap Plate	Dimension A		Dimensions B		Number of Teeth
			in.	(mm)	in.	(mm)	
E08/Z08-10	080-10-12PZ	080-10-12	—	—	.72	(18.2)	1
E08/Z08-16	080-16-12PZ	080-16-12	—	—	.95	(24.2)	2
E08/Z08-20	080-20-12PZ	080-20-12	—	—	1.11	(28.2)	2
E08/Z08-30	080-30-12PZ	080-30-12	.87	(22)	1.50	(38.2)	3
E08/Z08-40	080-40-12PZ	080-40-12	1.26	(32)	1.90	(48.2)	4
E08/Z08-50	080-50-12PZ	080-50-12	1.65	(42)	2.29	(58.2)	5

Additional Accessories



Quicksnap - the complete, detachable mounting unit, upon request

Part No.

080-20-QS

080-30-QS

PDF: igus.com/e-chain-pdfs
Product information: igus.com/e-chains

