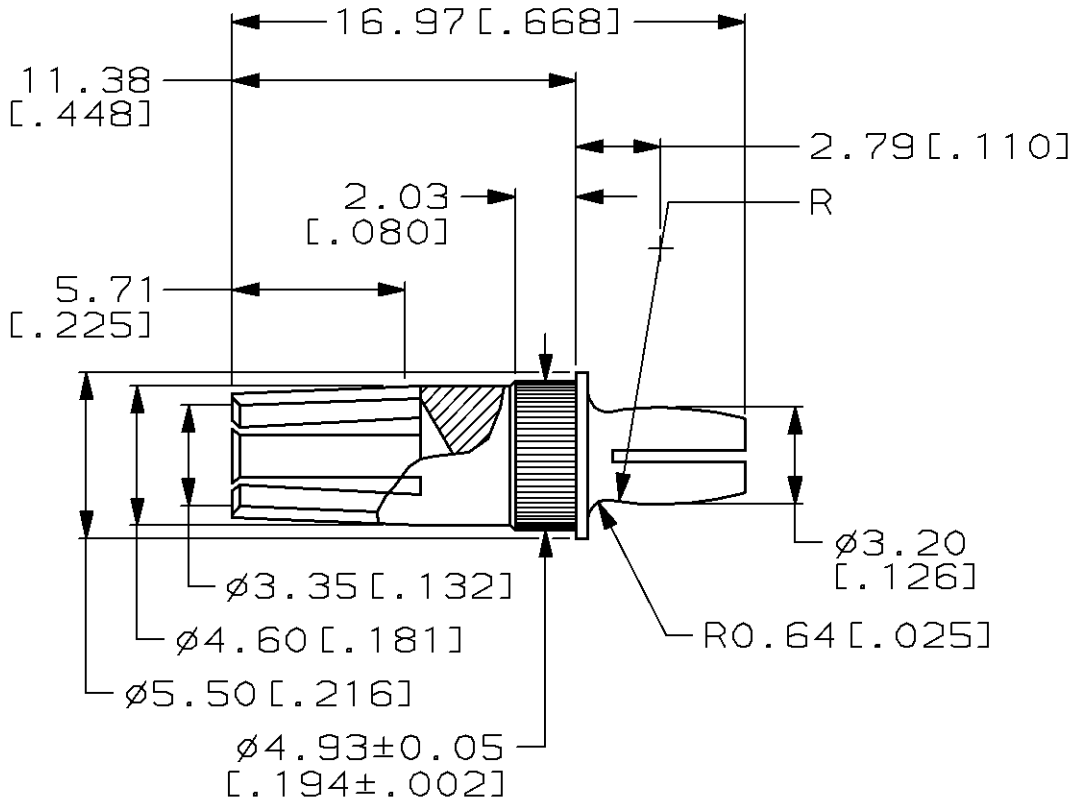


LOC AD	DIST 25	REVISIONS			
P	LTR	DESCRIPTION	DATE	DWN	APVD
	0	DRAWN; WAS 97-7200-019	-	-	-
	A	EC 0620-0177-98	9/29/98	LSB	RAP



RELEASED FOR PUBLICATION

THIS DRAWING IS UNPUBLISHED.

ALL RIGHTS RESERVED. BY AMP INCORPORATED. COPYRIGHT 19

0.00076 [.000030] GOLD	CONTACT; BERYLLIUM COPPER	148373-1
FINISH	MATERIAL	PART NUMBER

DIMENSIONS: mm	DWN L. BRINER 4/15/97	MATERIAL -	FINISH -
	CHK R. PATTERSON 4/15/97	AMP Incorporated Harrisburg, PA 17105-3608	
TOLERANCES UNLESS OTHERWISE SPECIFIED:	APVD R. PATTERSON 4/15/97		
0 PLC ±-	PRODUCT SPEC -	SIZE A4	CAGE CODE 00779
1 PLC ±-	APPLICATION SPEC -	DRAWING NO C=148373	RESTRICTED TO -
2 PLC ±0.13 [.005]	WEIGHT -	SCALE 4:1	SHEET 1 OF 1
3 PLC ±-		REV A	
4 PLC ±-			
ANGLES ±-	CUSTOMER DRAWING		