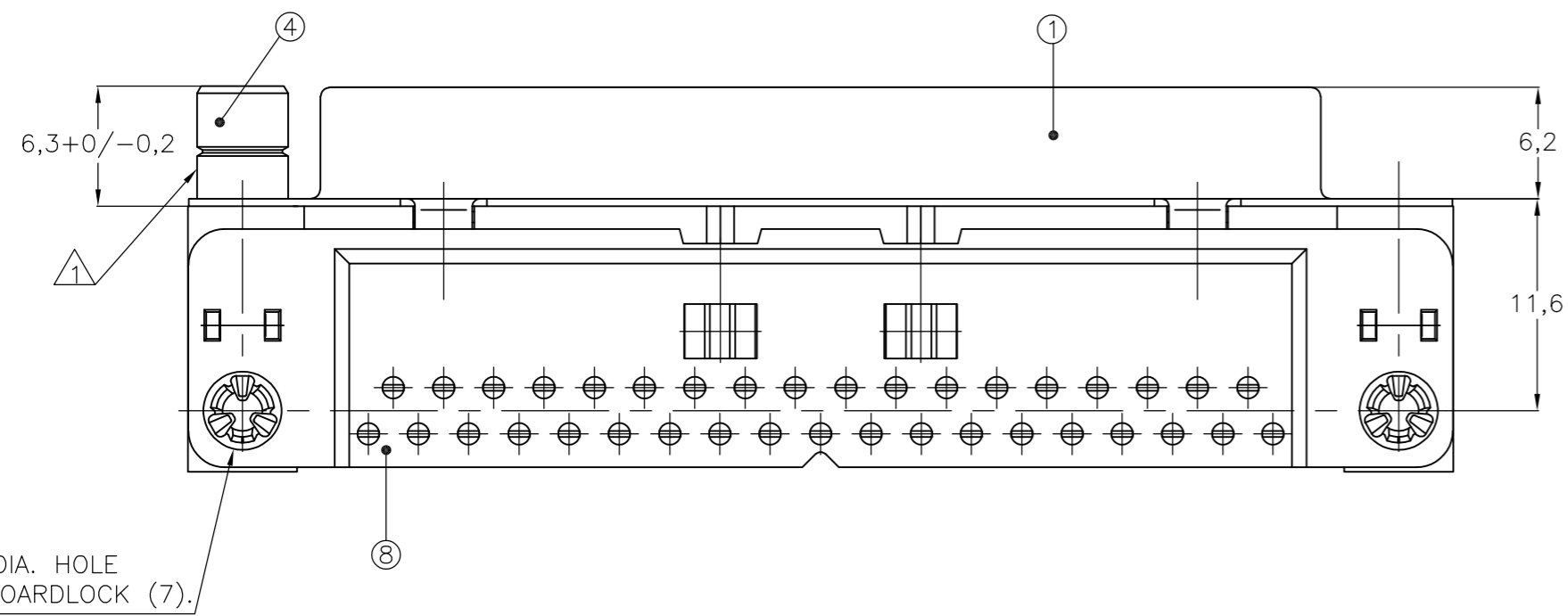
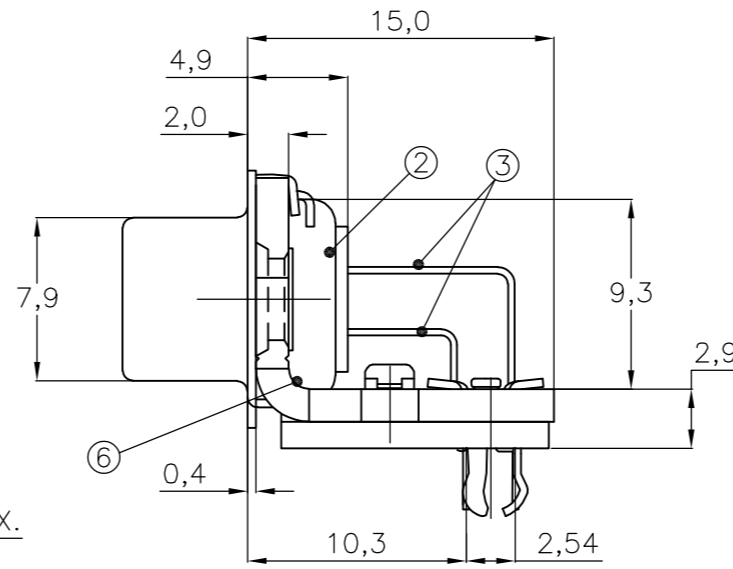
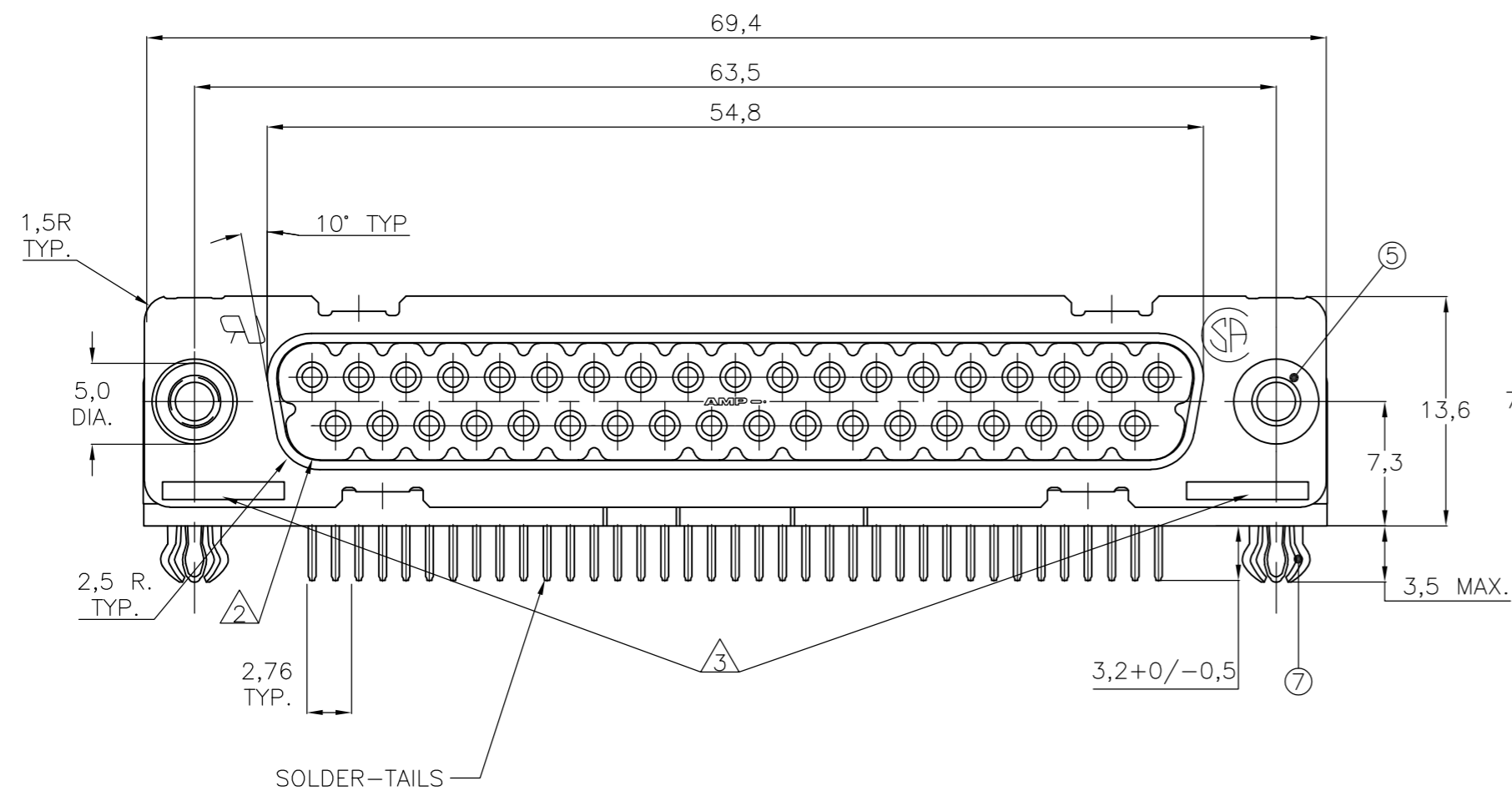


THIS DRAWING IS UNPUBLISHED. RELEASED FOR PUBLICATION  
 © COPYRIGHT - By - ALL RIGHTS RESERVED.

LOC	DIST	REVISIONS			
P	LTR	DESCRIPTION	DATE	DWN	APVD
GP	00	M	REVISED PER ECO-13-005652	01APR2013	CJV SLB

ITEM NO.	DESCRIPTION OF ACCESSORY	1	2	3	4	5	6	7	8	9
5	BUSHING WITH THROUGH-HOLE 3,1 DIA.	2				2				
5	BUSHING WITH INNER THREAD 4-40 UNC		2					2		
5	BUSHING WITH INNER THREAD M3			2					2	
4	FEMALE SCREWLOCK WITH 4-40 UNC				2					2
4	FEMALE SCREWLOCK WITH M3					2				2
7	BOARDLOCK	2	2	2	2	2				

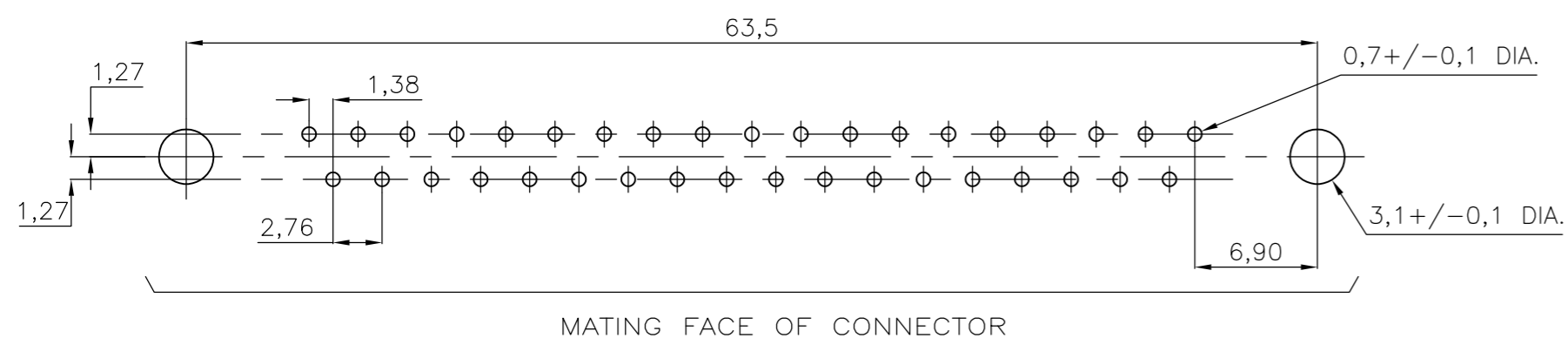


- ① GROOVE INDICATES VERSION WITH 4-40 UNC INNER THREAD; WITHOUT GROOVE INDICATES VERSION WITH M3 INNER THREAD.
- ② CAVITY IDENTIFICATION AT FRONT SIDE ONLY.
- ③ PARTNUMBER AND DATE CODE.
- 4. AIR AND CREEPAGE DISTANCES ACCORDING TO DIN 41652.
- 5. CONTACT FINISH: GOLD FLASH OVER PALLADIUM-NICKEL PLATE OR GOLD PLATE ON MATING SURFACES, TIN PLATE ON THE SOLDER-TAILS, NICKEL UNDERPLATE ON THE ENTIRE CONTACT. MATING SURFACE FINISH MEETS LEVEL 2 PERFORMANCE PER DIN 41652.

ITEM NO./MATERIAL :

- ① SHELL : BRIGHT TIN PLATED STEEL
- ② HOUSING : GLASS FILLED POLYESTER, COLOR : BLACK
- ③ CONTACTS : PHOSPHOR BRONZE (PLATING : SEE NOTES ABOVE)
- ④ FEMALE SCREWLOCK : TIN PLATED STEEL (INNER THREAD 4-40 UNC OR M3)
- ⑤ BUSHING : TIN PLATED STEEL (INNER THREAD 4-40 UNC OR M3 OR 3,1 DIA THROUGH-HOLE)
- ⑥ BRACKET : TIN PLATED STEEL
- ⑦ BOARDLOCK : TIN PLATED PHOSPHOR BRONZE
- ⑧ POST ALIGNMENT PLATE : GLASS FILLED NYLON. COLOR : BLACK

RECOMMENDED P.C. BOARD HOLE-LAYOUT



THIS DRAWING IS A CONTROLLED DOCUMENT. DIMENSIONING AND TOLERANCING PER ASME Y14.5M-2009		DWN D. KESSLER 14JAN99	TE Connectivity	
DIMENSIONS: mm		CHK W. SOOMERS		
TOLERANCES UNLESS OTHERWISE SPECIFIED:		APVD -	HD-20 SIZE 4 RIGHT ANGLE RECEPTACLE HEADER; MARK II+	
0 PLC ± -		PRODUCT SPEC -	SIZE A2	CAGE CODE 00779
1 PLC ± 0.3		APPLICATION SPEC -	DRAWING NO C=106508	RESTRICTED TO -
2 PLC ± 0.15		WEIGHT -	SCALE NTS	SHEET 1 OF 1
3 PLC ± -		CUSTOMER DRAWING	REV M	
4 PLC ± -				
ANGLES ± 2°				
FINISH				