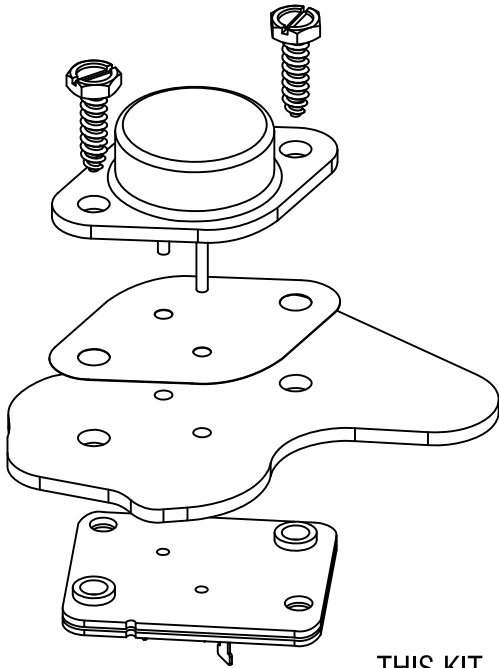


THIS DOCUMENT IS THE PROPERTY OF
KEYSTONE ELECTRONICS CORP. AND
SHALL NOT BE REPRODUCED, DISTRIBUTED
OR USED AS A BASIS FOR MANUFACTURE
WITHOUT PRIOR WRITTEN PERMISSION
FROM KEYSTONE ELECTRONICS CORP.



THIS KIT, 4733, CONTAINS THE FOLLOWING ITEMS:

PART NO.	DESCRIPTION	QUANTITY
4706	6-20 SCREW	2
4651	MICA INSULATOR	1
4608	SOCKET	1

KEYSTONE ELECTRONICS CORP.

www.keyelco.com • NEW HYDE PARK, NY 11040 • Tel (516) 328-7500

PART NAME

TO-3 TRANSISTOR SOCKET MOUNTING KIT

MATERIAL

AS NOTED

FINISH

AS NOTED

DRN BY

BOONE

DATE

1.26.07

APP'D

LN

SCALE

1X

TOLERANCES

INCH [MM]

DECIMAL $\pm .005$ [± 0.13]

CODE

C

DWG NO.

4733

ANGULAR $\pm 1^\circ$
UNLESS OTHERWISE SPECIFIED

DATE

DESCRIPTION

REV.