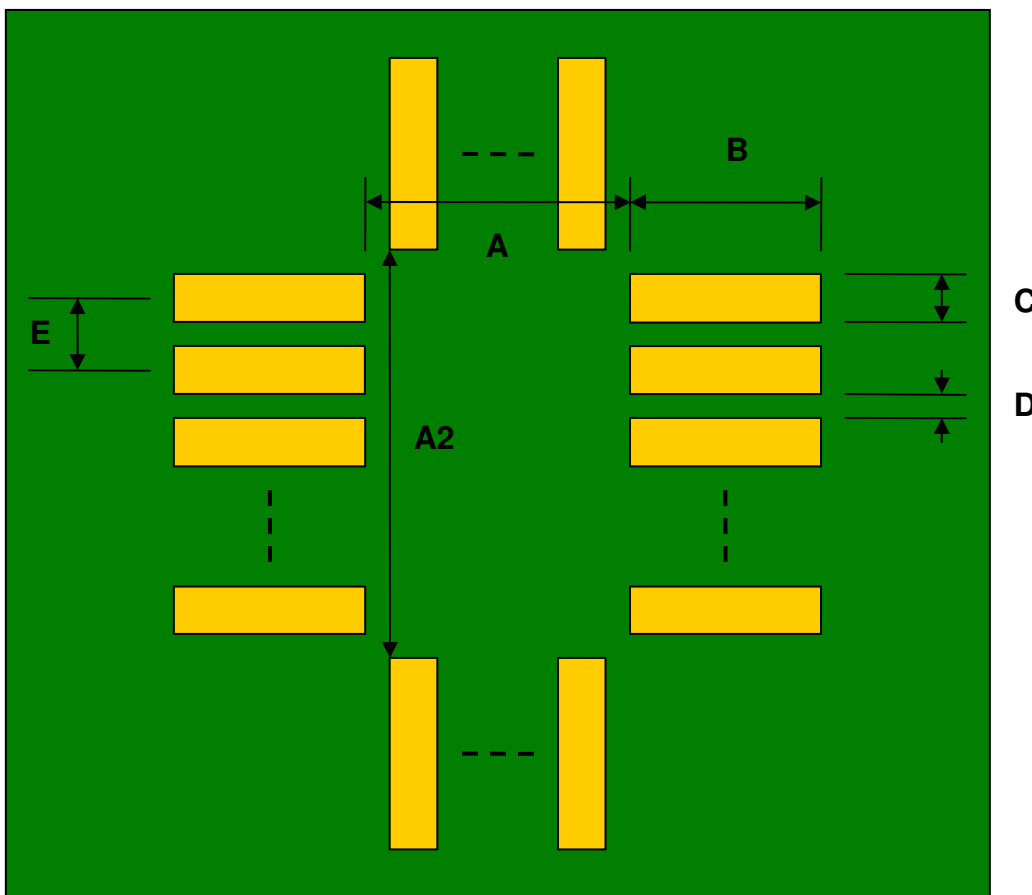


**Footprint 1 of 4: TQFP-48/LQFP-48/QFP-48  
to PGA-100 SMT Adapter (0.5 mm pitch, 7x7 mm body)**

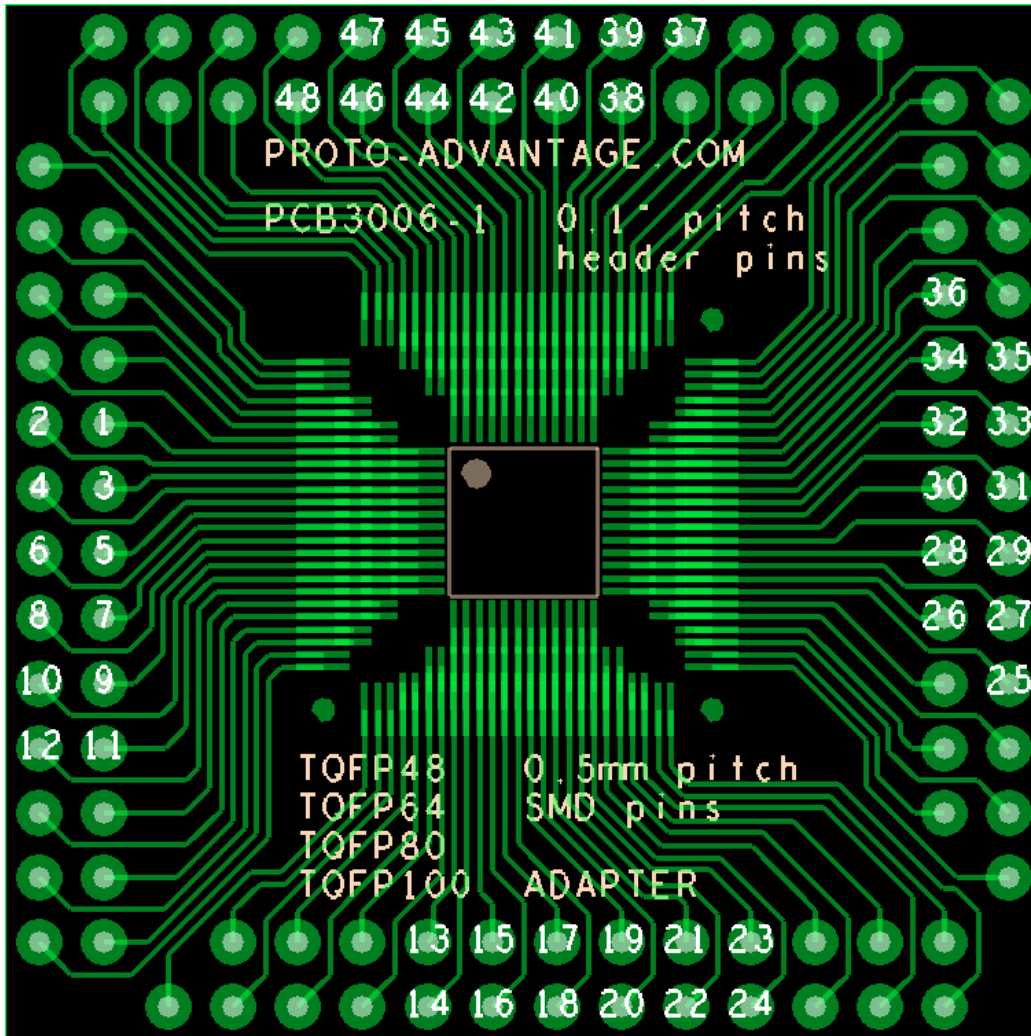
DIMENSIONS						
REF.	mm			inches		
	MIN.	TYP.	MAX.	MIN.	TYP.	MAX.
A		6.20				
A2		6.20				
B		2.10				
C		0.30				
D		0.20				
E		0.50				

Top View (SMT Footprint)



(Representative drawing only - not to scale)

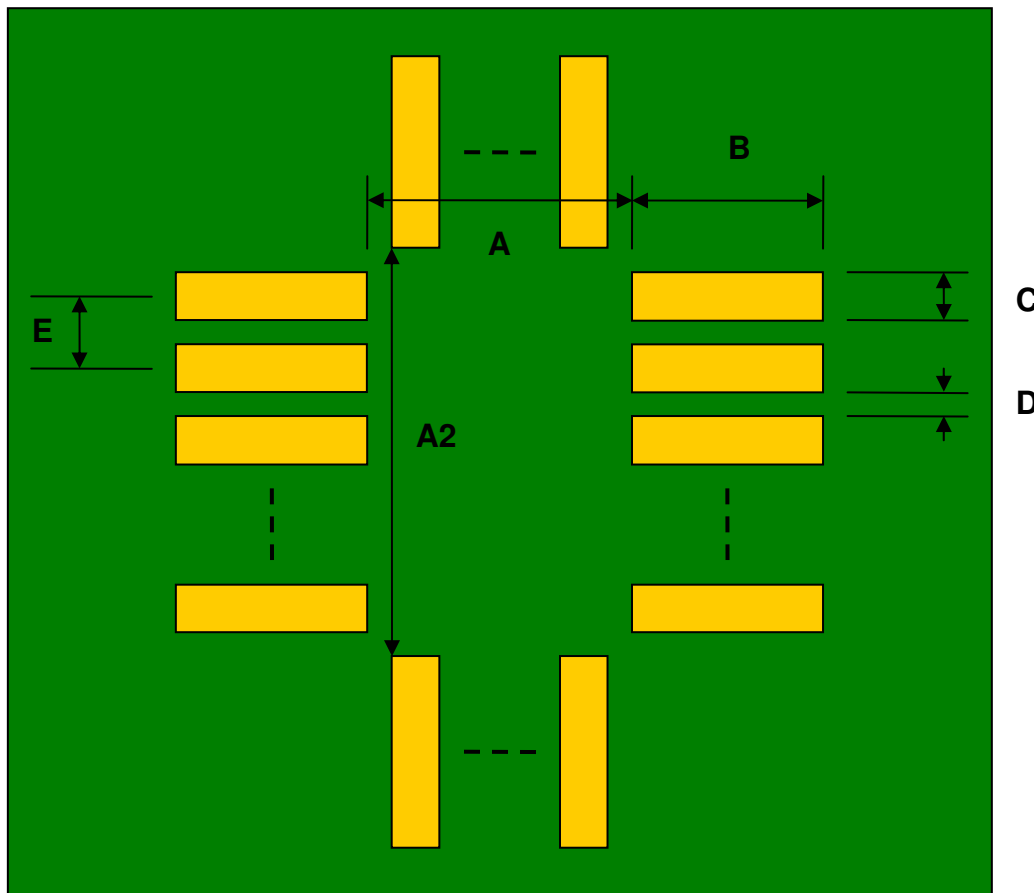
Pin Out 1 of 4: TQFP-48/LQFP-48/QFP-48  
to PGA-100 SMT Adapter (0.5 mm pitch, 7x7 mm body)



Footprint 2 of 4: TQFP-64/LQFP-64/QFP-64  
to PGA-100 SMT Adapter (0.5 mm pitch, 10x10 mm body)

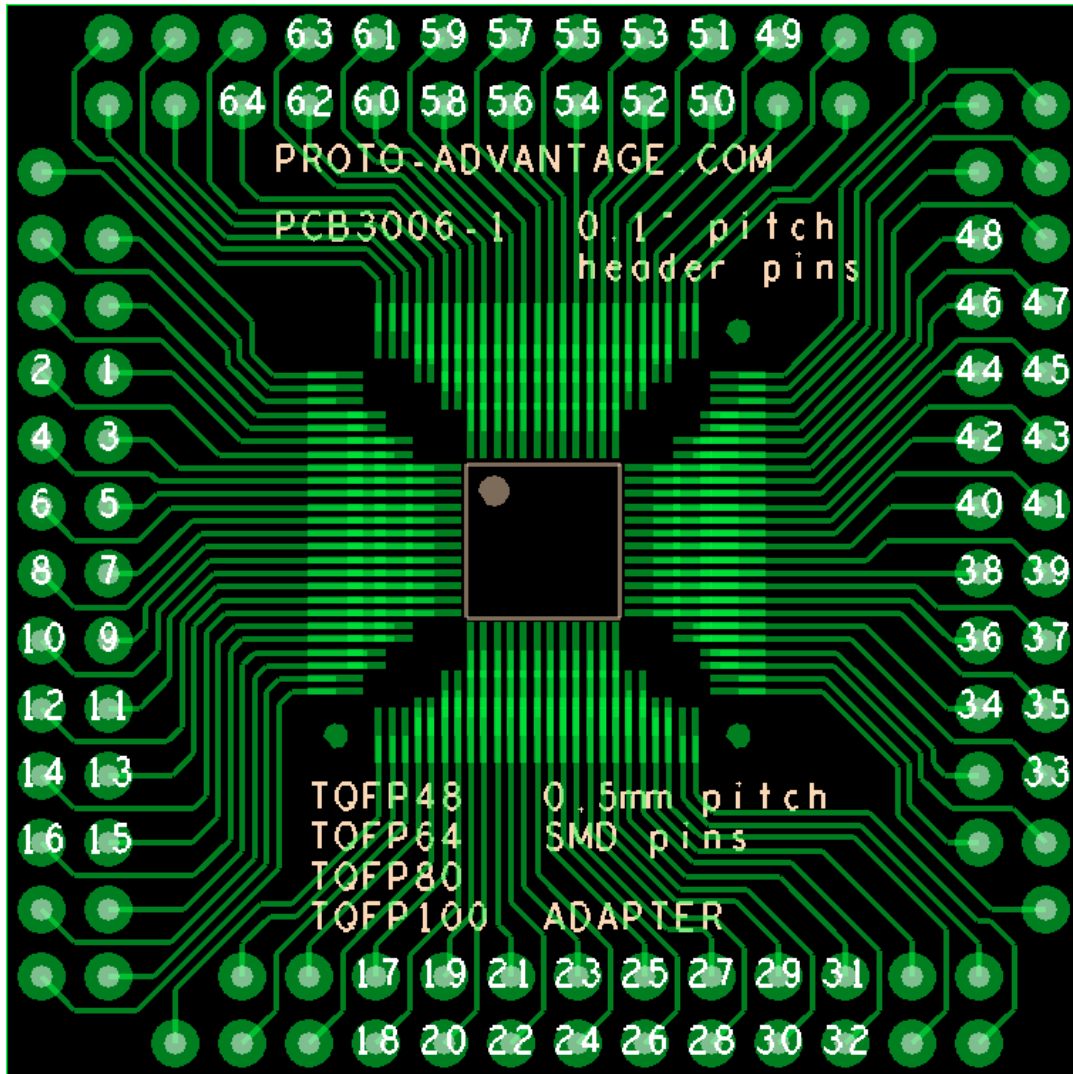
DIMENSIONS						
REF.	mm			inches		
	MIN.	TYP.	MAX.	MIN.	TYP.	MAX.
A		9.80				
A2		9.80				
B		1.50				
C		0.30				
D		0.20				
E		0.50				

Top View (SMT Footprint)



(Representative drawing only - not to scale)

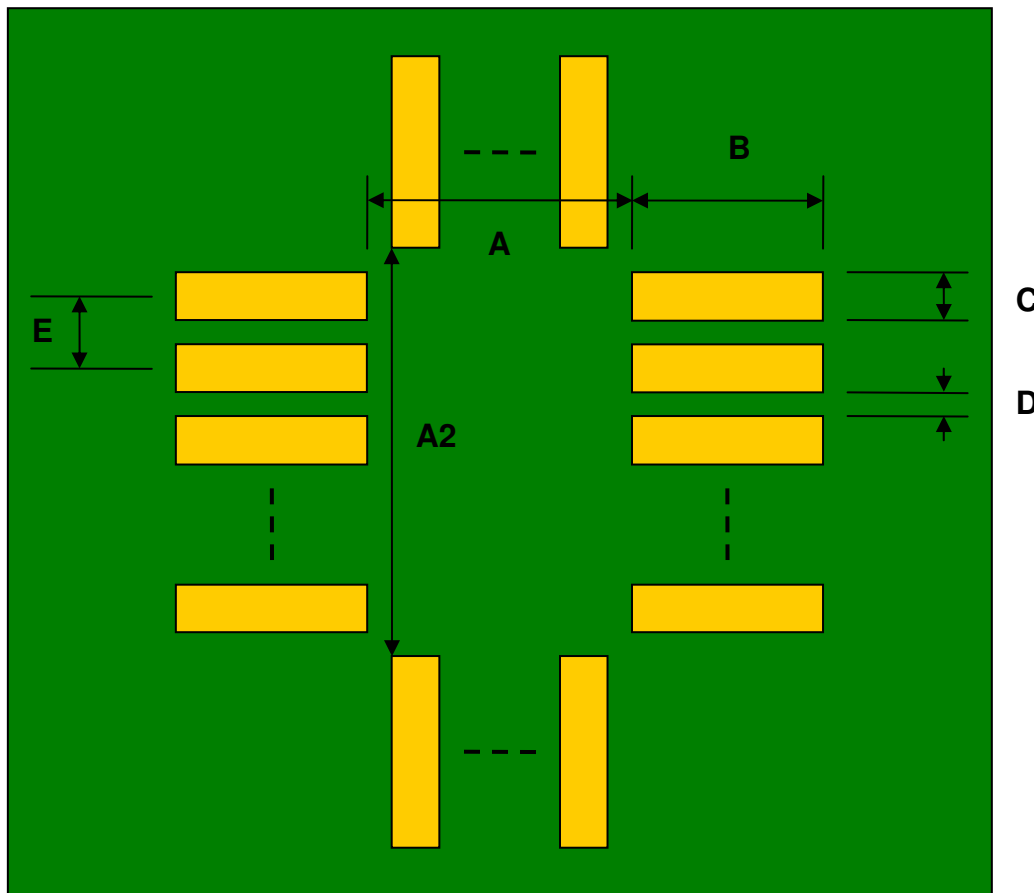
Pin Out 2 of 4: TQFP-64/LQFP-64/QFP-64  
to PGA-100 SMT Adapter (0.5 mm pitch, 10x10 mm body)



Footprint 3 of 4: TQFP-80/LQFP-80/QFP-80  
to PGA-100 SMT Adapter (0.5 mm pitch, 12x12 mm body)

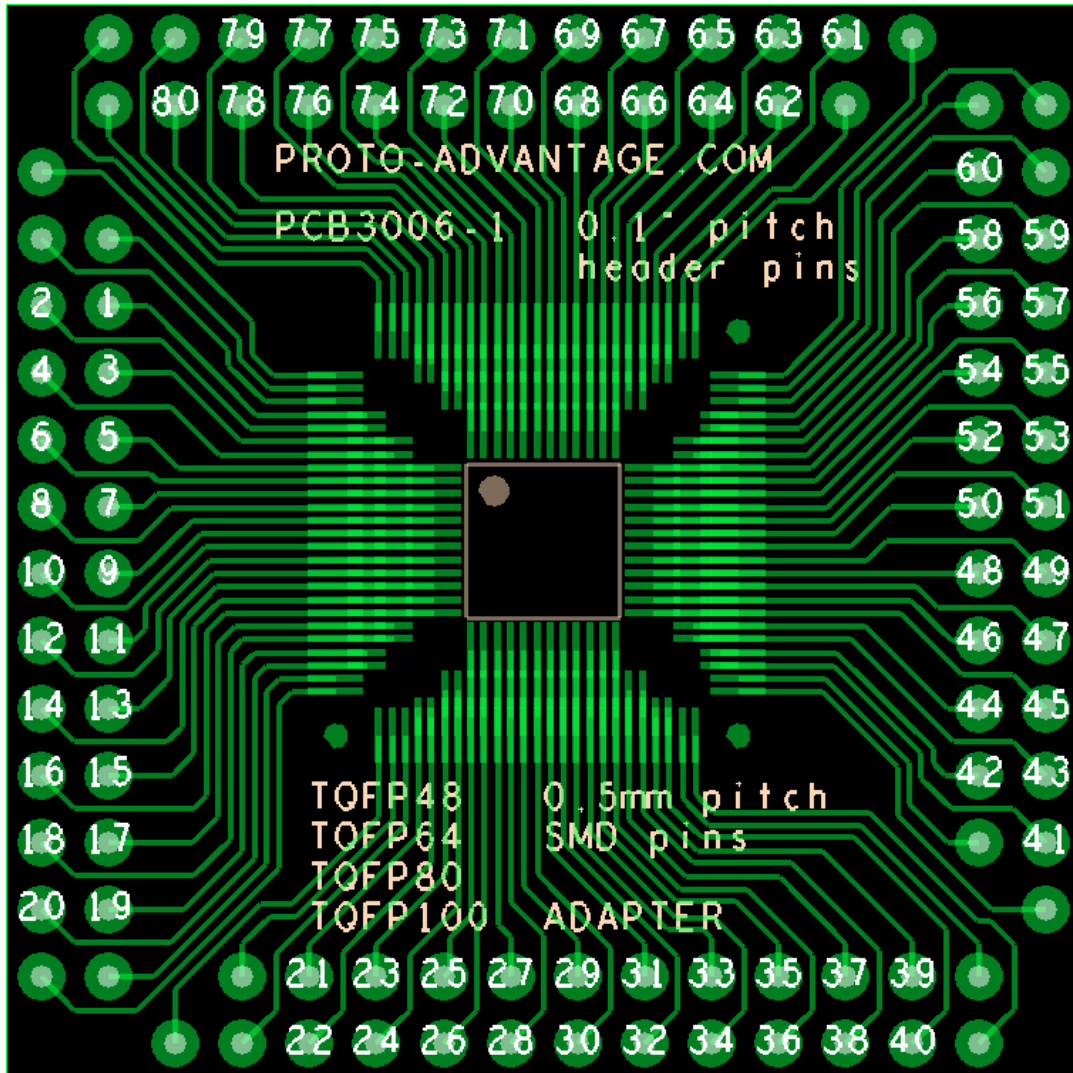
DIMENSIONS						
REF.	mm			inches		
	MIN.	TYP.	MAX.	MIN.	TYP.	MAX.
A		11.90				
A2		11.90				
B		1.50				
C		0.30				
D		0.20				
E		0.50				

Top View (SMT Footprint)



(Representative drawing only - not to scale)

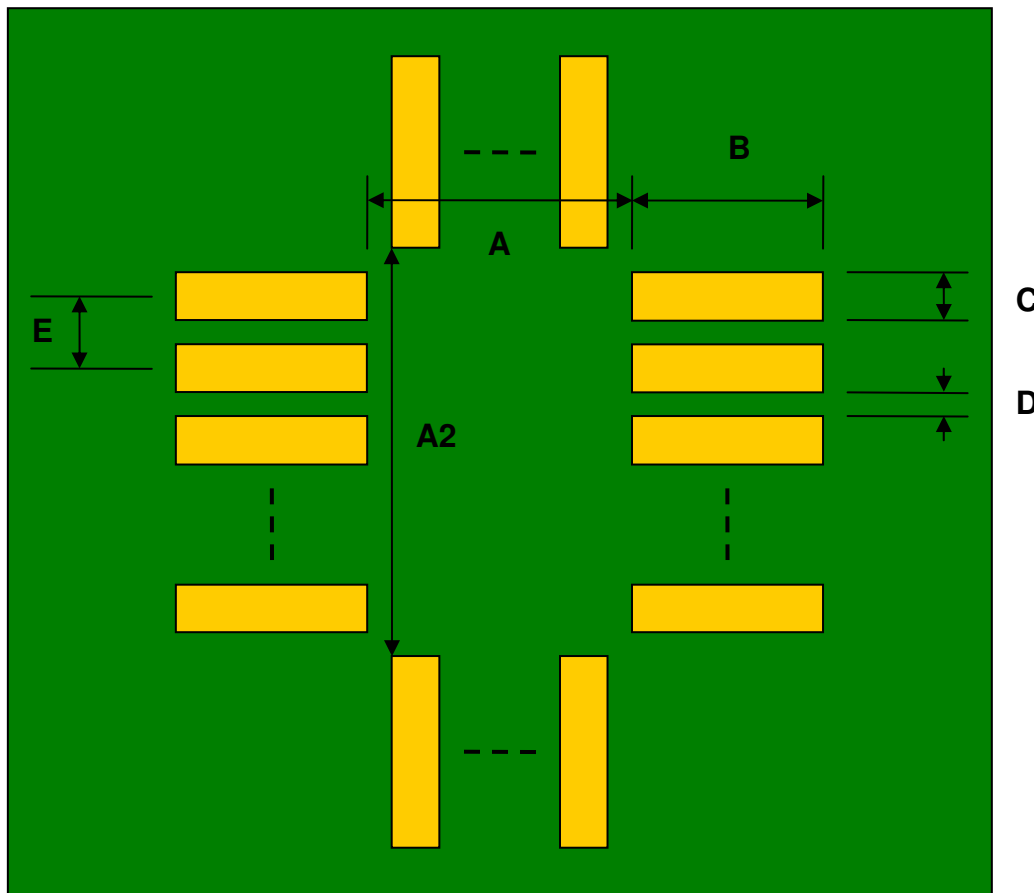
Pin Out 3 of 4: TQFP-80/LQFP-80/QFP-80  
to PGA-100 SMT Adapter (0.5 mm pitch, 12x12 mm body)



Footprint 4 of 4: TQFP-100/LQFP-100/QFP-100  
to PGA-100 SMT Adapter (0.5 mm pitch, 14x14mm body)

DIMENSIONS						
REF.	mm			inches		
	MIN.	TYP.	MAX.	MIN.	TYP.	MAX.
A		13.20				
A2		13.20				
B		2.10				
C		0.30				
D		0.20				
E		0.50				

Top View (SMT Footprint)



(Representative drawing only - not to scale)

Pin Out 4 of 4: TQFP-100/LQFP-100/QFP-100  
to PGA-100 SMT Adapter (0.5 mm pitch, 14x14mm body)

