

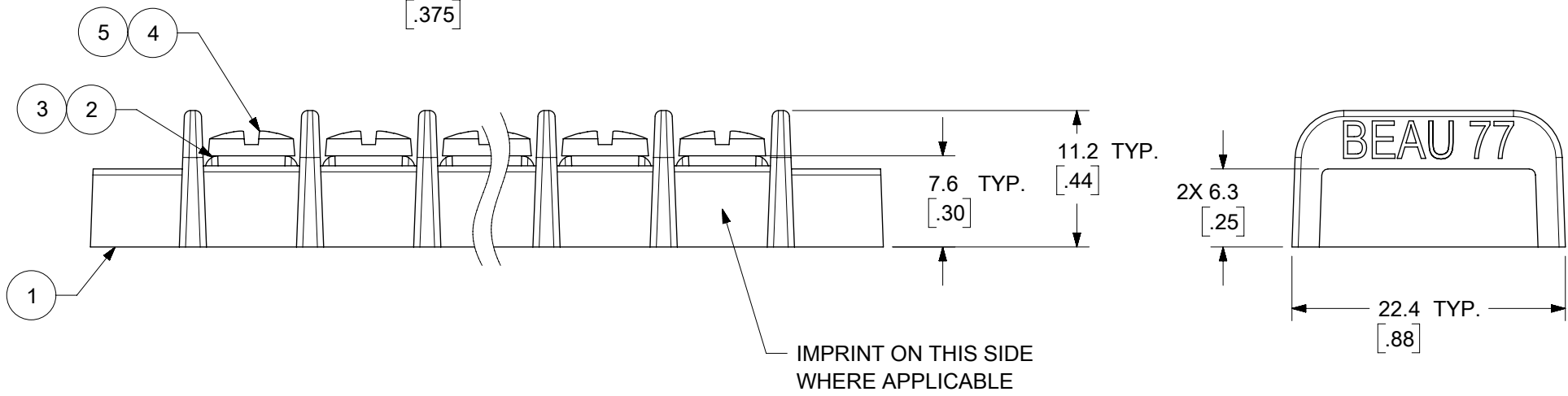
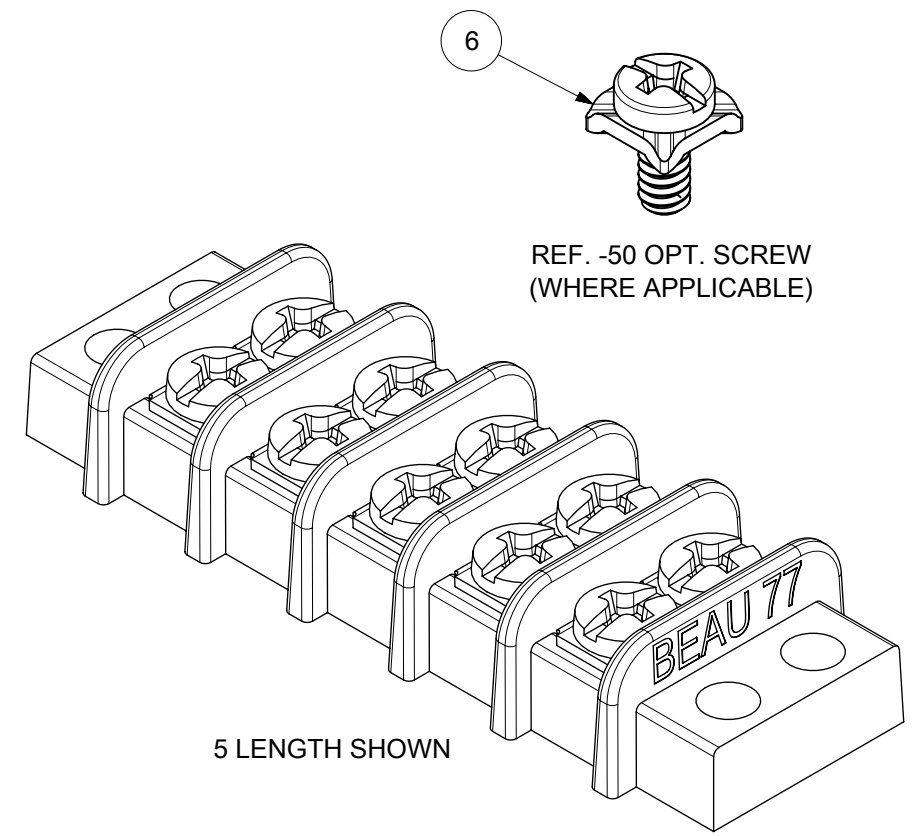
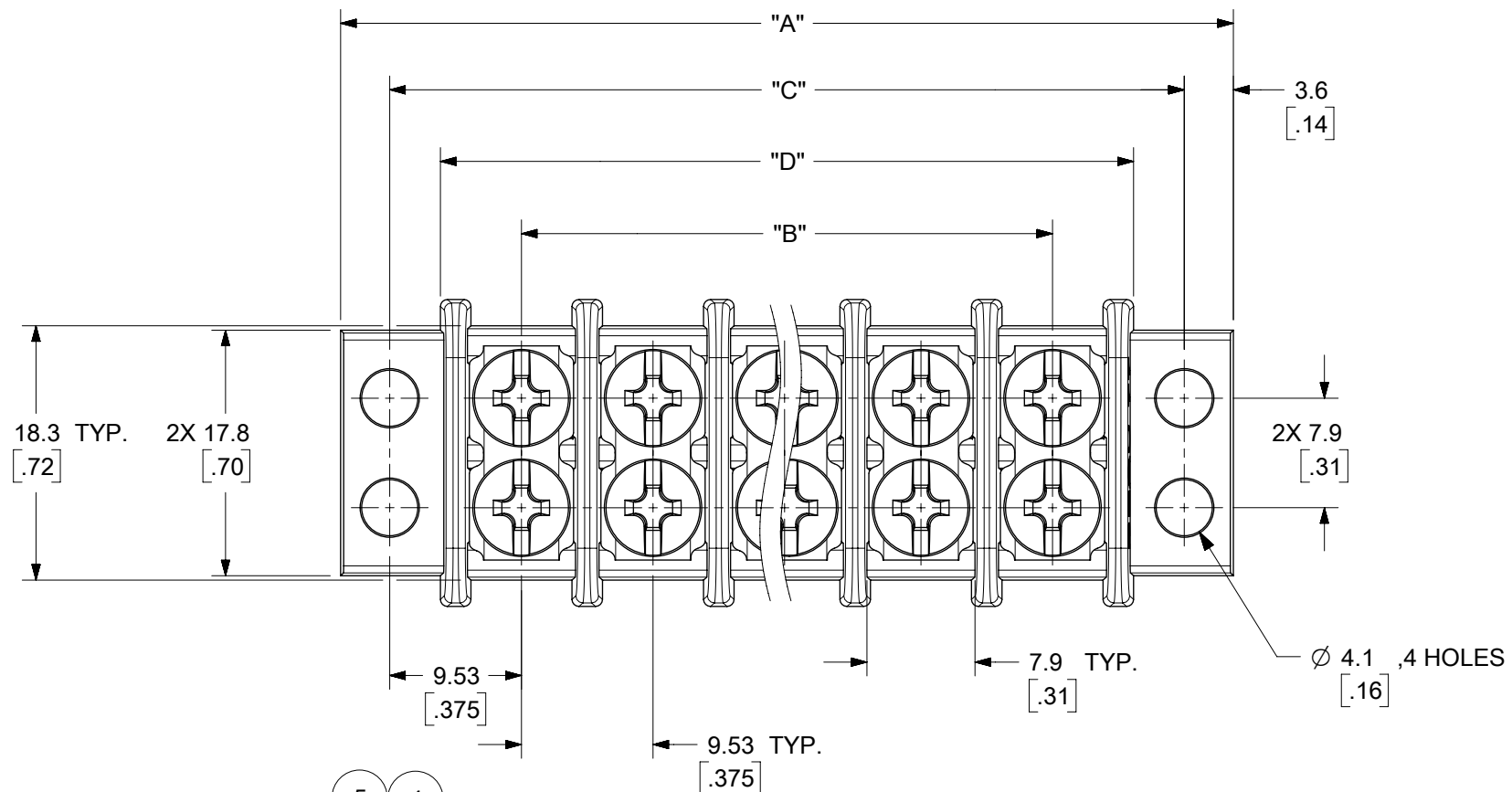


NO. OF CIRCUITS "XX"	DIM. "A"		DIM. "B"		DIM. "C"		DIM. "D"		ASSEMBLY MATERIAL NO. (STD.)	ASSEMBLY MATERIAL NO. (-45 OPTION)
	mm	INCH	mm	INCH	mm	INCH	mm	INCH		
2	35.7	[1.41]	9.53	[.375]	28.6	[1.13]	21.3	[.84]	387700102	387790314
3	45.2	[1.78]	19.05	[.750]	38.1	[1.50]	30.8	[1.21]	387700103	387790316
4	54.7	[2.16]	28.58	[1.125]	47.6	[1.88]	40.3	[1.59]	387700104	387790318
5	64.3	[2.53]	38.10	[1.500]	57.2	[2.25]	49.8	[1.96]	387700105	387790320
6	73.8	[2.91]	47.63	[1.875]	66.7	[2.63]	59.4	[2.34]	387700106	387790323
7	83.3	[3.28]	57.15	[2.250]	76.2	[3.00]	68.9	[2.71]	387700107	
8	92.8	[3.66]	66.68	[2.625]	85.7	[3.38]	78.4	[3.09]	387700108	387790326
9	102.4	[4.03]	76.20	[3.000]	95.3	[3.75]	87.9	[3.46]	387700109	387790328
10	111.9	[4.41]	85.73	[3.375]	104.8	[4.13]	97.5	[3.84]	387700110	
11	121.4	[4.78]	95.25	[3.750]	114.3	[4.50]	107.0	[4.21]	387700111	387790331
12	130.9	[5.16]	104.78	[4.125]	123.8	[4.88]	116.5	[4.59]	387700112	
13	140.5	[5.53]	114.30	[4.500]	133.4	[5.25]	126.0	[4.96]	387700113	
14	150.0	[5.91]	123.83	[4.875]	142.9	[5.63]	135.6	[5.34]	387700114	
15	159.5	[6.28]	133.35	[5.250]	152.4	[6.00]	145.1	[5.71]	387700115	
16	169.0	[6.66]	142.88	[5.625]	161.9	[6.38]	154.6	[6.09]	387700116	
17	178.6	[7.03]	152.40	[6.000]	171.5	[6.75]	164.1	[6.46]	387700117	
18	188.1	[7.41]	161.93	[6.375]	181.0	[7.13]	173.7	[6.84]	387700118	
19	197.6	[7.78]	171.45	[6.750]	190.5	[7.50]	183.2	[7.21]	387700119	
20	207.1	[8.16]	180.98	[7.125]	200.0	[7.88]	192.7	[7.59]	387700120	
21	216.7	[8.53]	190.50	[7.500]	209.6	[8.25]	202.2	[7.96]	387700121	
22	226.2	[8.91]	200.03	[7.875]	219.1	[8.63]	211.8	[8.34]	387700122	
23	235.7	[9.28]	209.55	[8.250]	228.6	[9.00]	221.3	[8.71]	387700123	
24	245.2	[9.66]	219.08	[8.625]	238.1	[9.38]	230.8	[9.09]	387700124	387790335
25	254.2	[10.03]	228.60	[9.000]	247.7	[9.75]	240.3	[9.46]	387700125	
26	264.3	[10.41]	238.13	[9.375]	257.2	[10.13]	249.9	[9.84]	387700126	
27	273.8	[10.78]	247.65	[9.750]	266.7	[10.50]	259.4	[10.21]	387700127	
28	283.3	[11.16]	257.18	[10.125]	276.2	[10.88]	268.9	[10.59]	387700128	
29	292.9	[11.53]	266.70	[10.500]	285.8	[11.25]	278.4	[10.96]	387700129	
30	302.4	[11.91]	276.23	[10.875]	295.3	[11.63]	288.0	[11.34]	387700130	

TOLERANCES			
MM	TOL	INCH	TOL
0-6	±0.25	0-.24	±.010
>6-30	±0.40	.24-1.18	±.016
>30-120	±0.50	1.18-4.76	±.020
>120	±0.80	>4.76	±.031

FUNCTIONAL SYMBOLS		THIS DRAWING CONTAINS INFORMATION THAT IS PROPRIETARY TO MOLEX ELECTRONIC TECHNOLOGIES, LLC AND SHOULD NOT BE USED WITHOUT WRITTEN PERMISSION																							
$\frac{E}{A} = 0$ $\frac{E}{E} = 0$ $\frac{E}{E} = 0$		DIMENSION UNITS: MM/INCH SCALE: 2:1 GENERAL TOLERANCES (UNLESS SPECIFIED) <table border="1"> <thead> <tr> <th></th> <th>MM</th> <th>INCH</th> </tr> </thead> <tbody> <tr> <td>4 PLACES</td> <td>± .0005</td> <td>± .0002</td> </tr> <tr> <td>3 PLACES</td> <td>± .0015</td> <td>± .0005</td> </tr> <tr> <td>2 PLACES</td> <td>± .0030</td> <td>± .0010</td> </tr> <tr> <td>1 PLACE</td> <td>± .0075</td> <td>± .0025</td> </tr> <tr> <td>0 PLACES</td> <td>± .0150</td> <td>± .0050</td> </tr> </tbody> </table>					MM	INCH	4 PLACES	± .0005	± .0002	3 PLACES	± .0015	± .0005	2 PLACES	± .0030	± .0010	1 PLACE	± .0075	± .0025	0 PLACES	± .0150	± .0050	CURRENT REV DESC: MIGRATED TO ECTR/NX & ADDED TOLERANCE TABLE EC NO: 640874 DRWN: ABENJAMINLW CHK'D: MBRZOZOWSKI APPR: JFMURPHY INITIAL REVISION: DRWN: CYORK APPR: grobertson	
	MM	INCH																							
4 PLACES	± .0005	± .0002																							
3 PLACES	± .0015	± .0005																							
2 PLACES	± .0030	± .0010																							
1 PLACE	± .0075	± .0025																							
0 PLACES	± .0150	± .0050																							
DIVISIONAL SYMBOLS		DRAFT WHERE APPLICABLE MUST REMAIN WITHIN DIMENSIONS 		PRODUCT CUSTOMER DRAWING DOCUMENT NUMBER: SD-38770-001 DOC TYPE: PSD DOC PART: 001 REVISION: C2																					
DOCUMENT STATUS: P1 RELEASE DATE: 2020/07/22 13:27:27		THIRD ANGLE PROJECTION DRAWING: B-SIZE SERIES: 38770		MATERIAL NUMBER: SEE CHART CUSTOMER: GENERAL MARKET SHEET NUMBER: 2 OF 2																					



- NOTES:
1. MATERIAL: SEE TABLE.
 2. FINISHES: SEE TABLE.
 3. INCH DIMS ARE SHOWN IN BRACKETS [XXX]
 4. "XX" REFERS TO THE QUANTITY OF CIRCUITS.
 5. -61 OPTION: ONE ROW OF SCREWS NOT SUPPLIED. SCREW QUANTITY = "XX".
 6. -49 OPTION: USE ITEM 3 TERMINAL PLATE, ALL OTHERS USE ITEM 2.
 7. -58 OPTION: NO SCREWS SUPPLIED.
 8. FOR IMPRINTING (-10A OPTION) SEE SD-38120-001.
 9. ALL COMPONENTS ARE ROHS COMPLIANT.

TOLERANCES			
MM	TOL	INCH	TOL
0-6	±0.25	0-.24	±.010
>6-30	±0.40	.24-1.18	±.016
>30-120	±0.50	1.18-4.76	±.020
>120	±0.80	>4.76	±.031

ITEM	QTY.	DESCRIPTION	MATERIAL	FINISH
6	XX*2	SCREW&WASHER, #6-32X.250, PAN, PHIL-SLOT (-50)	STEEL	ZINC W/CHROMATE
5	XX*2	SCREW, #6-32X.250, BHD, PHIL-SLOT (-49)	BRASS	NICKEL PLATE
4	XX*2	SCREW, #6-32X.250, BHD, PHIL-SLOT (STD &-61)	STEEL	ZINC W/CHROMATE
3	XX	TERMINAL PLATE, TIN PLATED (SEE NOTE 6)	BRASS	TIN PLATE
2	XX	TERMINAL PLATE, NICKEL PLATED	BRASS	NICKEL PLATE
1	1	INSULATOR	PBT	BLACK
ITEM	QTY.	DESCRIPTION	MATERIAL	FINISH

THIS DRAWING CONTAINS INFORMATION THAT IS PROPRIETARY TO MOLEX ELECTRONIC TECHNOLOGIES, LLC AND SHOULD NOT BE USED WITHOUT WRITTEN PERMISSION

FUNCTIONAL SYMBOLS: $\nabla_A = 0$, $\nabla_E = 0$, $\nabla_D = 0$

DIMENSION UNITS: MM/INCH, SCALE: 2:1

GENERAL TOLERANCES (UNLESS SPECIFIED): 4 PLACES ± --- ± ---, 3 PLACES ± --- ± SEE CHART, 2 PLACES ± SEE CHART ± SEE CHART, 1 PLACE ± SEE CHART ± ---, 0 PLACES ± --- ± ---

ANGULAR TOL: ± ---

DRAFT WHERE APPLICABLE MUST REMAIN WITHIN DIMENSIONS

THIRD ANGLE PROJECTION:

DRAWING: B-SIZE, SERIES: 38770

CURRENT REV DESC: MIGRATED TO ECTR/NX. ADDED THE OPPOSITE END PRODUCT VIEW WITH GRAPHICS.REMOVED OBSOLETE PNS AS PER PCN #512245

EC NO: 741427
 DRWN: ABENJAMINLW 2021/07/23
 CHK'D: DACHAMMER 2023/03/07
 APPR: JFMURPHY 2023/03/08

INITIAL REVISION:
 DRWN: CYORK 2006/08/30
 APPR: JMACNEIL 2006/08/31

MOLEX

9.53 [.375] DOUBLE ROW LOW PROFILE BTS ASSY

PRODUCT CUSTOMER DRAWING

DOCUMENT NUMBER: SD-38770-004, DOC TYPE: PSD, DOC PART: 001, REVISION: B2

MATERIAL NUMBER: SEE SHEET-2, CUSTOMER: GENERAL MARKET, SHEET NUMBER: 1 OF 2

NO. OF CIRCUITS "XX"	DIM. "A"		DIM. "B"		DIM. "C"		DIM. "D"		ASSEMBLY MATERIAL NO. (STANDARD)	ASSEMBLY MATERIAL NO. (-49 OPTION)	ASSEMBLY MATERIAL NO. (-50 OPTION)	ASSEMBLY MATERIAL NO. (-58 OPTION)	ASSEMBLY MATERIAL NO. (-10A OPTION)	ASSEMBLY MATERIAL NO. (-61 OPTION)
	mm	INCH	mm	INCH	mm	INCH	mm	INCH						
2	35.7	[1.41]	9.53	[.375]	28.58	[1.125]	21.3	[.84]	387700102	387700202	387700302	387700402	---	---
3	45.2	[1.78]	19.05	[.750]	38.10	[1.500]	30.8	[1.21]	387700103	387700203	387700303	387700403	387700503	387700603
4	54.7	[2.16]	28.58	[1.125]	47.63	[1.875]	40.3	[1.59]	387700104	---	387700304	387700404	387700504	---
5	64.3	[2.53]	38.10	[1.500]	57.15	[2.250]	49.8	[1.96]	387700105	387700205	387700305	387700405	387700505	---
6	73.8	[2.91]	47.63	[1.875]	66.68	[2.625]	59.4	[2.34]	387700106	387700206	387700306	387700406	387700506	---
7	83.3	[3.28]	57.15	[2.250]	76.20	[3.000]	68.9	[2.71]	387700107	387700207	387700307	387700407	---	---
8	92.8	[3.66]	66.68	[2.625]	85.73	[3.375]	78.4	[3.09]	387700108	---	387700308	387700408	387700508	387700608
9	102.4	[4.03]	76.20	[3.000]	95.25	[3.750]	87.9	[3.46]	387700109	387700209	387700309	387700409	---	387700609
10	111.9	[4.41]	85.73	[3.375]	104.78	[4.125]	97.5	[3.84]	387700110	---	387700310	---	---	---
11	121.4	[4.78]	95.25	[3.750]	114.30	[4.500]	107.0	[4.21]	387700111	---	---	387700411	387700511	387700611
12	130.9	[5.16]	104.78	[4.125]	123.83	[4.875]	116.5	[4.59]	387700112	387700212	387700312	387700412	---	387700612
13	140.5	[5.53]	114.30	[4.500]	133.35	[5.250]	126.0	[4.96]	387700113	---	---	387700413	387700513	387700613
14	150.0	[5.91]	123.83	[4.875]	142.88	[5.625]	135.6	[5.34]	387700114	---	387700314	387700414	---	387700614
15	159.5	[6.28]	133.35	[5.250]	152.40	[6.000]	145.1	[5.71]	387700115	---	---	---	387700515	387700615
16	169.0	[6.66]	142.88	[5.625]	161.93	[6.375]	154.6	[6.09]	387700116	---	387700316	---	---	387700616
17	178.6	[7.03]	152.40	[6.000]	171.45	[6.750]	164.1	[6.46]	---	---	---	---	387700517	387700617
18	188.1	[7.41]	161.93	[6.375]	180.98	[7.125]	173.7	[6.84]	387700118	---	---	---	---	387700618
19	197.6	[7.78]	171.45	[6.750]	190.50	[7.500]	183.2	[7.21]	---	---	---	---	387700519	387700619
20	207.1	[8.16]	180.98	[7.125]	200.03	[7.875]	192.7	[7.59]	387700120	---	387700320	---	---	387700620
21	216.7	[8.53]	190.50	[7.500]	209.55	[8.250]	202.2	[7.96]	---	---	---	---	387700521	387700621
22	226.2	[8.91]	200.03	[7.875]	219.08	[8.625]	211.8	[8.34]	387700122	---	---	---	387700522	387700622
23	235.7	[9.28]	209.55	[8.250]	228.60	[9.000]	221.3	[8.71]	---	---	---	---	387700523	387700623
24	245.2	[9.66]	219.08	[8.625]	238.13	[9.375]	230.8	[9.09]	387700124	---	---	---	387700524	387700624
25	254.2	[10.03]	228.60	[9.000]	247.65	[9.750]	240.3	[9.46]	---	---	---	---	387700525	387700625
26	264.3	[10.41]	238.13	[9.375]	257.18	[10.125]	249.9	[9.84]	---	---	---	---	387700526	387700626
27	273.8	[10.78]	247.65	[9.750]	266.70	[10.500]	259.4	[10.21]	---	---	---	---	387700527	387700627
28	283.3	[11.16]	257.18	[10.125]	276.23	[10.875]	268.9	[10.59]	---	---	---	---	---	387700628
29	292.9	[11.53]	266.70	[10.500]	285.75	[11.250]	278.4	[10.96]	---	---	---	---	387700529	387700629
30	302.4	[11.91]	276.23	[10.875]	295.28	[11.625]	288.0	[11.34]	387700130	---	387700330	---	---	387700630

TOLERANCES			
MM	TOL	INCH	TOL
0-6	±0.25	0-.24	±.010
>6-30	±0.40	.24-1.18	±.016
>30-120	±0.50	1.18-4.76	±.020
>120	±0.80	>4.76	±.031

FUNCTIONAL SYMBOLS	THIS DRAWING CONTAINS INFORMATION THAT IS PROPRIETARY TO MOLEX ELECTRONIC TECHNOLOGIES, LLC AND SHOULD NOT BE USED WITHOUT WRITTEN PERMISSION	
FA = 0	DIMENSION UNITS: MM/INCH	SCALE: 2:1
FE = 0	CURRENT REV DESC: MIGRATED TO ECTR/NX. ADDED THE OPPOSITE END PRODUCT VIEW WITH GRAPHICS.REMOVED OBSOLETE PNS AS PER PCN #512245	
FE = 0	GENERAL TOLERANCES (UNLESS SPECIFIED)	
	MM	INCH
	4 PLACES ± --- ± ---	
	3 PLACES ± --- ± SEE CHART	
	2 PLACES ± SEE CHART ± SEE CHART	
	1 PLACE ± SEE CHART ± ---	
	0 PLACES ± --- ± ---	
DIVISIONAL SYMBOLS	ANGULAR TOL ± ---	
	DRAFT WHERE APPLICABLE MUST REMAIN WITHIN DIMENSIONS	
	THIRD ANGLE PROJECTION	DRAWING: B-SIZE
	SERIES: 38770	
	MATERIAL NUMBER: SEE CHART	CUSTOMER: GENERAL MARKET
	SHEET NUMBER: 2 OF 2	

molex		
9.53 [.375] DOUBLE ROW LOW PROFILE BTS ASSY		
PRODUCT CUSTOMER DRAWING		
DOCUMENT NUMBER	DOC TYPE	DOC PART
SD-38770-004	PSD	001
REVISION		
B2		

NO. OF CIRCUITS	DIM. "A"		DIM. "B"		DIM. "C"		DIM. "D"		ASSEMBLY MATERIAL NO. (STANDARD)	ASSEMBLY MATERIAL NO. (-49 OPTION)	ASSEMBLY MATERIAL NO. (-50 OPTION)	ASSEMBLY MATERIAL NO. (-58 OPTION)	ASSEMBLY MATERIAL NO. (-10A OPTION)	ASSEMBLY MATERIAL NO. (-61 OPTION)
	mm	in	mm	in	mm	in	mm	in						
02	35.7	1.41	9.53	0.375	28.58	1.125	21.3	0.84	38770-0102	38770-0202	38770-0302	38770-0402	38770-0502	38770-0602
03	45.2	1.78	19.05	0.750	38.10	1.500	30.8	1.21	38770-0103	38770-0203	38770-0303	38770-0403	38770-0503	38770-0603
04	54.7	2.16	28.58	1.125	47.63	1.875	40.3	1.59	38770-0104	38770-0204	38770-0304	38770-0404	38770-0504	38770-0604
05	64.3	2.53	38.10	1.500	57.15	2.250	49.8	1.96	38770-0105	38770-0205	38770-0305	38770-0405	38770-0505	38770-0605
06	73.8	2.91	47.63	1.875	66.68	2.625	59.4	2.34	38770-0106	38770-0206	38770-0306	38770-0406	38770-0506	38770-0606
07	83.3	3.28	57.15	2.250	76.20	3.000	68.9	2.71	38770-0107	38770-0207	38770-0307	38770-0407	38770-0507	38770-0607
08	92.8	3.66	66.68	2.625	85.73	3.375	78.4	3.09	38770-0108	38770-0208	38770-0308	38770-0408	38770-0508	38770-0608
09	102.4	4.03	76.20	3.000	95.25	3.750	87.9	3.46	38770-0109	38770-0209	38770-0309	38770-0409	38770-0509	38770-0609
10	111.9	4.41	85.73	3.375	104.78	4.125	97.5	3.84	38770-0110	38770-0210	38770-0310	38770-0410	38770-0510	38770-0610
11	121.4	4.78	95.25	3.750	114.30	4.500	107.0	4.21	38770-0111	38770-0211	38770-0311	38770-0411	38770-0511	38770-0611
12	130.9	5.16	104.78	4.125	123.83	4.875	116.5	4.59	38770-0112	38770-0212	38770-0312	38770-0412	38770-0512	38770-0612
13	140.5	5.53	114.30	4.500	133.35	5.250	126.0	4.96	38770-0113	38770-0213	38770-0313	38770-0413	38770-0513	38770-0613
14	150.0	5.91	123.83	4.875	142.88	5.625	135.6	5.34	38770-0114	38770-0214	38770-0314	38770-0414	38770-0514	38770-0614
15	159.5	6.28	133.35	5.250	152.40	6.000	145.1	5.71	38770-0115	38770-0215	38770-0315	38770-0415	38770-0515	38770-0615
16	169.0	6.66	142.88	5.625	161.93	6.375	154.6	6.09	38770-0116	38770-0216	38770-0316	38770-0416	38770-0516	38770-0616
17	178.6	7.03	152.40	6.000	171.45	6.750	164.1	6.46	38770-0117	38770-0217	38770-0317	38770-0417	38770-0517	38770-0617
18	188.1	7.41	161.93	6.375	180.89	7.125	173.7	6.84	38770-0118	38770-0218	38770-0318	38770-0418	38770-0518	38770-0618
19	197.6	7.78	171.45	6.750	190.50	7.500	183.2	7.21	38770-0119	38770-0219	38770-0319	38770-0419	38770-0519	38770-0619
20	207.1	8.16	180.89	7.125	200.03	7.875	192.7	7.59	38770-0120	38770-0220	38770-0320	38770-0420	38770-0520	38770-0620
21	216.7	8.53	190.50	7.500	209.55	8.250	202.2	7.96	38770-0121	38770-0221	38770-0321	38770-0421	38770-0521	38770-0621
22	226.2	8.91	200.03	7.875	219.08	8.625	211.8	8.34	38770-0122	38770-0222	38770-0322	38770-0422	38770-0522	38770-0622
23	235.7	9.28	209.55	8.250	228.60	9.000	221.3	8.71	38770-0123	38770-0223	38770-0323	38770-0423	38770-0523	38770-0623
24	245.2	9.66	219.08	8.625	238.13	9.375	230.8	9.09	38770-0124	38770-0224	38770-0324	38770-0424	38770-0524	38770-0624
25	254.8	10.03	228.60	9.000	247.65	9.750	240.3	9.46	38770-0125	38770-0225	38770-0325	38770-0425	38770-0525	38770-0625
26	264.3	10.41	238.13	9.375	257.18	10.125	249.9	9.84	38770-0126	38770-0226	38770-0326	38770-0426	38770-0526	38770-0626
27	273.8	10.78	247.65	9.750	266.70	10.500	259.4	10.21	38770-0127	38770-0227	38770-0327	38770-0427	38770-0527	38770-0627
28	283.3	11.16	257.18	10.125	276.23	10.875	268.9	10.59	38770-0128	38770-0228	38770-0328	38770-0428	38770-0528	38770-0628
29	292.9	11.53	266.70	10.500	285.75	11.250	278.4	10.96	38770-0129	38770-0229	38770-0329	38770-0429	38770-0529	38770-0629
30	302.4	11.91	276.23	10.875	295.28	11.625	288.0	11.34	38770-0130	38770-0230	38770-0330	38770-0430	38770-0530	38770-0630

TOLERANCES			
MM	TOL	INCH	TOL
0-6	±0.25	0-.24	±0.010
>6-30	±0.40	.24-1.18	±0.016
>30-120	±0.50	1.18-4.76	±0.020
>120	±0.80	>4.76	±0.031

RPM T201844875
 EC NO: PG2018-0437
 DRAWN: ABENJAMIN W 2018/03/21
 CHKD:
 APPR: TWOLFEGEBRLE 2018/03/23

QUALITY SYMBOLS

 DESCRIPTION
 REV

GENERAL TOLERANCES (UNLESS SPECIFIED)

	mm	INCH
4 PLACES	±---	±---
3 PLACES	±---	±---
2 PLACES	±---	±---
1 PLACE	±---	±---
ANGULAR ±---°		

DRAFT WHERE APPLICABLE
 MUST REMAIN WITHIN DIMENSIONS

DIMENSION STYLE
MM/IN

DRAWN BY DATE
 C. YORK 2006/08/11

CHECKED BY DATE
 J. MACNEIL 2006/08/11

APPROVED BY DATE
 R. DEROSS 2006/08/11

MATERIAL NO.

SIZE
B

SCALE
2:1

DESIGN UNITS
INCH

THIRD ANGLE PROJECTION

9.53 [3.75] DOUBLE ROW
 LOW PROFILE BTS ASSY

MOLEX INCORPORATED

DOCUMENT NO.
SD-38770-004

SHEET NO.
2 OF 2

THIS DRAWING CONTAINS INFORMATION THAT IS PROPRIETARY TO MOLEX INCORPORATED AND SHOULD NOT BE USED WITHOUT WRITTEN PERMISSION