

HC-A-PE-PT - Adapter



1054712

<https://www.phoenixcontact.com/pc/products/1054712>

Please be informed that the data shown in this PDF document is generated from our online catalog. Please find the complete data in the user documentation. Our general terms of use for downloads are valid.



PE adapter with PT connection, for 1 PE connection, for HC-A10 / HC-A16 / HC-D15 / HC-D25 series contact inserts

Commercial data

Item number	1054712
Packing unit	2 pc
Minimum order quantity	1 pc
Product key	BF7ABZ
GTIN	4063151096977
Weight per piece (including packing)	7.47 g
Weight per piece (excluding packing)	7.4 g
Customs tariff number	85369010
Country of origin	CN

HC-A-PE-PT - Adapter

1054712

<https://www.phoenixcontact.com/pc/products/1054712>



Technical data

Product properties

Product type	Adapter
--------------	---------

HC-A-PE-PT - Adapter

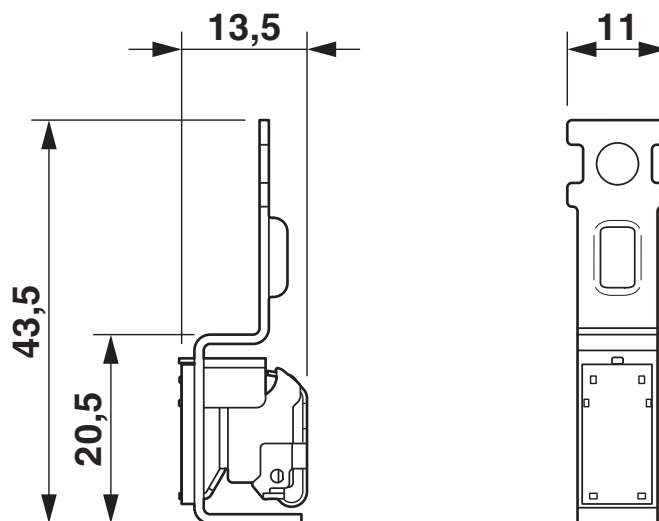
1054712

<https://www.phoenixcontact.com/pc/products/1054712>



Drawings

Dimensional drawing



HC-A-PE-PT - Adapter

1054712

<https://www.phoenixcontact.com/pc/products/1054712>



Classifications

ECLASS

ECLASS-11.0	27440192
ECLASS-12.0	27440192
ECLASS-13.0	27440192

ETIM

ETIM 8.0	EC002943
----------	----------

UNSPSC

UNSPSC 21.0	39121400
-------------	----------

HC-A-PE-PT - Adapter

1054712

<https://www.phoenixcontact.com/pc/products/1054712>



Environmental product compliance

China RoHS	Environmentally friendly use period: unlimited = EFUP-e No hazardous substances above threshold values
------------	---

Phoenix Contact 2023 © - all rights reserved
<https://www.phoenixcontact.com>

PHOENIX CONTACT GmbH & Co. KG
Flachmarktstraße 8
D-32825 Blomberg
+49 (0) 5235-3 00
info@phoenixcontact.com