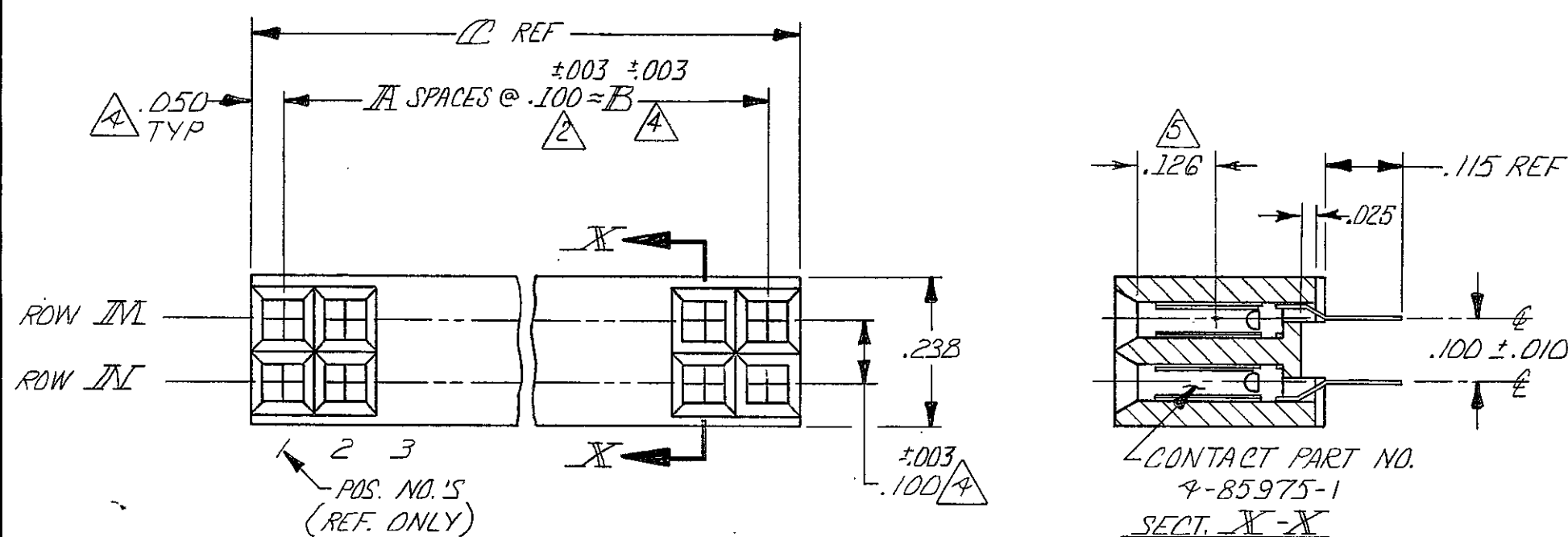
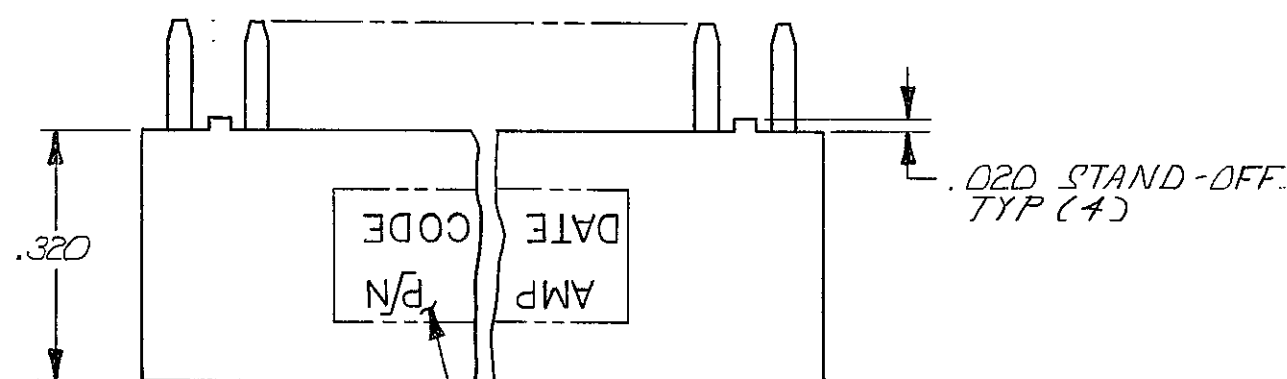


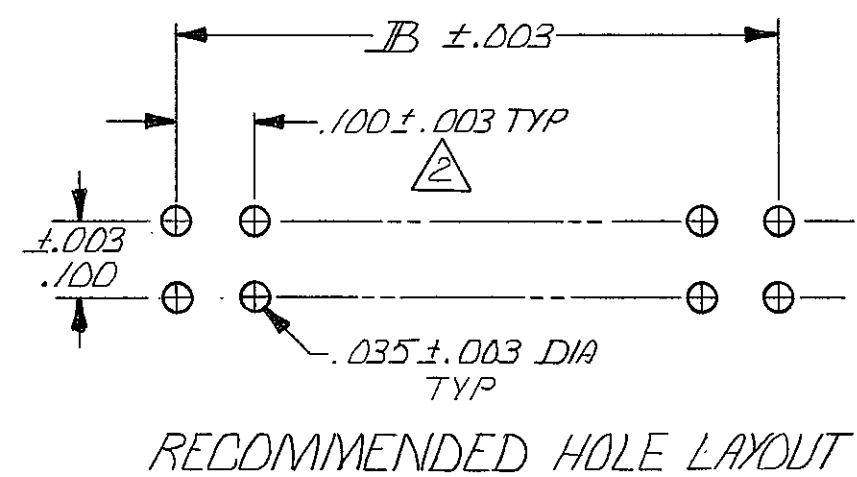
THIS DRAWING IS UNPUBLISHED. RELEASED FOR PUBLICATION JUNE 8, 1983.
 © COPYRIGHT 1983 BY AMP INCORPORATED, HARRISBURG, PA. ALL INTERNATIONAL RIGHTS RESERVED. AMP PRODUCTS MAY BE COVERED BY U.S. AND FOREIGN PATENTS AND/OR PATENTS PENDING.

REVISIONS					
P	F	ZONE	LTR	DESCRIPTION	DATE APPROVED
0	✓		D	REL. WAS 5220-28-6 DUST	
✓	✓		A	ECN AD-2637	TH 6/83
✓	✓		B	REV PER 0010-0720-93	RAC 9-93
✓	✓		C	REV PER 0010-1604-94	RS 5/85
✓	✓		D	EC 0010-0710-96	LB 9/17/96
✓	✓		E	REV PER 0621-0129-98	WYK ML



- 1 HOT EMBOSS AMP TRADEMARK AND DATE CODE WITH .062±.015 CHARACTERS AS PART SIZE PERMITS. THE ORDER AND LOCATION IS OPTIONAL.
- 2 TOLERANCE NON-CUMULATIVE.
- 3 DUPLEX PLATED - .000030 GOLD IN CONTACT AREA, .000100 - .000200 BRIGHT TIN-LEAD ON SOLDER TINES, ALL OVER .000050 NICKEL.
- 4 THESE DIMENSIONS PERTAIN TO CAVITY CENTERLINES ONLY - NOT CONTACT LOCATIONS.
- 5 POINT OF MEASUREMENT FOR PLATING THICKNESS (MEASURED INSIDE CONTACT BEAMS).

9. OBSOLETE PART NUMBER



NO. OF ACTIVE POS.	ROW VI	ROW VII	C	B	A	NO. OF POS.	PART NO	
OBSOLETE	30	1, 2, 18, 19	1, 2, 18, 19	1.900	1.800	18	38	103292-3
	40	1, 2, 23, 24	1, 2, 23, 24	2.400	2.300	23	48	103292-2
	52	1, 2, 29, 30	1, 2, 29, 30	3.000	2.900	29	60	103292-1

UNLESS OTHERWISE SPECIFIED DIMENSIONS ARE IN INCHES. TOLERANCES ON: DECIMALS ± .005 ANGLES ± .005 MATERIAL HOUSING: FLAME RETARDANT THERMOPLASTIC, COLOR: BROWN CONTACTS: PHOS. BRONZE FINISH CONTACTS: 3	CONTRACT NO DR B.A. Cook 6-8-83 CHK D. B. Baker 7-15-83 APPD J. J. Wanner 7-15-83 APPD W. Barry 7-18-83 DSGN APPD OTHER APPD	AMP AMP INCORPORATED Harrisburg, Pa. 17105	
	NAME ASSY, MOD II, DOUBLE ROW, .100X.100 VERTICAL MOUNTED, SELECTIVELY LOADED		SIZE C FSCM NO 00779 DRAWING NO 103292
	SCALE _____ SHEET 1 OF 1		

103292