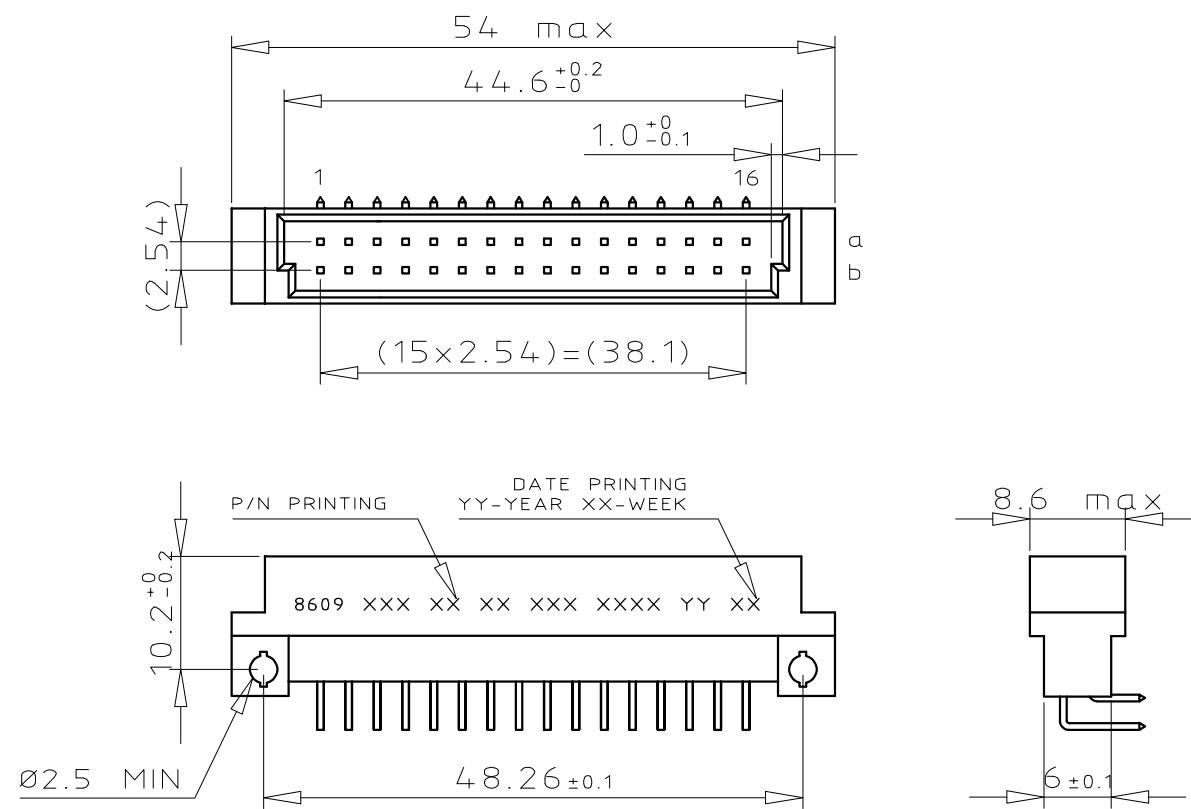
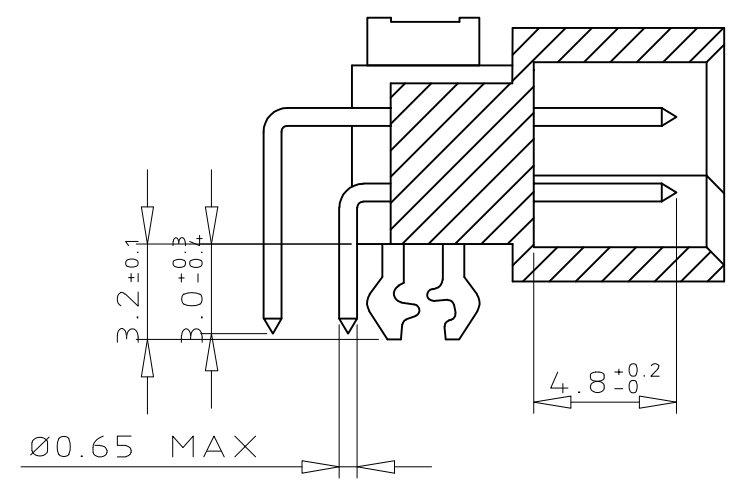


# DIMENSIONS



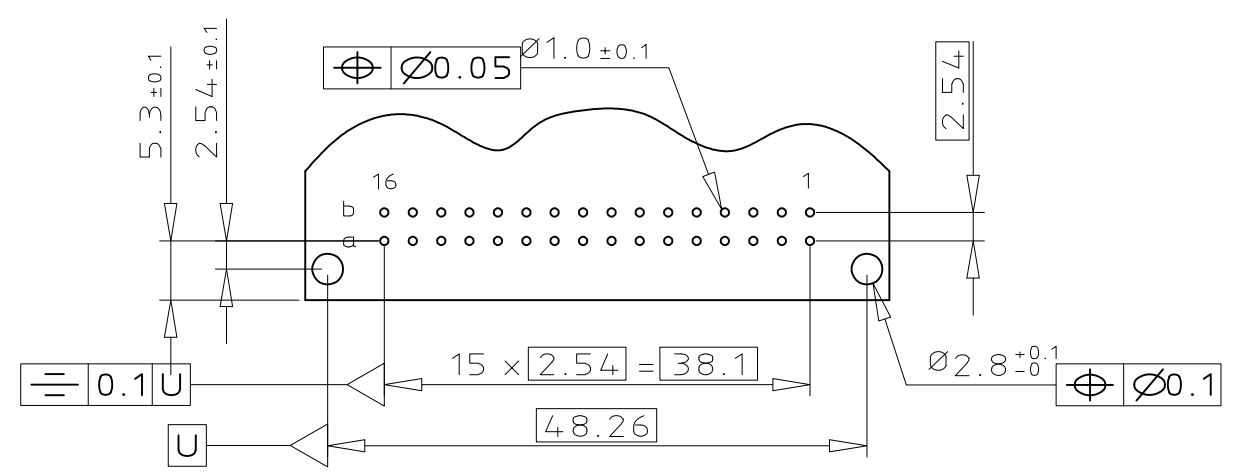
# TERMINATION



# ORDERING INFORMATION

SERIES	8609	2	32	5	3	13	7	4	5	ELF
ROWS FITTED WITH CONTACTS										
ROW a b	..		..		..		..		..	
ROW a -	..		..		..		..		..	
NO. OF CONTACTS	32		16							
TYPE OF INSULATOR										
2 ROW MALE INSULATOR	..5									
METHOD OF MOUNTING										
STANDARD MOUNTING - STYLE B/2	..3									
TERMINATION										
ANGLED SPILL	..13									
OPTIONS										
NO OPTION	..7									
WITH HARPOONS	..H									
PERFORMANCE CLASS										
DIN 41612 CLASS 3	..4									
DIN 41612 CLASS 2	..5									
DIN 41612 CLASS 1	..6									
AS PER MIL C 55302 / JSS 50808	..8									
PITCH PER ROW										
2.54 mm	..5									
LEAD FREE VERSION	..ELF									

# PCB LAYOUT



GENERAL CHARACTERISTICS & RoHS INFO

REFER DRAWING C-8609-0000A

mat'l. code		surface		tolerance		projection		product family	
SEE DWG C-8609-0000A		ISO 1302 ✓		ISO 406 ISO 1101		mm		8609	
ltr		ecn no		dr		date		title	
A		I04-0063		MINI		2004-09-17		DIN STANDARD HEADER	
B		I05-0089		MINI		2005-05-19		ANGLED SPILL DIN 41612 STYLE B/2	
C		I06-0061		MINI		2006-05-31		scale 3:2	
D		I07-0155		KR		2007-11-14		dwg no	
E		I08-0146		KR		2008-10-21		sheet 1 of 1	
F		ELX-I-40953		MJA		2021-05-19		size	
								C-8609-2009	
								A3	
								type Product Customer Drawing	
sheet index		revision		F					
		sheet		1					