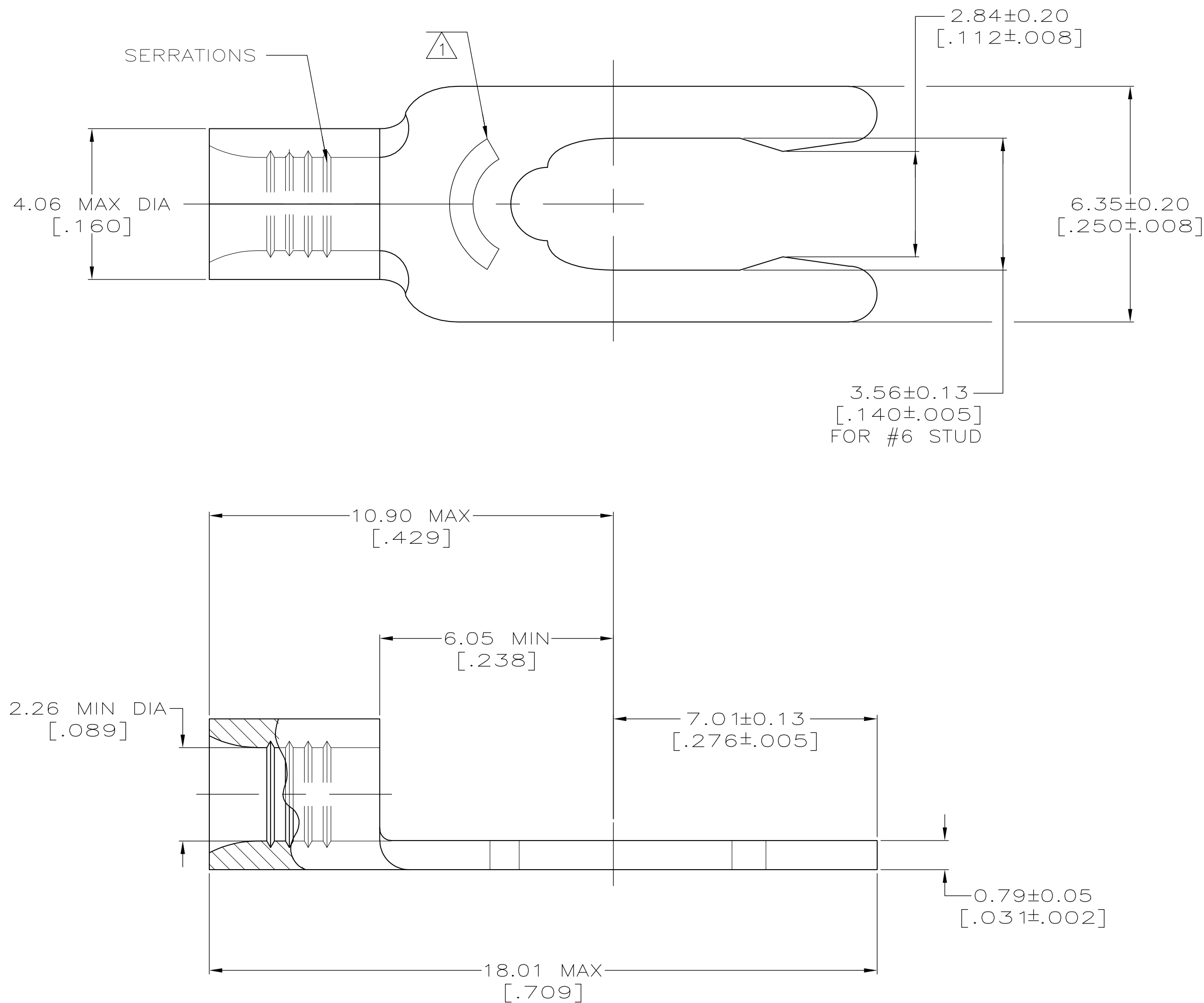


THIS DRAWING IS UNPUBLISHED. RELEASED FOR PUBLICATION
 © COPYRIGHT BY TYCO ELECTRONICS CORPORATION. ALL INTERNATIONAL RIGHTS RESERVED.

| LOC | DIST | REVISIONS | | | | | |
|-----|------|-----------|-----|---------------------------|---------|-----|------|
| | | P | LTR | DESCRIPTION | DATE | DWN | APVD |
| G | 14 | | | | | | |
| | | A1 | | REVISED PER ECR 10-010105 | 11MAY10 | JR | TM |



| | | |
|--------------------------|-----------------------|---------------------|
| AMP WIRE RANGE | Listed FILE E13288 | LR7189 Certified |
| 16-14 AWG STRANDED | 16-14 AWG STRANDED | NOT CERTIFIED |

- 1 STAMP 6S AMP 16-14* APPROX AS SHOWN
6S INDICATES STUD SIZE
- 2 PHOSPHOR BRONZE PER ASTM B-103, ANNEALED
- 3 0.00254 [.000100] MIN TIN PLATE
PER ASTM B-545

52703-1
PART NO.

| | | | | | | | | | |
|--|--|---|--|---|--|--------------------------|--|---|--|
| CUSTOMER SERVICE SYSTEMS | | MAX RECOMMENDED OPERATING TEMPERATURE: 170°C MAX | | THIS DRAWING IS A CONTROLLED DOCUMENT. | | DWN TA BRINKMAN 2-15-93 | | Tyco Electronics Corporation Harrisburg, PA 17105-3608 | |
| FOR ADDITIONAL PRODUCT INFORMATION OR COPIES OF DRAWINGS AND TECHNICAL DOCUMENTS | | PRODUCT INFORMATION CENTER 1-800-522-6752 | | DIMENSIONS: MM [INCHES] | | CHK DA PATTERSON 2-15-93 | | NAME | |
| FOR APPLICATION TOOLING INFORMATION | | TOOLING ASSISTANCE CENTER 1-800-722-1111 | | TOLERANCES UNLESS OTHERWISE SPECIFIED: | | APVD JL MECKLEY 2-15-93 | | TERMINAL, LONG SPRING SPADE, BUDGET | |
| FOR ORDER ENTRY | | 1-800-526-5142 | | VOLTAGE RATING: -- | | PRODUCT SPEC | | SIZE CAGE CODE DRAWING NO | |
| | | | | CIRCULAR MIL AREA: 1.04-2.62mm² [2,050-5,180] STRANDED | | APPLICATION SPEC | | RESTRICTED TO | |
| | | | | MATERIAL - 2 | | FINISH - 3 | | A2 00779 C=52703 | |
| | | | | THIS DRAWING IS A CONTROLLED DOCUMENT FOR AMP INCORPORATED. IT IS SUBJECT TO CHANGE AND THE CONTROLLING ENGINEERING ORGANIZATION SHOULD BE CONTACTED FOR THE LATEST REVISION. | | WEIGHT -- | | SCALE 10:1 SHEET 1 OF 1 REV A1 | |
| | | | | | | CUSTOMER DRAWING | | | |