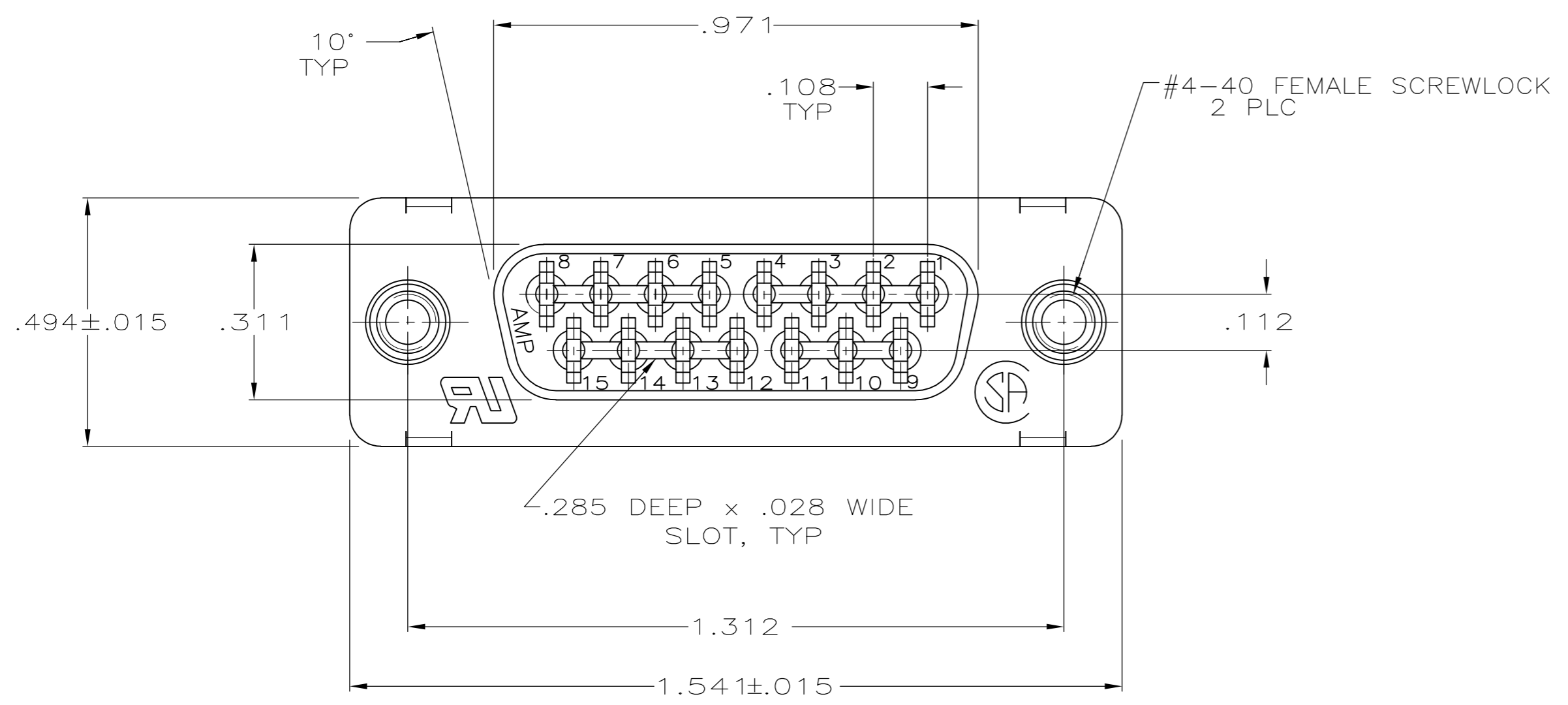
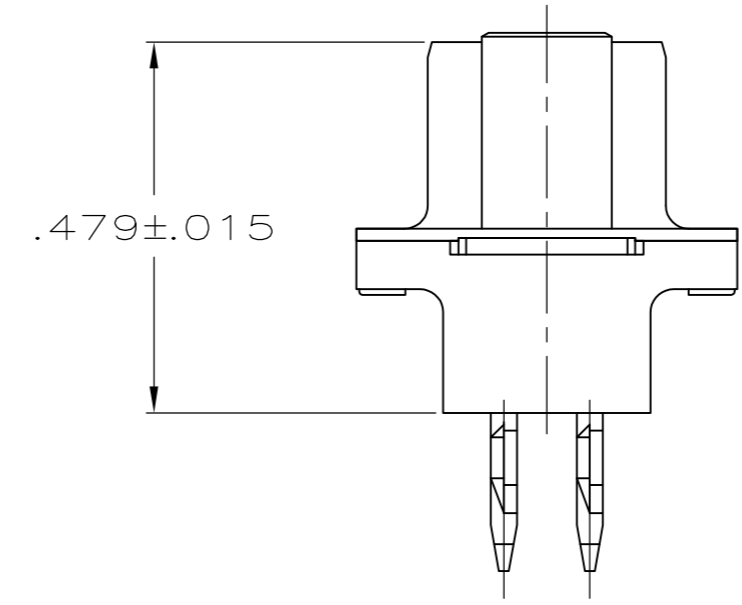
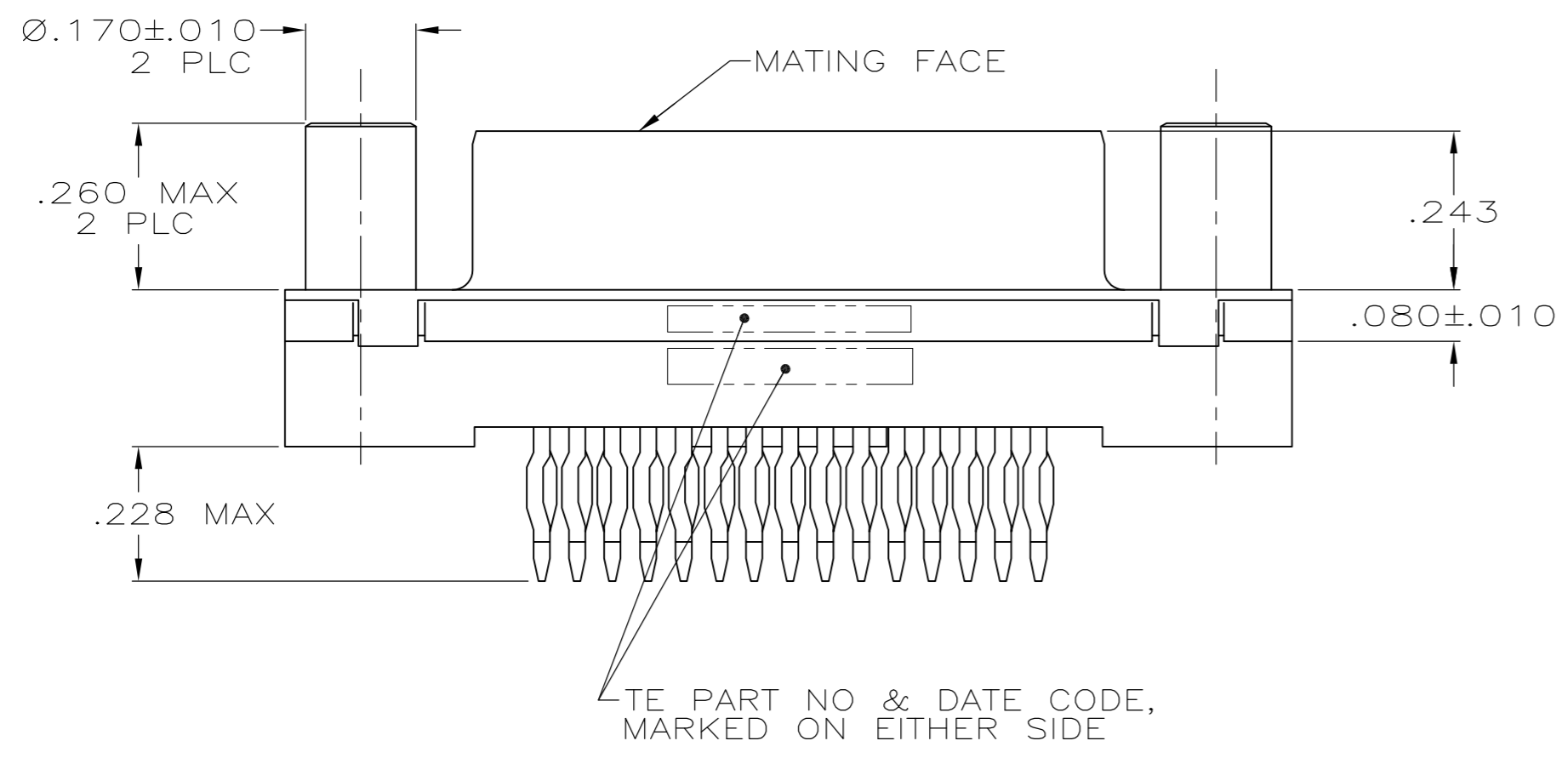


THIS DRAWING IS UNPUBLISHED. RELEASED FOR PUBLICATION  
 © COPYRIGHT - By - ALL RIGHTS RESERVED.

| LOC |     | DIST        |  | REVISIONS                 |           |      |     |
|-----|-----|-------------|--|---------------------------|-----------|------|-----|
| P   | LTR | DESCRIPTION |  | DATE                      | DWN       | APVD |     |
| GP  | 00  | C           |  | REVISED PER ECO-12-000090 | 26JAN2012 | CJV  | SLB |



- 1 FOR USE WITH .093 MINIMUM THICK PRINTED CIRCUIT BOARD. REFER TO APPLICATION SPECIFICATION FOR PRINTED CIRCUIT BOARD LAYOUT DIMENSIONS AND FINISH RECOMMENDATIONS.
- 2 HOUSING: FLAME RETARDANT 94V-0 RATED THERMOPLASTIC, COLOR BLACK  
 CONTACTS: COPPER-NICKEL ALLOY.  
 SHELL: CARBON STEEL.  
 SCREWLOCKS: ZINC ALLOY.
- 3 CONTACTS:  
 0.76 MICRO METERS [.000030] MINIMUM GOLD IN MATING AREA.  
 2.54 MICRO METERS [.000100] MINIMUM TIN ON COMPLIANT PIN.  
 ALL OVER 1.27 MICRO METERS [.000050] MINIMUM NICKEL  
 OR  
 GOLD FLASH OVER PALLADIUM NICKEL,  
 0.76 MICRO METERS [.000030] MINIMUM TOTAL IN MATING AREA.  
 2.54 MICRO METERS [.000100] MINIMUM TIN ON COMPLIANT PIN.  
 ALL OVER 1.27 MICRO METERS [.000050] MINIMUM NICKEL.



**COPYRIGHT 2005  
 TYCO ELECTRONICS CORP  
 ALL RIGHTS RESERVED**

5747142-2  
 PART NO

|  |  |                                 |  |                 |
|--|--|---------------------------------|--|-----------------|
| THIS DRAWING IS A CONTROLLED DOCUMENT. DIMENSIONING AND TOLERANCING PER ASME Y14.5M-2009 |  | DWN G. ATTADIA - DOCK5 02-16-05 | <b>TE</b> TE Connectivity  |                 |
| DIMENSIONS: INCHES   |  | CHK S. BOLASH 02-16-05          |  |                 |
| TOLERANCES UNLESS OTHERWISE SPECIFIED:   |  | APVD M. WALMSLEY 02-16-05       | NAME RCPT ASSY, SIZE 2, 15 POSN, AMPLIMITE HDP, MDM PROFILE, W/ ACTION PIN CONT & METAL SHELL. #4-40 FEMALE SCREWLOCKS |                 |
| 0 PLC ± -  |  | PRODUCT SPEC 108-40014          | SIZE A2  | CAGE CODE 00779 |
| 1 PLC ± -  |  | APPLICATION SPEC 114-40026      | DRAWING NO C=5747142   | RESTRICTED TO - |
| 2 PLC ± -  |  |                                 | SCALE 4:1  | SHEET 1 of 1    |
| 3 PLC ± .005   |  |                                 | REV C  |                 |
| 4 PLC ± -  |  |                                 |  |                 |
| ANGLES ± 2°  |  |                                 |  |                 |
| MATERIAL   |  | WEIGHT -                        |  |                 |
| FINISH   |  |                                 |  |                 |
| CUSTOMER DRAWING   |  |                                 |  |                 |