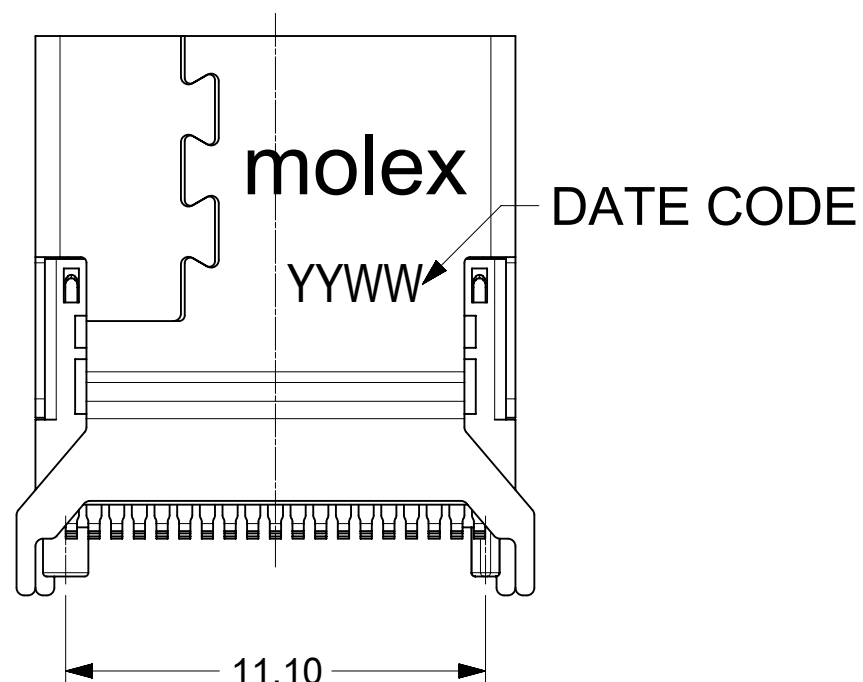
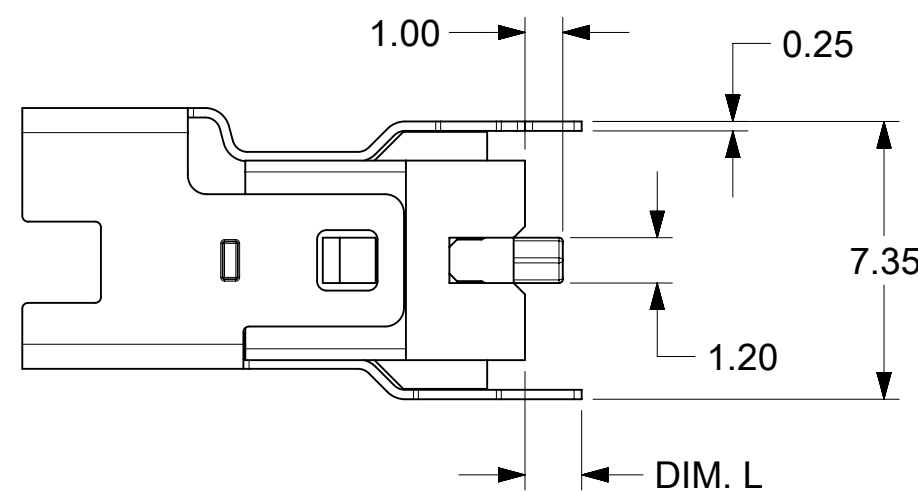
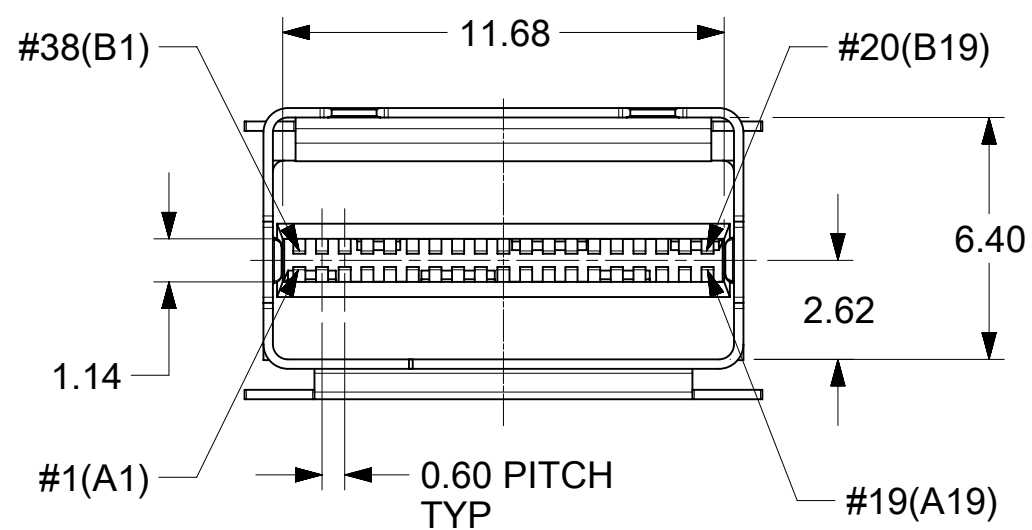
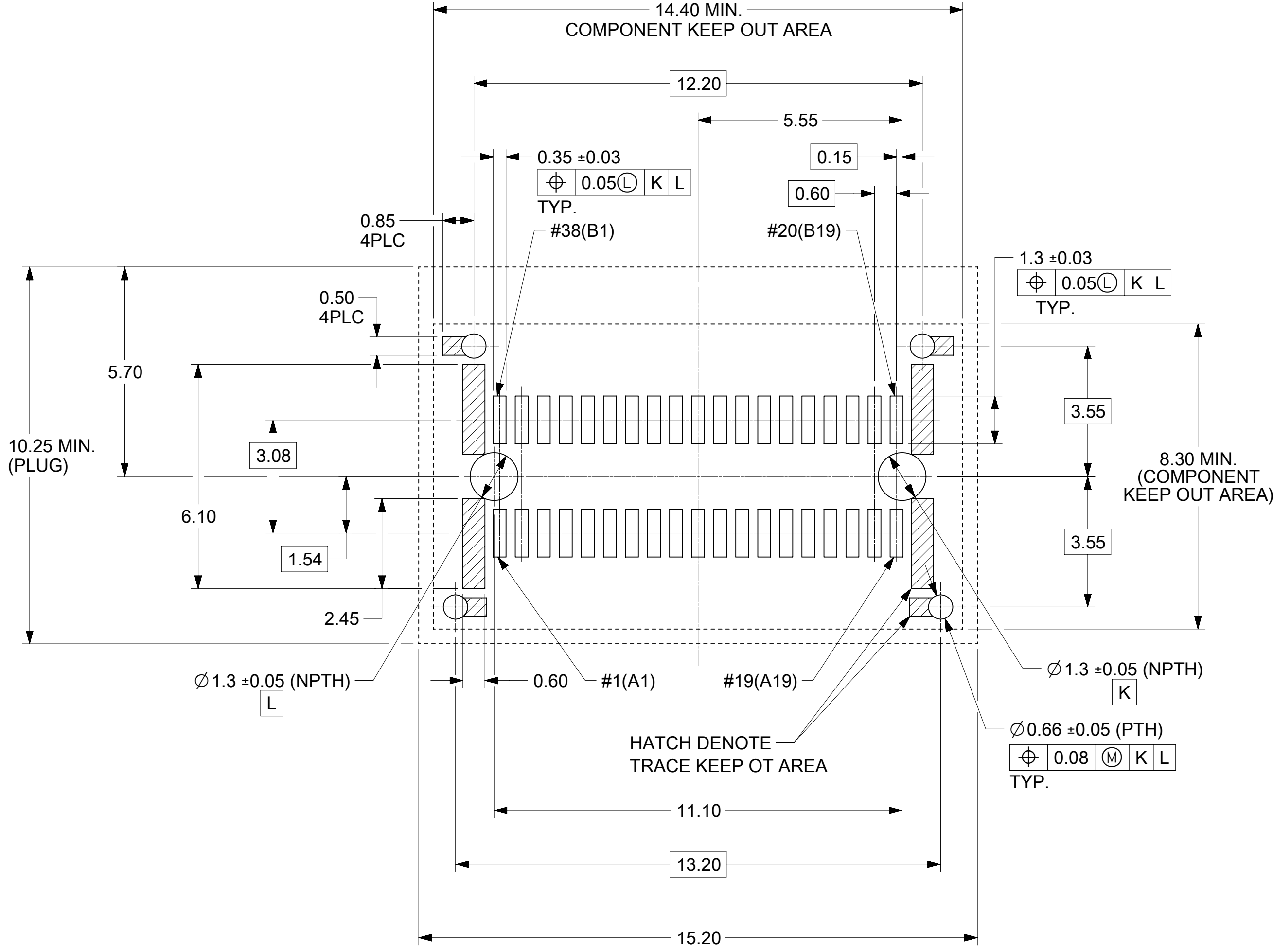


- NOTE:
- MATERIAL:
 - HOUSING : LCP, UL94-V0, BLACK OR NATURAL COLOR
 - INSERT MOLD: LCP, UL94-V0, BLACK COLOR
 - CONTACT: COPPER ALLOY
 - GROUND: COPPER ALLOY
 - SHELL: NICKEL SILVER
 - FINISH:
 - CONTACT:
 - GOLD PLATING (SEE TABLE) ON CONTACT AREA
 - 100u" MIN. MATTE TIN PLATING ON SOLDERTAIL
 - 50u" MIN. NICKEL UNDER PLATING OVERALL
 - GROUND:
 - 50u" MIN. NICKEL PLATING OVERALL
 - SOLDERTAILS COPLANARITY TO BE 0.1 MAXIMUM.
 - ROHS COMPLIANT



NATURAL	0.375um[15u"]	4.2	2119661118
		3.0	2119661117
		2.2	2119661116
	0.75um[30u"]	1.5	2119661115
		4.2	2119661114
		3.0	2119661113
BLACK	0.375um[15u"]	2.2	2119661112
		1.5	2119661111
		4.2	2119661108
	0.75um[30u"]	3.0	2119661107
		2.2	2119661106
		1.5	2119661105
HSG COLOR	GOLD PLATING	4.2	2119661104
		3.0	2119661103
		2.2	2119661102
		1.5	2119661101
		DIM. L	PART NUMBER

FUNCTIONAL SYMBOLS FA = 0 EA = 0 PA = 0	THIS DRAWING CONTAINS INFORMATION THAT IS PROPRIETARY TO MOLEX ELECTRONIC TECHNOLOGIES, LLC AND SHOULD NOT BE USED WITHOUT WRITTEN PERMISSION		CURRENT REV DESC:		
	DIMENSION UNITS	SCALE	EC NO: 690306		
	mm	5:1	DRWN: ETSENG 2021/12/27		
	GENERAL TOLERANCES (UNLESS SPECIFIED)		CHK'D: ETSENG 2021/12/30		
ANGULAR TOL ± °		APPR: VPENG01 2021/12/30		PRODUCT CUSTOMER DRAWING	
4 PLACES ±		INITIAL REVISION:		DOCUMENT NUMBER	
3 PLACES ± 0.15		DRWN: SHOU 2019/11/15		2119661101	
2 PLACES ± 0.25		APPR: ETSENG 2020/02/05		DOC TYPE DOC PART REVISION	
1 PLACE ± 0.35		THIRD ANGLE PROJECTION		PSD 000 D	
0 PLACES ±		DRAWING SERIES		MATERIAL NUMBER CUSTOMER SHEET NUMBER	
DRAFT WHERE APPLICABLE MUST REMAIN WITHIN DIMENSIONS		C-SIZE 211966		SEE TABLE 1 OF 2	



FUNCTIONAL SYMBOLS $\nabla_A = 0$ $\nabla_C = 0$ $\nabla_P = 0$	THIS DRAWING CONTAINS INFORMATION THAT IS PROPRIETARY TO MOLEX ELECTRONIC TECHNOLOGIES, LLC AND SHOULD NOT BE USED WITHOUT WRITTEN PERMISSION		CURRENT REV DESC:				
	DIMENSION UNITS	SCALE	EC NO: 690306				
	mm	10:1	DRWN: ETSENG 2021/12/27				
	GENERAL TOLERANCES (UNLESS SPECIFIED)		CHK'D: ETSENG 2021/12/30				
ANGULAR TOL ± °		APPR: VPENG01 2021/12/30		PRODUCT CUSTOMER DRAWING			
4 PLACES ±		INITIAL REVISION:		DOCUMENT NUMBER	DOC TYPE	DOC PART	REVISION
3 PLACES ± 0.15		DRWN: SHOU 2019/11/15		2119661101	PSD	000	D
2 PLACES ± 0.25		APPR: ETSENG 2020/02/05		MATERIAL NUMBER	CUSTOMER		SHEET NUMBER
1 PLACE ± 0.35		DRAFT WHERE APPLICABLE MUST REMAIN WITHIN DIMENSIONS		SEE TABLE			2 OF 2
0 PLACES ±		THIRD ANGLE PROJECTION	DRAWING	SERIES			
			C-SIZE	211966			